



Common Mode Choke ~ CMT2915B SERIES



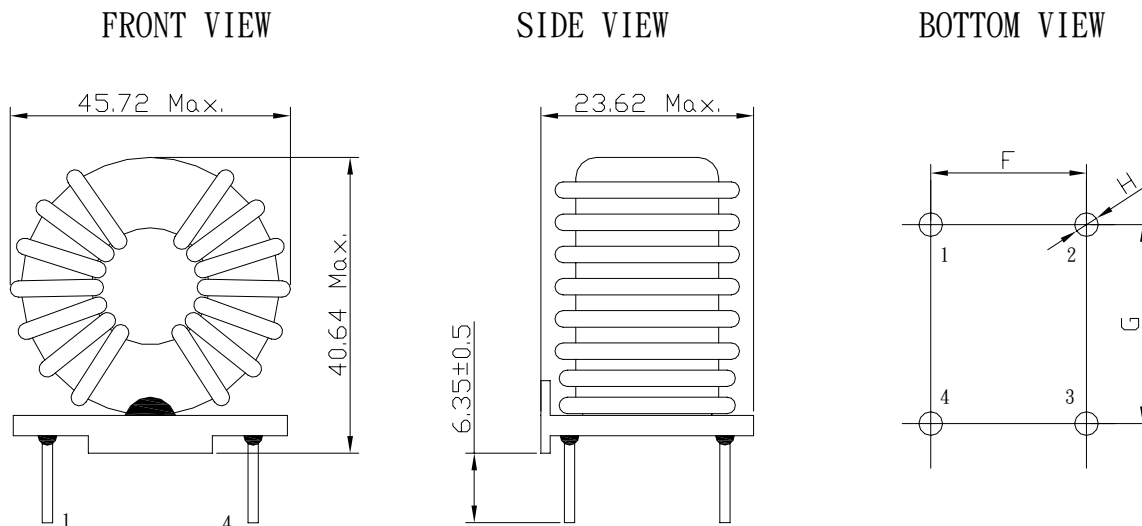
RoHS Compliant

PART NUMBERING SYSTEM

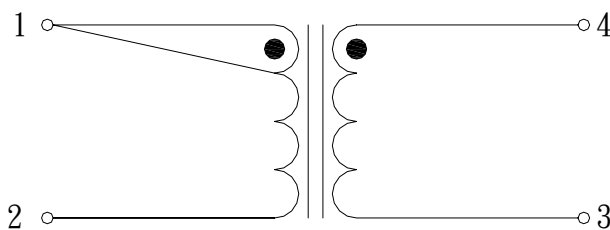
CMT	2915B	—	212N	—	LF
TYPE	DIMENSIONS		IMPEDANCE		LEAD FREE

SHAPES AND DIMENSIONS

UNIT : mm



SCHEMATIC DRAWING





Common Mode Choke ~ CMT2915B SERIES



RoHS Compliant

SPECIFICATION TABLE

PART NUMBER	INDUCTANCE (mH)	DCR (mΩ) (max)	I _{rms} (A) (max)	TEST FREQ. (f)	Dimension G(mm)	Dimension F(mm)	Dimension H(mm)
CMT2915B-501-LF	0.5Min.	9.6	20.0	100KHz	22.86	15.24	2.08
CMT2915B-182N-LF	1.8±30%	6.4	19.4	1KHz	22.86	15.24	1.85
CMT2915B-212N-LF	2.18±30%	6.0	27.3	1KHz	22.86	15.24	1.85
CMT2915B-252-LF	2.5Min.	15.0	9.0	1KHz	22.86	15.24	1.52
CMT2915B-361-LF	3.6Min.	13.0	10.0	10KHz	22.86	15.24	1.85
CMT2915BF-221N-LF	0.228±30%	1.20	40.0	10KHz	30.48	17.78	5.08
CMT2915BF-401N-LF	0.405±30%	1.89	31.9	10KHz	30.48	17.78	2.54
CMT2915BF-511N-LF	0.513±30%	3.01	25.3	10KHz	30.48	17.78	2.31
CMT2915BF-631N-LF	0.633±30%	3.58	23.2	10KHz	30.48	17.78	2.08
CMT2915BF-911N-LF	0.912±30%	5.11	19.4	10KHz	30.48	17.78	1.88
CMT2915BF-122N-LF	1.24±30%	7.41	16.1	10KHz	30.48	17.78	1.70
CMT2915BF-162N-LF	1.62±30%	10.23	13.7	10KHz	30.48	17.78	1.55
CMT2915BF-202N-LF	2.05±30%	14.55	11.5	10KHz	30.48	17.78	1.40
CMT2915BF-252N-LF	2.53±30%	20.97	9.6	10KHz	30.48	17.78	1.02
CMT2915BF-362N-LF	3.64±30%	30.91	7.9	10KHz	30.48	17.78	1.17
CMT2915BF-422N-LF	4.28±30%	43.54	6.7	10KHz	30.48	17.78	1.07
CMT2915BF-602N-LF	6.08±30%	65.30	5.4	10KHz	30.48	17.78	0.97
CMT2915BF-682N-LF	6.89±30%	86.41	4.7	10KHz	30.48	17.78	0.89
CMT2915BF-822N-LF	8.21±30%	112.02	4.1	10KHz	30.48	17.78	0.81
CMT2915BF-103N-LF	10.64±30%	160.00	3.5	10KHz	30.48	17.78	0.76

- Inductance is measured with a LCR meter 4284A or equivalent.
- Test voltage : 1500V, 50Hz , 5mA , 2sec.
- Operating temperature range -40°C to +125°C
- Electrical specifications at 25°C



Common Mode Choke ~ CMT2915B SERIES



RoHS Compliant

SPECIFICATION TABLE

PART NUMBER	INDUCTANCE (mH)	DCR (mΩ) (max)	I _{rms} (A) (max)	TEST FREQ. (f)	Dimension G(mm)	Dimension F(mm)	Dimension H(mm)
CMT2915BF-133N-LF	13.40±30%	230.00	2/9	10KHz	30.48	17.78	0.71
CMT2915BT-221N-LF	0.456±30%	1.20	40.0	10KHz	30.48	17.78	5.08
CMT2915BT-401N-LF	0.811±30%	1.89	31.9	10KHz	30.48	17.78	2.54
CMT2915BT-511N-LF	1.02±30%	3.01	25.3	10KHz	30.48	17.78	2.31
CMT2915BT-631N-LF	1.26±30%	3.58	23.2	10KHz	30.48	17.78	2.08
CMT2915BT-911N-LF	1.82±30%	5.11	19.4	10KHz	30.48	17.78	1.88
CMT2915BT-122N-LF	2.48±30%	7.41	16.1	10KHz	30.48	17.78	1.70
CMT2915BT-162N-LF	3.24±30%	10.23	13.7	10KHz	30.48	17.78	1.55
CMT2915BT-202N-LF	4.10±30%	14.55	11.5	10KHz	30.48	17.78	1.40
CMT2915BT-252N-LF	5.06±30%	20.97	9.6	10KHz	30.48	17.78	1.02
CMT2915BT-362N-LF	7.29±30%	30.91	7.9	10KHz	30.48	17.78	1.17
CMT2915BT-422N-LF	8.56±30%	43.54	6.7	10KHz	30.48	17.78	1.07
CMT2915BT-602N-LF	12.17±30%	65.30	5.4	10KHz	30.48	17.78	0.97
CMT2915BT-682N-LF	13.79±30%	86.41	4.7	10KHz	30.48	17.78	0.89
CMT2915BT-221N-LF	16.42±30%	112.02	4.1	10KHz	30.48	17.78	0.81
CMT2915BT-221N-LF	21.29±30%	160.00	3.5	10KHz	30.48	17.78	0.76
CMT2915BT-221N-LF	26.80±30%	230.00	2/9	10KHz	30.48	17.78	0.71

- Inductance is measured with a LCR meter 4284A or equivalent.
- Test voltage : 1500V, 50Hz , 5mA , 2sec.
- Operating temperature range -40°C to +125°C
- Electrical specifications at 25°C