



Common Mode Choke ~ CMT2908B SERIES



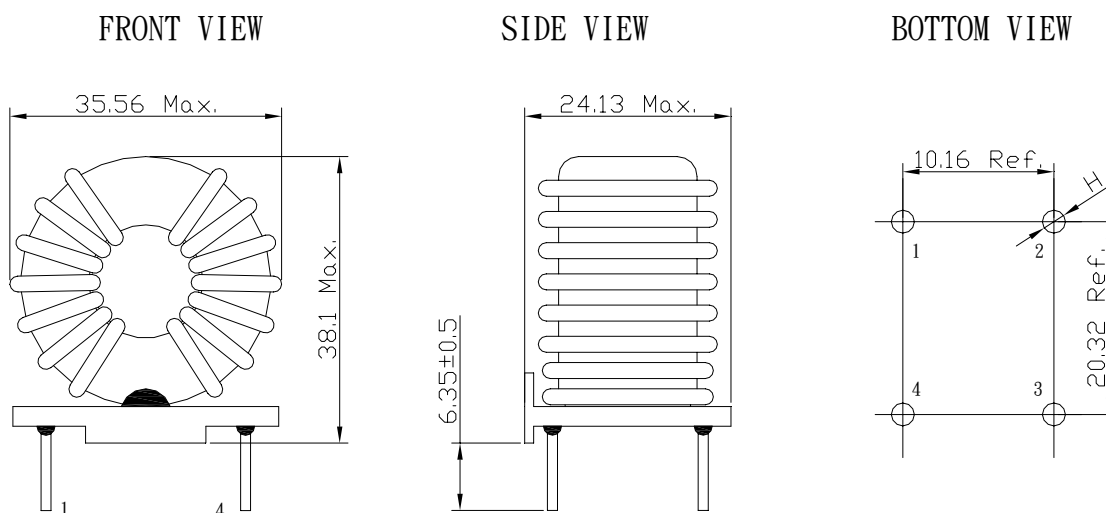
RoHS Compliant

PART NUMBERING SYSTEM

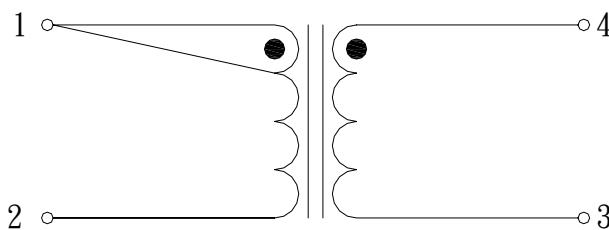
<u>CMT</u>	<u>2908B</u>	—	<u>212N</u>	—	<u>LF</u>
TYPE	DIMENSIONS		IMPEDANCE		LEAD FREE

SHAPES AND DIMENSIONS

UNIT : mm



SCHEMATIC DRAWING





Common Mode Choke ~ CMT2908B SERIES



RoHS Compliant

SPECIFICATION TABLE

PART NUMBER	INDUCTANCE (mH)	DCR (mΩ) (max)	I _{rms} (A) (max)	TEST FREQ. (f)	Dimension H(mm)
CMT2908B-501-LF	0.225Min.	9.0	20.0	100KHz	2.08
CMT2908B-182-LF	7.10Min.	85.0	2.56	10KHz	1.55
CMT2908B-212-LF	14.0Min.	113.0	1.00	1KHz	0.91

- Inductance is measured with a LCR meter 4284A or equivalent.
- Test voltage : 1500V, 50Hz , 5mA , 2sec.
- Operating temperature range -40°C to +125°C
- Electrical specifications at 25°C