



## Common Mode Choke ~ CMT2620B SERIES



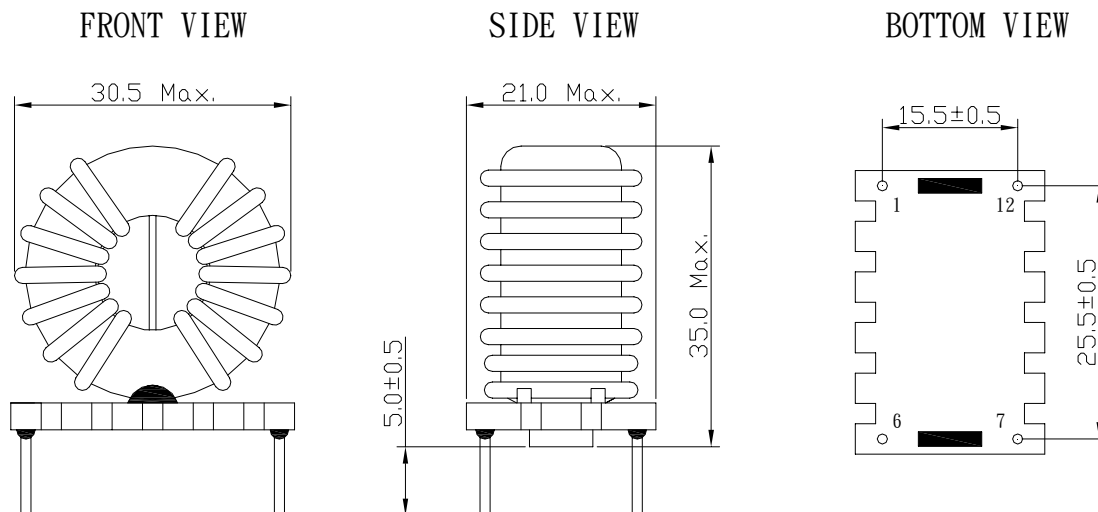
RoHS Compliant

### PART NUMBERING SYSTEM

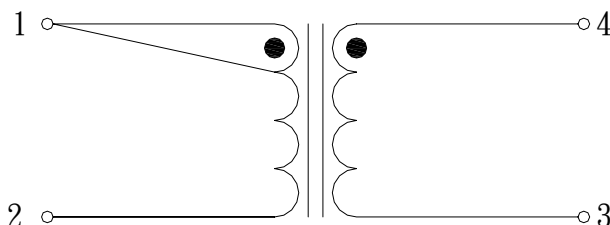
<u><b>CMT</b></u>	<u><b>2620B</b></u>	—	<u><b>102N</b></u>	—	<u><b>LF</b></u>
TYPE	DIMENSIONS		IMPEDANCE		LEAD FREE

### SHAPES AND DIMENSIONS

UNIT : mm



### SCHEMATIC DRAWING





## Common Mode Choke ~ CMT2620B SERIES



RoHS Compliant

### SPECIFICATION TABLE

PART NUMBER	INDUCTANCE (mH)	DCR (mΩ) (max)	IDC ( A ) (max)	NOMINAL VOLTAGE V <sub>AC</sub>	TEST FREQ. ( f )
CMT2620B-102N-LF	1.0±30%	9	12.0	250	10KHz
CMT2620B-142N-LF	1.4±30%	19	8.0	250	10KHz
CMT2620B-192N-LF	1.9±30%	19	7.0	250	10KHz
CMT2620B-222N-LF	2.2±30%	14	8.0	250	10KHz
CMT2620B-332N-LF	3.3±30%	25	6.0	250	10KHz
CMT2620B-402N-LF	4.0±30%	45	4.0	250	10KHz
CMT2620B-502N-LF	5.0±30%	45	6.0	250	10KHz
CMT2620B-702N-LF	7.0±30%	80	3.5	250	10KHz
CMT2620B-103N-LF	10.0±30%	55	5.0	250	10KHz
CMT2620B-203N-LF	20.0±30%	160	3.0	250	10KHz

- Inductance is measured with a LCR meter 4284A or equivalent.
- Test voltage : 1500V, 50Hz , 5mA , 2sec.
- Operating temperature range -40°C to +125°C
- Electrical specifications at 25°C