



Common Mode Choke ~ CMT2513B SERIES



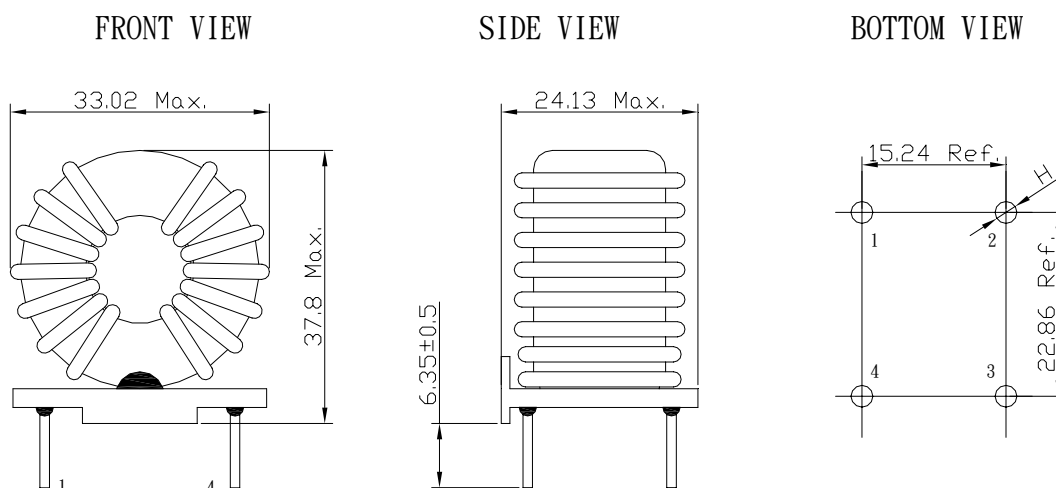
RoHS Compliant

PART NUMBERING SYSTEM

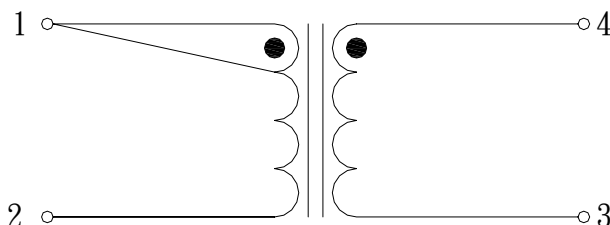
<u>CMT</u>	<u>2513B</u>	—	<u>102N</u>	—	<u>LF</u>
TYPE	DIMENSIONS		IMPEDANCE		LEAD FREE

SHAPES AND DIMENSIONS

UNIT : mm



SCHEMATIC DRAWING





Common Mode Choke ~ CMT2513B SERIES



RoHS Compliant

SPECIFICATION TABLE

PART NUMBER	INDUCTANCE (mH)	DCR (mΩ) (max)	I _{rms} (A) (max)	TEST FREQ. (f)	Dimension B(mm)	Dimension E(mm)	Dimension H(mm)
CMT2513BF-161N-LF	0.166±30%	1.54	32.0	10KHz	22.68	15.24	2.08
CMT2513BF-421N-LF	0.425±30%	3.11	22.6	10KHz	22.68	15.24	1.88
CMT2513BF-661N-LF	0.663±30%	5.11	17.7	10KHz	22.68	15.24	1.70
CMT2513BF-801N-LF	0.803±30%	6.78	15.3	10KHz	22.68	15.24	1.55
CMT2513BF-112N-LF	1.12±30%	9.84	12.7	10KHz	22.68	15.24	1.40
CMT2513BF-132N-LF	1.30±30%	13.70	10.8	10KHz	22.68	15.24	1.02
CMT2513BF-192N-LF	1.91±30%	20.00	8.9	10KHz	22.68	15.24	1.17
CMT2513BF-212N-LF	2.14±30%	27.80	7.6	10KHz	22.68	15.24	1.07
CMT2513BF-262N-LF	2.65±30%	38.94	6.4	10KHz	22.68	15.24	0.97
CMT2513BF-322N-LF	3.21±30%	54.30	5.4	10KHz	22.68	15.24	0.89
CMT2513BF-352N-LF	3.50±30%	71.10	4.7	10KHz	22.68	15.24	0.81
CMT2513BF-482N-LF	4.83±30%	94.03	4.1	10KHz	22.68	15.24	0.76
CMT2513BF-672N-LF	6.79±30%	157.5	3.2	10KHz	22.68	15.24	0.71
CMT2513BT-331N-LF	0.332±30%	1.54	32.0	10KHz	22.68	15.24	2.08
CMT2513BT-851N-LF	0.850±30%	3.11	22.6	10KHz	22.68	15.24	1.88
CMT2513BT-132N-LF	1.32±30%	5.11	17.7	10KHz	22.68	15.24	1.70
CMT2513BT-162N-LF	1.60±30%	6.78	15.3	10KHz	22.68	15.24	1.55
CMT2513BT-222N-LF	2.24±30%	9.84	12.7	10KHz	22.68	15.24	1.40
CMT2513BT-262N-LF	2.60±30%	13.70	10.8	10KHz	22.68	15.24	1.02
CMT2513BT-382N-LF	3.83±30%	20.00	8.9	10KHz	22.68	15.24	1.17
CMT2513BT-422N-LF	4.29±30%	27.80	7.6	10KHz	22.68	15.24	1.07
CMT2513BT-532N-LF	5.30±30%	38.94	6.4	10KHz	22.68	15.24	0.97
CMT2513BT-642N-LF	6.42±30%	54.30	5.4	10KHz	22.68	15.24	0.89
CMT2513BT-702N-LF	7.01±30%	71.10	4.7	10KHz	22.68	15.24	0.81
CMT2513BT-962N-LF	9.67±30%	94.03	4.1	10KHz	22.68	15.24	0.76
CMT2513BT-133N-LF	13.58±30%	157.5	3.2	10KHz	22.68	15.24	0.71

- Inductance is measured with a LCR meter 4284A or equivalent.
- Test voltage : 1500V, 50Hz , 5mA , 2sec.
- Operating temperature range -40°C to +125°C
- Electrical specifications at 25°C