



## Common Mode Choke ~ CMT2010B SERIES



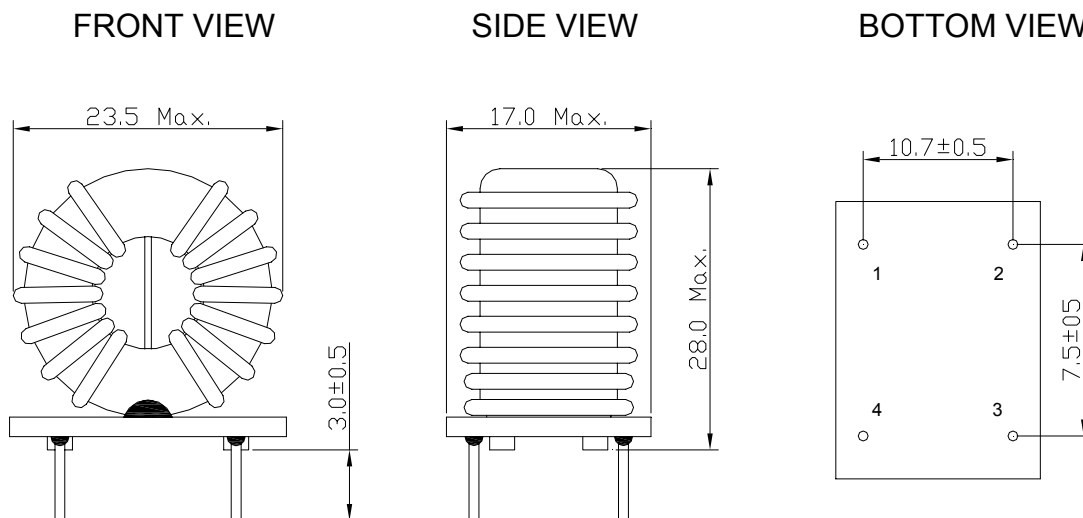
RoHS Compliant

### PART NUMBERING SYSTEM

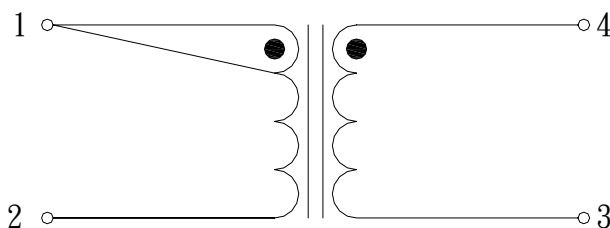
<u><b>CMT</b></u>	<u><b>2010B</b></u>	—	<u><b>102N</b></u>	—	<u><b>LF</b></u>
TYPE	DIMENSIONS		IMPEDANCE		LEAD FREE

### SHAPES AND DIMENSIONS

UNIT : mm



### SCHEMATIC DRAWING





## Common Mode Choke ~ CMT2010B SERIES



RoHS Compliant

### SPECIFICATION TABLE

PART NUMBER	INDUCTANCE (mH)	DCR (mΩ) (max)	IDC ( A ) (max)	NOMINAL VOLTAGE V <sub>AC</sub>	TEST FREQ. ( f )
CMT2010B-102N-LF	1.0±30%	10	6.0	250	10KHz
CMT2010B-222N-LF	2.2±30%	30	4.0	250	10KHz
CMT2010B-332N-LF	3.3±30%	60	2.5	250	10KHz
CMT2010B-502N-LF	5.0±30%	95	2.5	250	10KHz
CMT2010B-103N-LF	10.0±30%	125	2.0	250	10KHz
CMT2010B-203N-LF	20.0±30%	270	1.5	250	10KHz

- Inductance is measured with a LCR meter 4284A or equivalent.
- Test voltage : 1500V, 50Hz , 5mA , 2sec.
- Operating temperature range -40°C to +125°C
- Electrical specifications at 25°C