



Common Mode Choke ~ CMT1409B SERIES



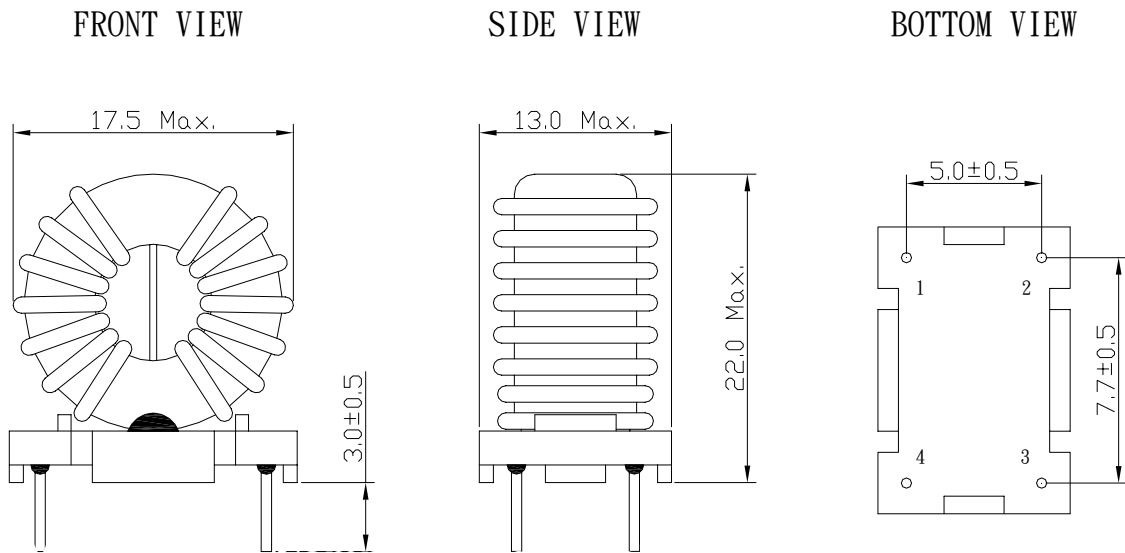
RoHS Compliant

PART NUMBERING SYSTEM

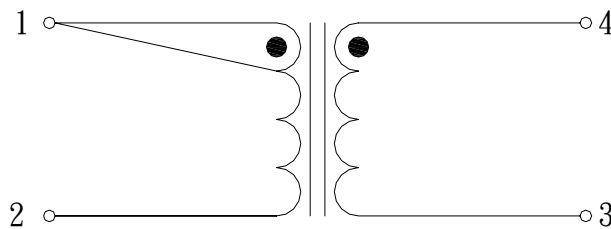
<u>CMT</u>	<u>1409B</u>	—	<u>102N</u>	—	<u>LF</u>
TYPE	DIMENSIONS		IMPEDANCE		LEAD FREE

SHAPES AND DIMENSIONS

UNIT : mm



SCHEMATIC DRAWING





Coilmaster Electronics Co., Ltd.

9F-3 No.398, Huan Bei Rd. Chung Li City, Taoyuan 320, Taiwan

Tel : +886-3-422-8279

Fax : +886-3-422-8734

E-mail : info@coilmaster.com.tw

Web Site : www.coilmaster.com.tw

Common Mode Choke ~ CMT1409B SERIES



RoHS Compliant

SPECIFICATION TABLE

PART NUMBER	INDUCTANCE (mH)	DCR (mΩ) (max)	IDC (A) (max)	NOMINAL VOLTAGE VAC	TEST FREQ. (f)
CMT1409B-102N-LF	1.0±30%	35	3.0	250	10KHz
CMT1409B-402N-LF	2.2±30%	70	2.0	250	10KHz
CMT1409B-502N-LF	3.3±30%	120	1.5	250	10KHz
CMT1409B-103N-LF	10.0±30%	360	1.0	250	10KHz
CMT1409B-203N-LF	20.0±30%	540	0.5	250	10KHz

- Inductance is measured with a LCR meter 4284A or equivalent.
- Test voltage : 1500V, 50Hz , 5mA , 2sec.
- Operating temperature range -40°C to +125°C
- Electrical specifications at 25°C