



## MS1610HQ SERIES ~ High Current Ceramic Chip Inductors

### FEATURES :

- High current ratings - up to 2.4 Amps
- Will handle transient currents up to 50% higher.
- Inductance values from 1.6 to 24 nH
- Lead Free with RoHS Compliant .



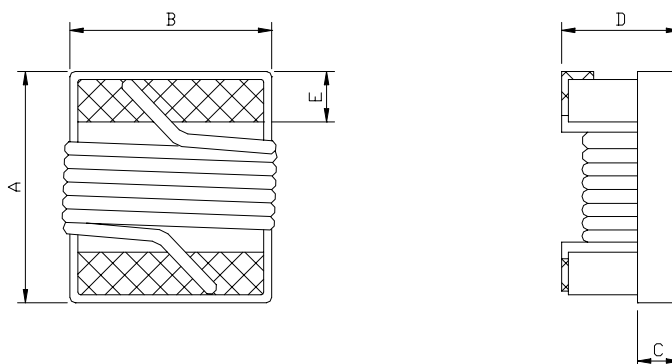
RoHS Compliant

### PART NUMBERING SYSTEM

<u>MS</u>	<u>1 6 1 0 HQ</u>	—	<u>1 0 N J</u>	—	<u>LF</u>
TYPE	DIMENSIONS		INDUCTANCE		LEAD FREE

### SHAPES AND DIMENSIONS

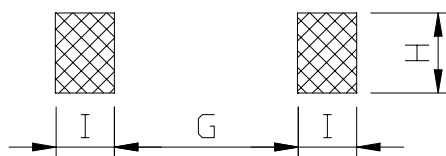
UNIT : mm



**A=1.85 Max. B=1.37 Max. C=0.64 Ref. D=1.19 Max. E=0.33 Ref.**

### RECOMMENDED PATTERNS

UNIT : mm



**G=0.63 H=1.35 I=0.63**



## MS1610HQ SERIES ~ High Current Ceramic Chip Inductors



RoHS Compliant

### SPECIFICATION TABLE

PART NUMBER	INDUCTANCE (nH)	TOLERANCE	Q. MIN.	SRF (MHz) MIN.	DCR ( $\Omega$ ) (max)	IDC (A) (max)
MS1610HQ-1N0X-LF	1.0@900MHz	B,S	25@900MHz	12300	0.021	3.00
MS1610HQ-2N6X-LF	2.6@900MHz	B,S	45@900MHz	9300	0.026	2.00
MS1610HQ-4N5X-LF	4.5@900MHz	B,S	50@900MHz	5800	0.032	1.80
MS1610HQ-5N0X-LF	5.0@900MHz	B,S	60@900MHz	5300	0.032	1.60
MS1610HQ-6N8X-LF	6.8@900MHz	B,S	60@900MHz	4700	0.035	1.80
MS1610HQ-7N6X-LF	7.6@900MHz	J,K	60@900MHz	4400	0.035	1.50
MS1610HQ-10NX-LF	10@900MHz	J,K	60@900MHz	4100	0.037	1.50

INDUTANCE TOLERANCE : B= $\pm 0.2$ nH, S= $\pm 0.3$ nH, J= $\pm 5\%$ , K= $\pm 10\%$

TEST EQUIPMENT: Inductance measured using an Agilent/HP 4286A impedance analyzer .

Operating temperature range -40°C to +125°C.

Electrical specifications at 25°C.



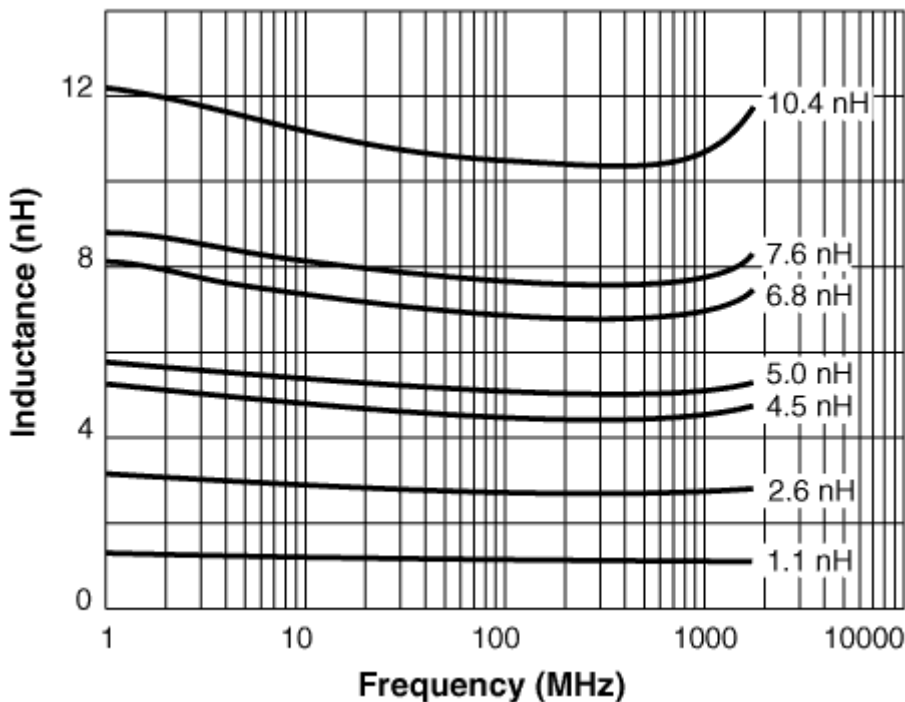
## MS1610HQ SERIES ~ High Current Ceramic Chip Inductors

### TYPICAL ELECTRICAL CHARACTERISTICS

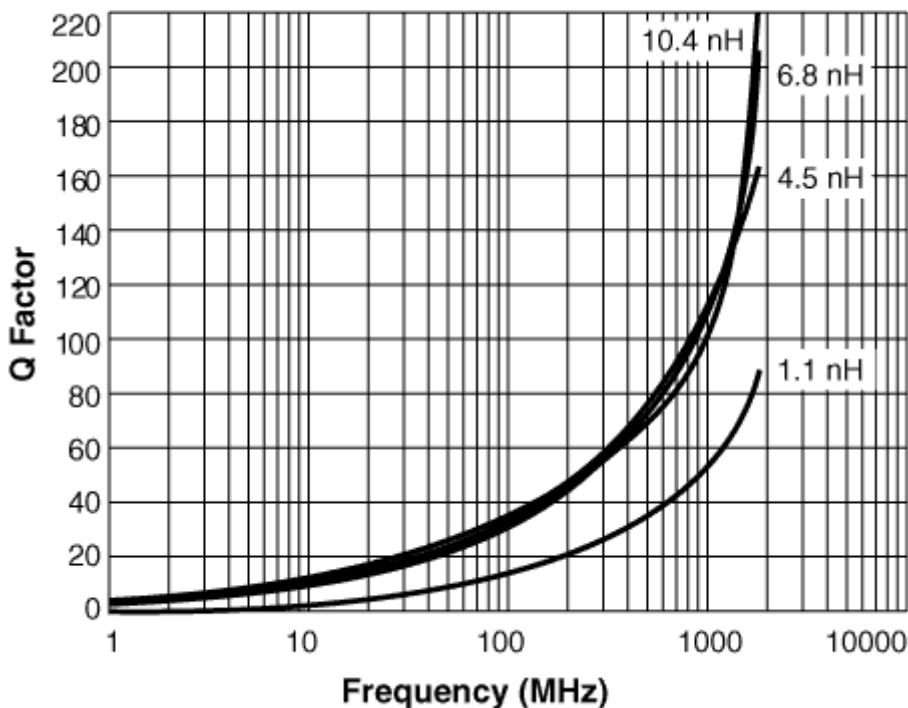
#### INDUCTANCE vs. FREQUENCY CHARACTERISTICS



RoHS Compliant



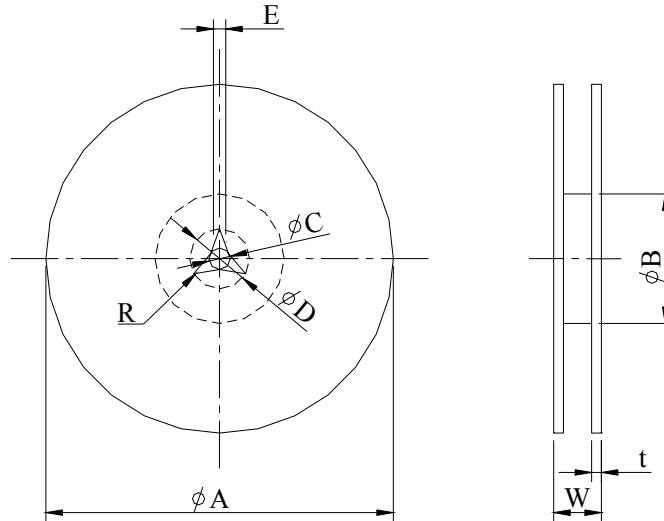
#### Q vs. FREQUENCY CHARACTERISTICS



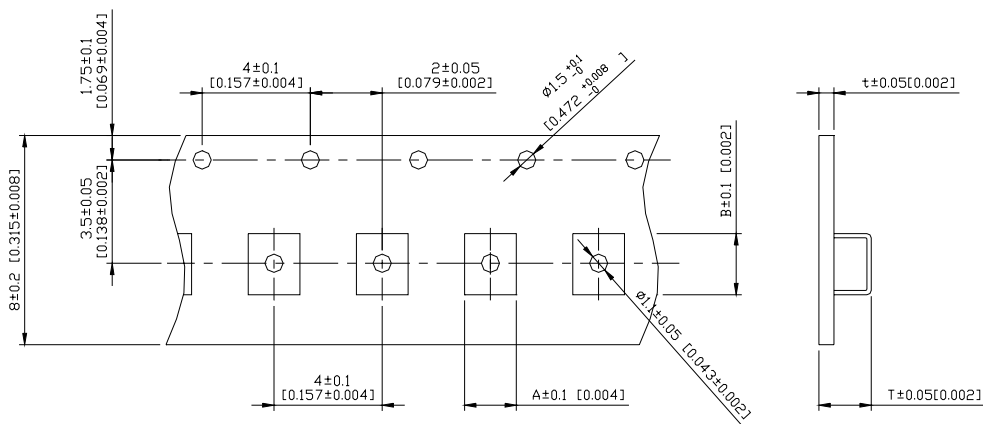


# MS1610HQ SERIES ~ High Current Ceramic Chip Inductors

## PACKAGING SPECIFICATION



	A	B	C	D	E	W8	W12	t	R
T( $\phi 178\text{mm}$ ) Reel	$\phi 178\pm 2$	$\phi 60\pm 1$	$\phi 13\pm 0.8$	$\phi 21\pm 0.8$	2	$10\pm 1.5$	$14.5\pm 1.5$	$1.27\pm 0.2$	1
T( $\phi 330\text{mm}$ ) Reel	$\phi 330\pm 2$	$\phi 100\pm 2$	$\phi 13\pm 0.8$	$\phi 21\pm 0.8$	2	$10\pm 1.5$	$14.5\pm 1.5$	$1.27\pm 0.2$	1



TYPE	A	B	T	t	T( $\phi 178\text{mm}$ )	T( $\phi 330\text{mm}$ )
MS1610HQ	1.10	1.90	1.10	0.2	3000 pcs/reel	-