



ML4532 SERIES – Multilayer Chip Inductors



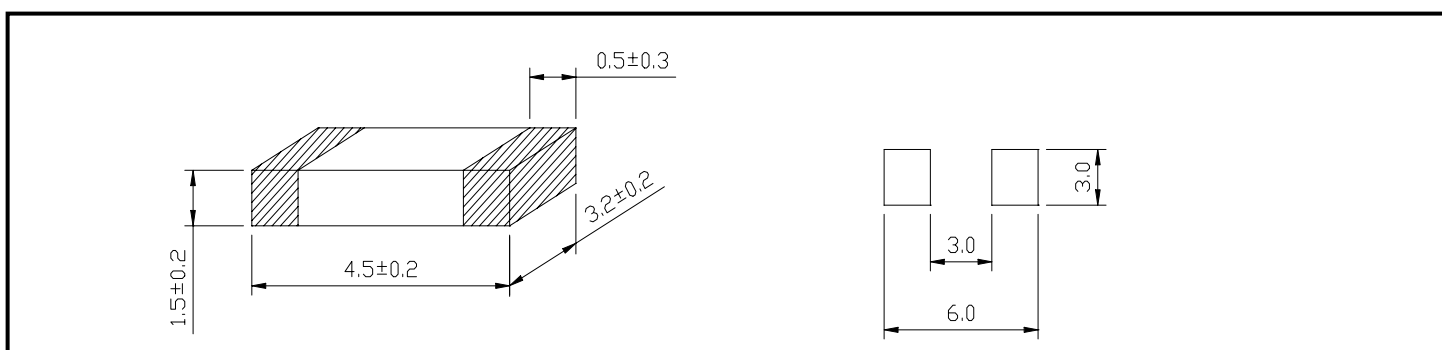
RoHS Compliant

PART NUMBERING SYSTEM

| | | | | | |
|-----------|-------------|---|-------------|---|-----------|
| ML | 4532 | — | 680K | — | LF |
| TYPE | DIMENSIONS | | INDUCTANCE | | LEAD FREE |

SHAPES AND DIMENSIONS

UNIT : mm



FEATURES

1. Monolithic structure for high reliability .
2. Excellent solder ability and high heat resistance for either flow or reflow soldering .
3. Closed magnetic circuit avoids crosstalk and is suitable for high density printed circuit boards .

APPLICATION

1. Personal or notebook computers and peripheral equipment (CD-ROM , Hard Disk , Modem , Printers) .
2. Other various electronic appliances .

ML4532 SERIES ~ Multilayer Chip Inductors

SPECIFICATION TABLE

| PART NUMBER | INDUCTANCE (μ H) | Q. MIN. | L, Q TEST FREQUENCY (MHz) | SRF (MHz) MIN. | DCR (Ω) (max) | IDC(mA) (max) |
|----------------|--------------------------|------------|---------------------------------|-------------------|---------------------------|------------------|
| ML4532-1R0K-LF | 1.0±10% | 35 | 10 | 75 | 0.40 | 100 |
| ML4532-1R2K-LF | 1.2±10% | 35 | 10 | 65 | 0.50 | 100 |
| ML4532-1R5K-LF | 1.5±10% | 35 | 10 | 60 | 0.50 | 50 |



ML4532 SERIES – Multilayer Chip Inductors



RoHS Compliant

SPECIFICATION TABLE

| PART NUMBER | INDUCTANCE (μ H) | Q. MIN. | L, Q TEST FREQUENCY (MHz) | SRF (MHz) MIN. | DCR (Ω) (max) | IDC(mA) (max) |
|----------------|--------------------------|------------|---------------------------------|-------------------|---------------------------|------------------|
| ML4532-1R8K-LF | 1.8 \pm 10% | 35 | 10 | 55 | 0.50 | 50 |
| ML4532-2R2K-LF | 2.2 \pm 10% | 35 | 10 | 50 | 0.60 | 50 |
| ML4532-2R7K-LF | 2.7 \pm 10% | 35 | 10 | 45 | 0.60 | 50 |
| ML4532-3R3K-LF | 3.3 \pm 10% | 35 | 10 | 41 | 0.70 | 50 |
| ML4532-3R9K-LF | 3.9 \pm 10% | 35 | 10 | 38 | 0.80 | 50 |
| ML4532-4R7K-LF | 4.7 \pm 10% | 35 | 10 | 35 | 0.90 | 50 |
| ML4532-5R6K-LF | 5.6 \pm 10% | 35 | 4 | 32 | 0.70 | 25 |
| ML4532-6R8K-LF | 6.8 \pm 10% | 40 | 4 | 29 | 0.70 | 25 |
| ML4532-8R2K-LF | 8.2 \pm 10% | 40 | 4 | 26 | 0.90 | 25 |
| ML4532-100K-LF | 10 \pm 10% | 40 | 1 | 24 | 1.00 | 25 |
| ML4532-120K-LF | 12 \pm 10% | 40 | 2 | 22 | 1.05 | 15 |
| ML4532-150K-LF | 15 \pm 10% | 35 | 1 | 19 | 0.70 | 5 |
| ML4532-180K-LF | 18 \pm 10% | 35 | 1 | 18 | 0.70 | 5 |
| ML4532-220K-LF | 22 \pm 10% | 35 | 1 | 16 | 0.90 | 5 |
| ML4532-270K-LF | 27 \pm 10% | 35 | 1 | 14 | 0.90 | 5 |
| ML4532-330K-LF | 33 \pm 10% | 35 | 0.4 | 13 | 1.05 | 5 |
| ML4532-390K-LF | 39 \pm 10% | 40 | 2 | 11 | 3.00 | 10 |
| ML4532-470K-LF | 47 \pm 10% | 40 | 2 | 10 | 3.40 | 10 |
| ML4532-560K-LF | 56 \pm 10% | 40 | 2 | 9.5 | 3.80 | 5 |
| ML4532-680K-LF | 68 \pm 10% | 40 | 1 | 9.5 | 3.00 | 5 |
| ML4532-820K-LF | 82 \pm 10% | 40 | 1 | 9 | 3.40 | 5 |
| ML4532-101K-LF | 100 \pm 10% | 40 | 1 | 8 | 3.80 | 5 |
| ML4532-121K-LF | 120 \pm 10% | 30 | 0.4 | 6 | 3.00 | 5 |
| ML4532-151K-LF | 150 \pm 10% | 30 | 0.4 | 5.5 | 3.40 | 3 |
| ML4532-181K-LF | 180 \pm 10% | 30 | 0.4 | 5 | 3.80 | 3 |
| ML4532-221K-LF | 220 \pm 10% | 30 | 0.4 | 4.5 | 4.20 | 3 |

Note : inductance 1.0uH to 100uH thickness is 1.50 \pm 0.3mm , inductance 120uH to 220uH thickness is 2.20 \pm 0.3mm ,

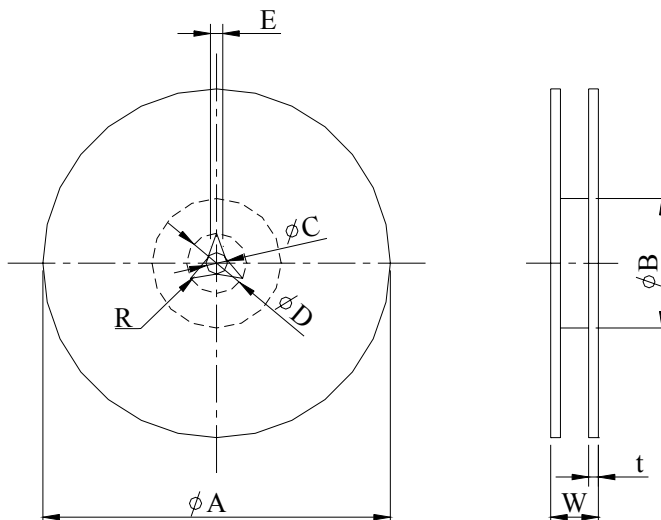


ML4532 SERIES – Multilayer Chip Inductors

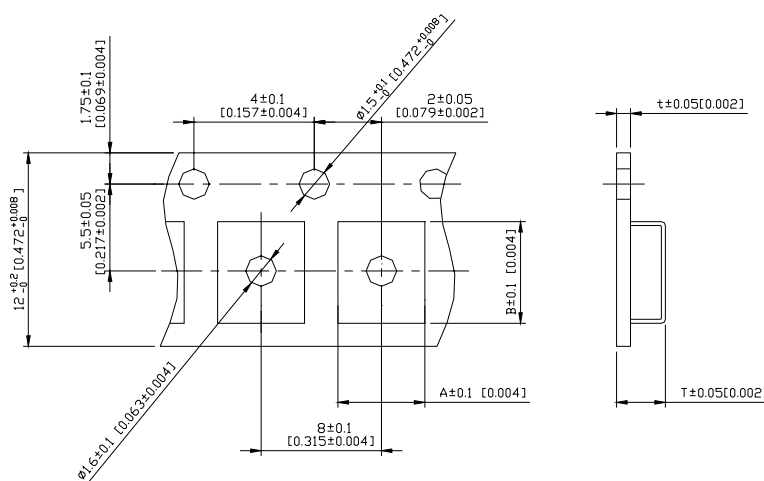


RoHS Compliant

PACKAGING SPECIFICATION



| | A | B | C | D | E | W8 | W12 | t | R |
|----------------------------------|-----------------|-----------------|------------------|------------------|---|-------------|---------------|---------------|---|
| T($\phi 178\text{mm}$) Reel | $\phi 178\pm 2$ | $\phi 60\pm 1$ | $\phi 13\pm 0.8$ | $\phi 21\pm 0.8$ | 2 | 10 ± 1.5 | 14.5 ± 1.5 | 1.27 ± 0.2 | 1 |
| T($\phi 330\text{mm}$) Reel | $\phi 330\pm 2$ | $\phi 100\pm 2$ | $\phi 13\pm 0.8$ | $\phi 21\pm 0.8$ | 2 | 10 ± 1.5 | 14.5 ± 1.5 | 1.27 ± 0.2 | 1 |



| TYPE | A | B | T | t | T($\phi 178\text{mm}$) | T($\phi 330\text{mm}$) |
|------|------|------|------|-----|--------------------------|--------------------------|
| 4532 | 3.60 | 4.90 | 2.05 | 0.3 | 1000 pcs/reel | - |