



# MI4532 SERIES ~ Multilayer Chip Suppressions /

## High Current Chip Beads



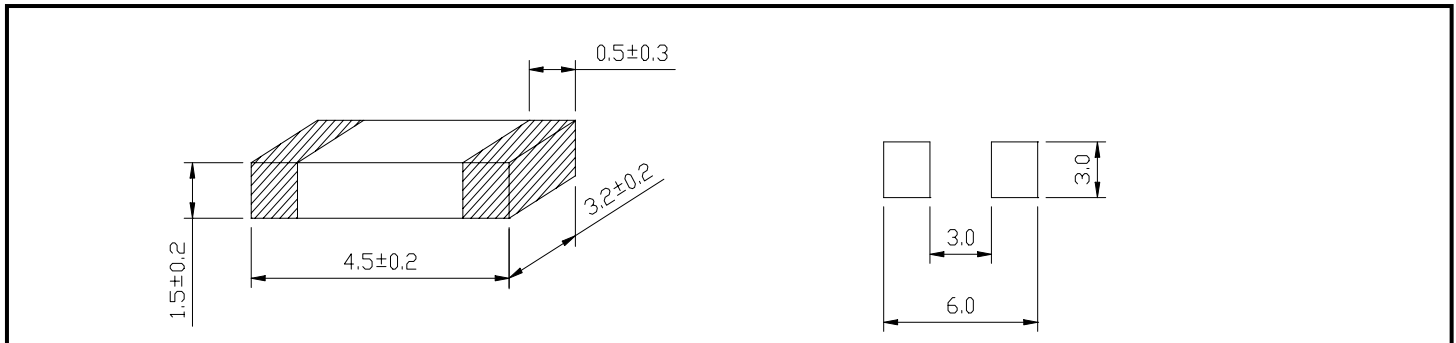
RoHS Compliant

### PART NUMBERING SYSTEM

<b>MI</b>	<b>4 5 3 2</b>	<b>—</b>	<b>7 0 0</b>	<b>—</b>	<b>LF</b>
TYPE	DIMENSIONS		IMPEDANCE		LEAD FREE

### SHAPES AND DIMENSIONS

UNIT : mm



### SPECIFICATION TABLE

PART NUMBER	IMPEDANCE (Ω) at 100MHz	DCR (Ω) (Max.)	IDC (A) (Max.)
MI4532-700-6A-LF	70±25%	0.020	6.0
MI4532-121-3A-LF	120±25%	0.040	3.0
MI4532-151-3A-LF	150±25%	0.040	3.0
MI4532-681-3A-LF	680±25%	0.040	3.0
MI4532-132-3A-LF	1300±25%	0.040	3.0

- Test equipment : Agilent/HP-4291A impedance analyzer or equipment .
- Operating temperature range -55°C to +125°C , Electrical specifications at 25°C.

