



MI4516 SERIES ~ Multilayer Chip Suppressions /

High Current Chip Beads



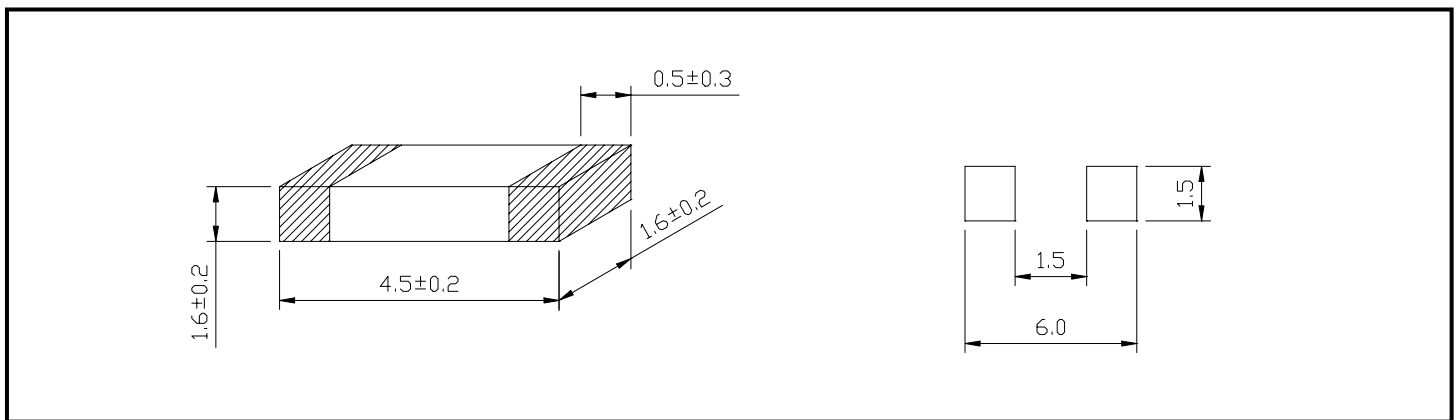
RoHS Compliant

PART NUMBERING SYSTEM

MI	4516	—	600	—	LF
TYPE	DIMENSIONS		IMPEDANCE		LEAD FREE

SHAPES AND DIMENSIONS

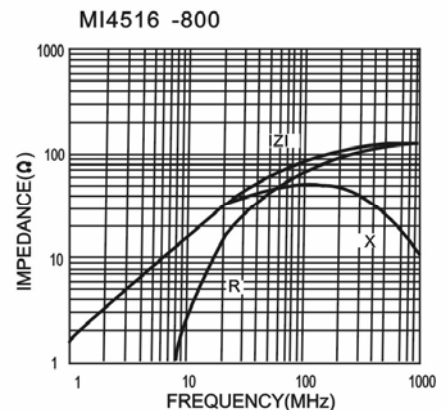
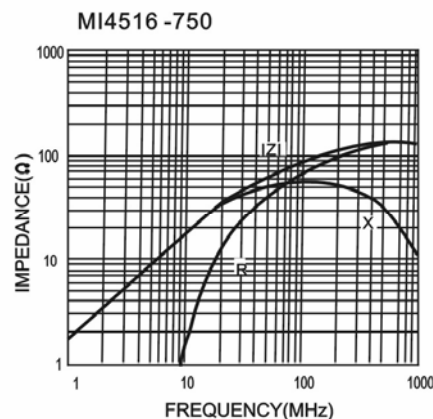
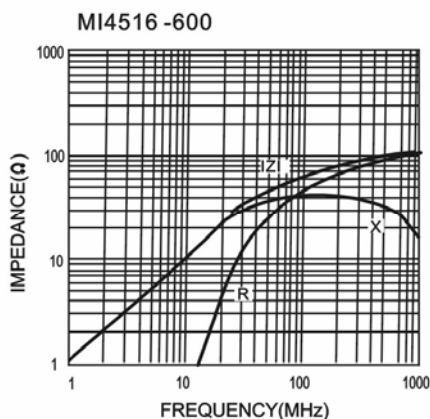
UNIT : mm



SPECIFICATION TABLE

PART NUMBER	IMPEDANCE (Ω) at 100MHz	DCR (Ω) (Max.)	IDC (A) (Max.)
MI4516-600-3A-LF	60±25%	0.040	3.0
MI4516-750-8A-LF	75±25%	0.010	8.0
MI4516-800-6A-LF	80±25%	0.020	6.0
MI4516-101-6A-LF	100±25%	0.020	6.0
MI4516-471-2A-LF	470±25%	0.090	2.0

- Test equipment : Agilent/HP-4291A impedance analyzer or equipment .
- Operating temperature range -55°C to +125°C , Electrical specifications at 25°C.





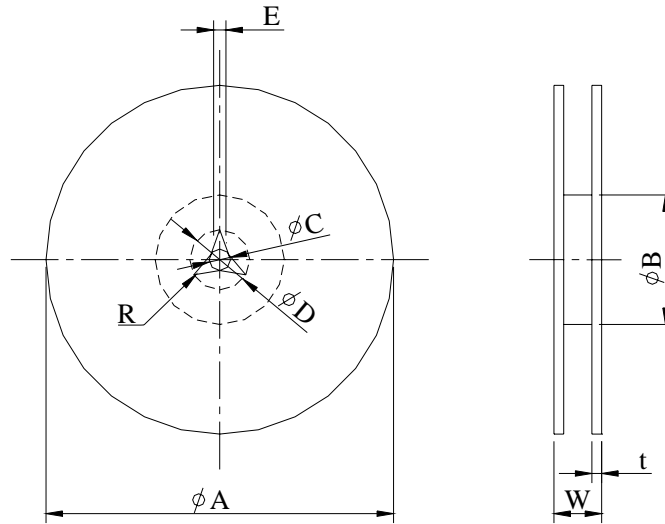
MI4516 SERIES ~ Multilayer Chip Suppressions /

High Current Chip Beads

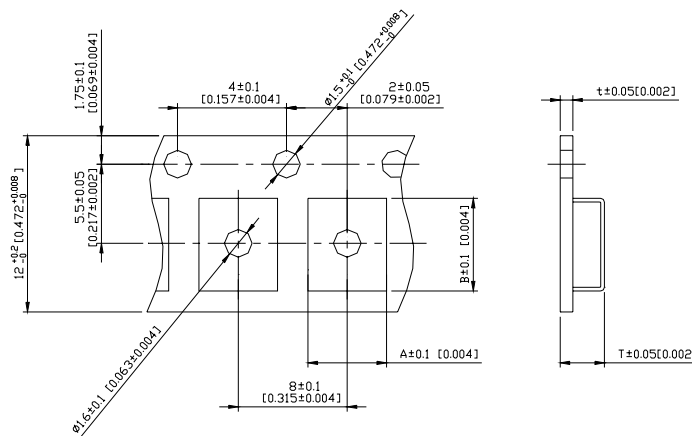
PACKAGING SPECIFICATION



RoHS Compliant



	A	B	C	D	E	W8	W12	t	R
T($\phi 178\text{mm}$) Reel	$\phi 178\pm 2$	$\phi 60\pm 1$	$\phi 13\pm 0.8$	$\phi 21\pm 0.8$	2	10 ± 1.5	14.5 ± 1.5	1.27 ± 0.2	1
T($\phi 330\text{mm}$) Reel	$\phi 330\pm 2$	$\phi 100\pm 2$	$\phi 13\pm 0.8$	$\phi 21\pm 0.8$	2	10 ± 1.5	14.5 ± 1.5	1.27 ± 0.2	1



TYPE	A	B	T	t	T($\phi 178\text{mm}$)	T($\phi 330\text{mm}$)
MI 4516	2.90	4.90	1.40	0.3	2000 pcs/reel	-