



## MI3225 SERIES ~ Multilayer Chip Suppressions /

### High Current Chip Beads



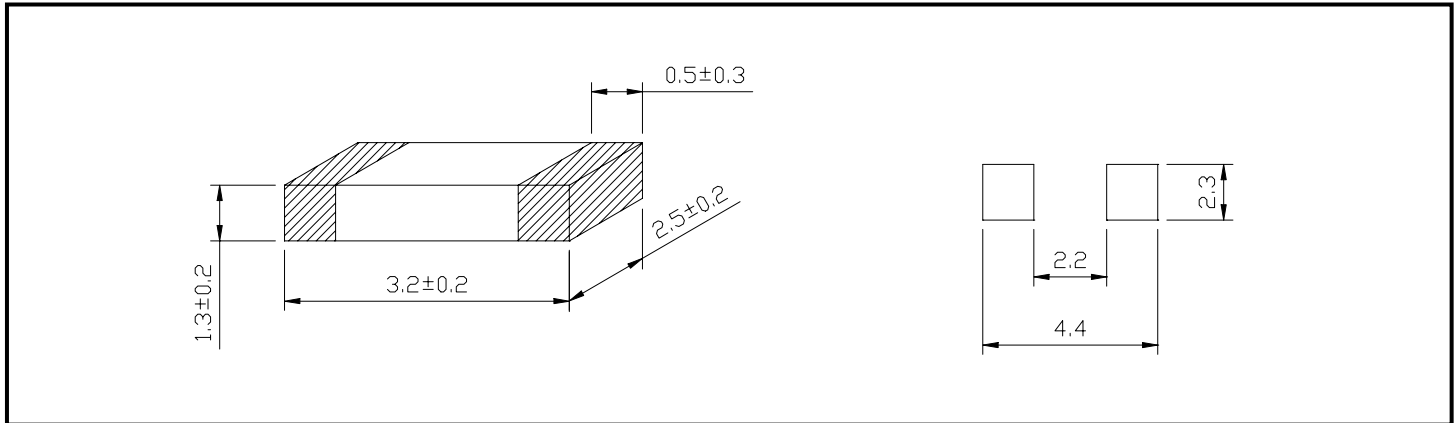
RoHS Compliant

#### PART NUMBERING SYSTEM

<u>MI</u>	<u>3 2 2 5</u>	—	<u>5 2 0</u>	—	<u>LF</u>
TYPE	DIMENSIONS		IMPEDANCE		LEAD FREE

#### SHAPES AND DIMENSIONS

UNIT : mm



#### SPECIFICATION TABLE

PART NUMBER	IMPEDANCE ( $\Omega$ ) at 100MHz	DCR ( $\Omega$ ) (Max.)	IDC (A) (Max.)
MI3225-520-6A-LF	$52 \pm 25\%$	0.020	6.0
MI3225-600-6A-LF	$60 \pm 25\%$	0.020	6.0
MI3225-102-2A-LF	$1000 \pm 25\%$	0.090	2.0

- Test equipment : Agilent/HP-4291A impedance analyzer or equipment .
- Operating temperature range  $-55^{\circ}\text{C}$  to  $+125^{\circ}\text{C}$  , Electrical specifications at  $25^{\circ}\text{C}$ .
- Packing : 7" reel, machine-ready ,embossed plastic tape ( 2,000 parts per full reel).



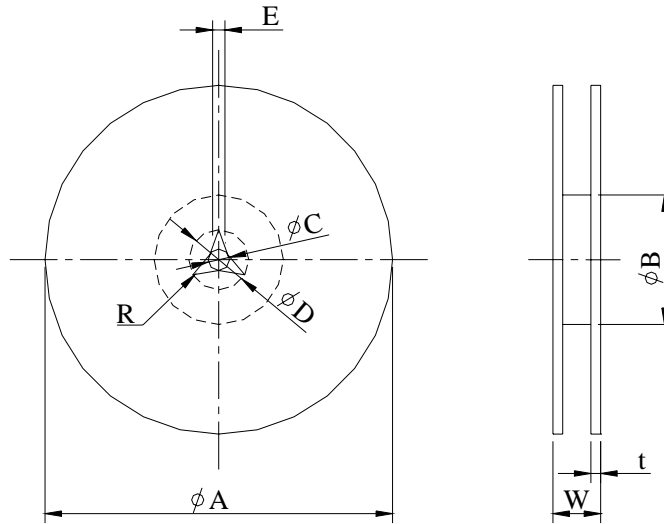
# MI3225 SERIES ~ Multilayer Chip Suppressions /

## High Current Chip Beads

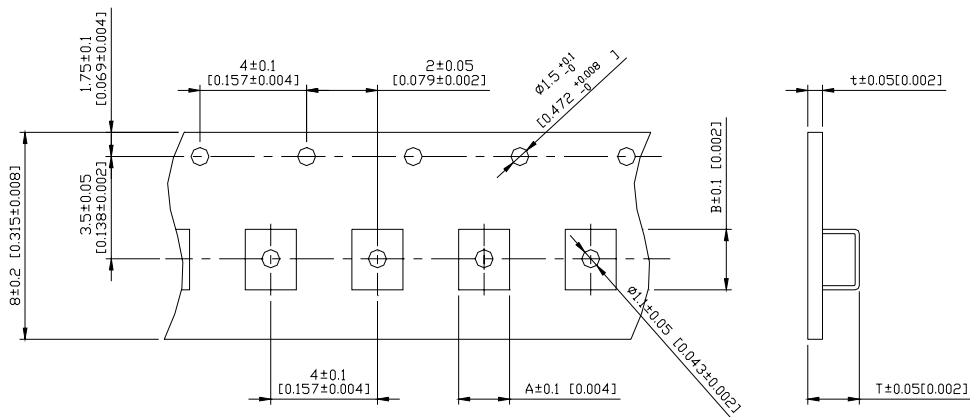
### PACKAGING SPECIFICATION



RoHS Compliant



	A	B	C	D	E	W8	W12	t	R
T( $\phi$ 178mm) Reel	$\phi$ 178 $\pm$ 2	$\phi$ 60 $\pm$ 1	$\phi$ 13 $\pm$ 0.8	$\phi$ 21 $\pm$ 0.8	2	10 $\pm$ 1.5	14.5 $\pm$ 1.5	1.27 $\pm$ 0.2	1
T( $\phi$ 330mm) Reel	$\phi$ 330 $\pm$ 2	$\phi$ 100 $\pm$ 2	$\phi$ 13 $\pm$ 0.8	$\phi$ 21 $\pm$ 0.8	2	10 $\pm$ 1.5	14.5 $\pm$ 1.5	1.27 $\pm$ 0.2	1



TYPE	A	B	T	t	T( $\phi$ 178mm)	T( $\phi$ 330mm)
3225	2.90	3.60	1.70	0.25	2000 pcs/reel	-