



MI3216 SERIES ~ Multilayer Chip Suppressions /

High Current Chip Beads



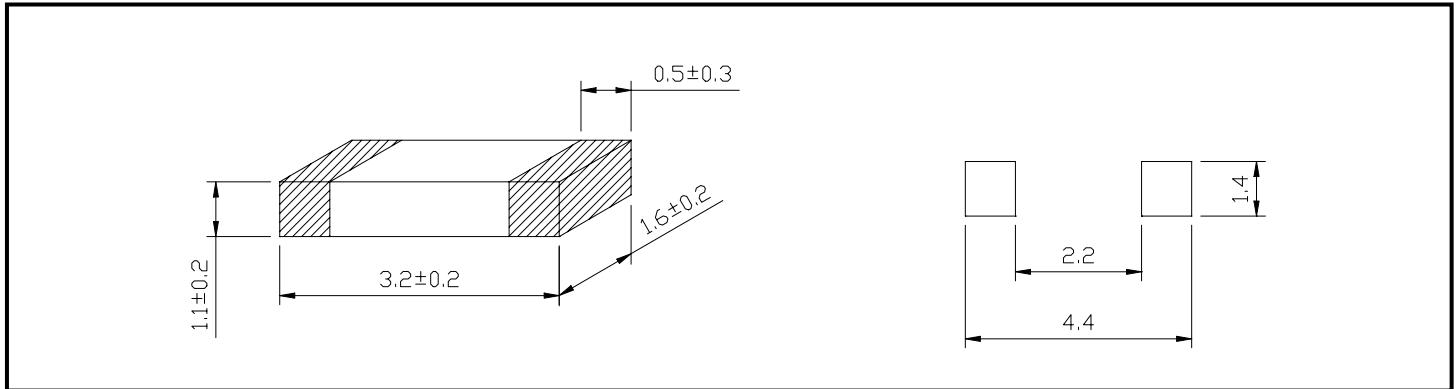
RoHS Compliant

PART NUMBERING SYSTEM

<u>MI</u>	<u>3 2 1 6</u>	—	<u>3 1 0</u>	—	<u>LF</u>
TYPE	DIMENSIONS		IMPEDANCE		LEAD FREE

SHAPES AND DIMENSIONS

UNIT : mm



SPECIFICATION TABLE

PART NUMBER	IMPEDANCE (Ω) at 100MHz	DCR (Ω) (Max.)	IDC (A) (Max.)
MI3216-190-3A-LF	31±25%	0.030	3.0
MI3216-310-3A-LF	31±25%	0.040	3.0
MI3216-520-6A-LF	52±25%	0.020	6.0
MI3216-700-3A-LF	70±25%	0.040	3.0
MI3216-750-3A-LF	75±25%	0.040	3.0
MI3216-800-4A-LF	80±25%	0.030	4.0
MI3216-101-3A-LF	100±25%	0.040	3.0
MI3216-121-3A-LF	120±25%	0.040	3.0
MI3216-301-3A-LF	300±25%	0.060	3.0
MI3216-501-2.5A-LF	500±25%	0.070	2.5
MI3216-601-2A-LF	600±25%	0.100	2.0
MI3216-102-1A-LF	1000±25%	0.100	1.0
MI3216-122-1A-LF	1200±25%	0.200	1.0

- Test equipment : Agilent/HP-4291A impedance analyzer or equipment .
- Operating temperature range -55°C to +125°C , Electrical specifications at 25°C.
- Packing : 7" reel, machine-ready ,embossed plastic tape (3,000 parts per full reel).

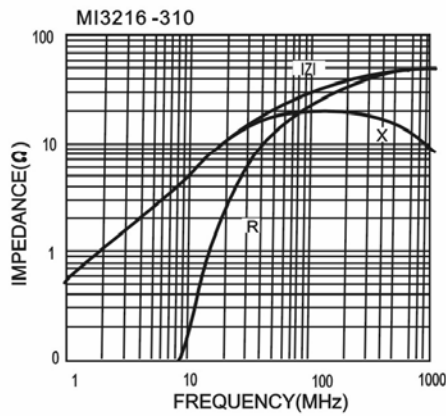
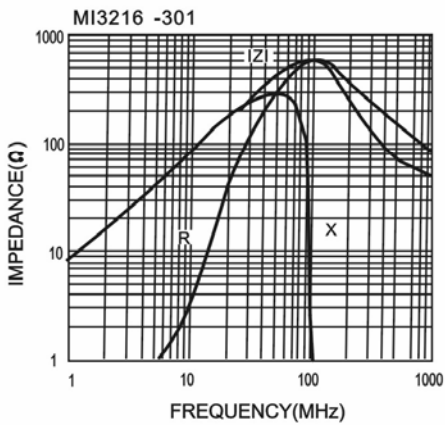
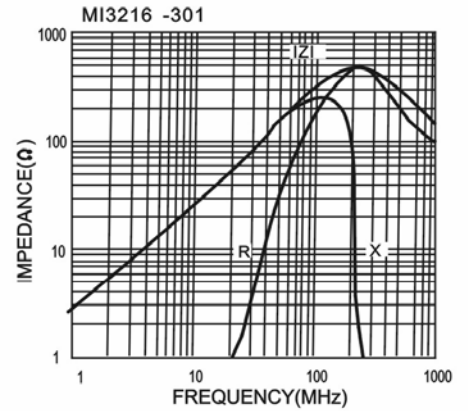
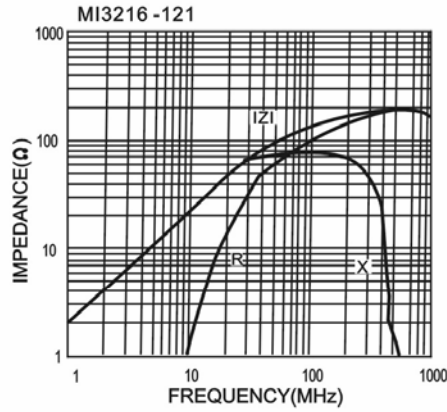
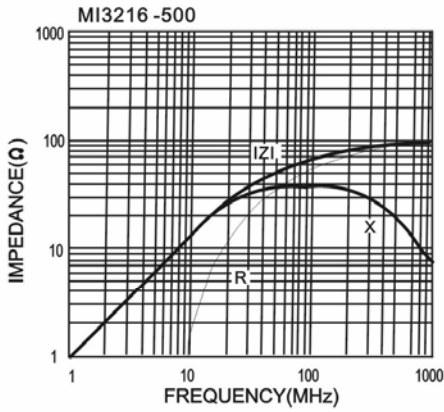


MI3216 SERIES ~ Multilayer Chip Suppressions /

High Current Chip Beads



RoHS Compliant





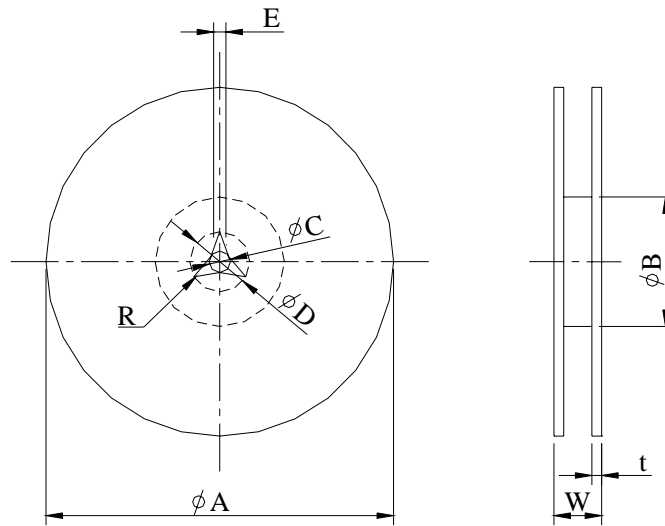
MI3216 SERIES ~ Multilayer Chip Suppressions /

High Current Chip Beads

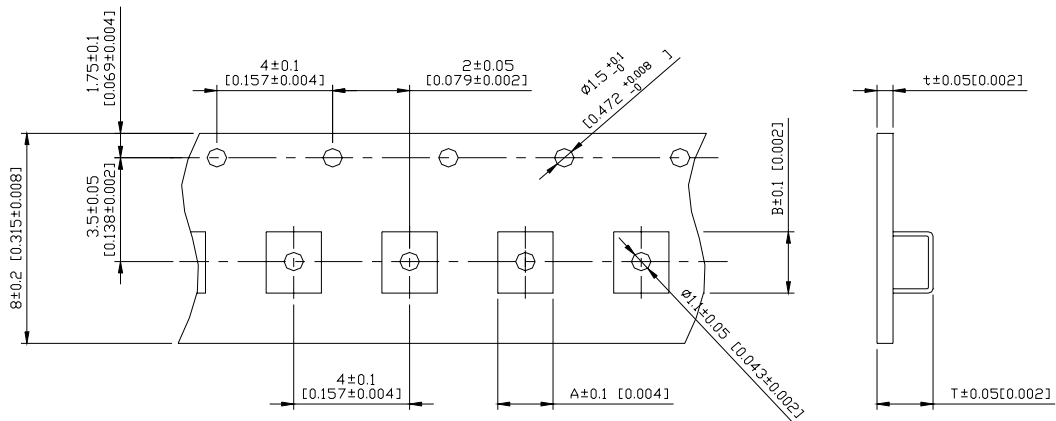
PACKAGING SPECIFICATION



RoHS Compliant



	A	B	C	D	E	W8	W12	t	R
T($\phi 178\text{mm}$) Reel	$\phi 178\pm 2$	$\phi 60\pm 1$	$\phi 13\pm 0.8$	$\phi 21\pm 0.8$	2	10 ± 1.5	14.5 ± 1.5	1.27 ± 0.2	1
T($\phi 330\text{mm}$) Reel	$\phi 330\pm 2$	$\phi 100\pm 2$	$\phi 13\pm 0.8$	$\phi 21\pm 0.8$	2	10 ± 1.5	14.5 ± 1.5	1.27 ± 0.2	1



TYPE	A	B	T	t	T($\phi 178\text{mm}$)	T($\phi 330\text{mm}$)
3216	1.90	3.50	1.40	0.2	3000 pcs/reel	-