



Coilmaster Electronics Co., Ltd.

9F-3 No.398, Huan Bei Rd. Chung Li City, Taoyuan 320, Taiwan
Tel : +886-3-422-8279 Fax : +886-3-422-8734

E-mail : info@coilmaster.com.tw

Web Site : www.coilmaster.com.tw

MI2012 SERIES ~ Multilayer Chip Suppressions /

High Current Chip Beads



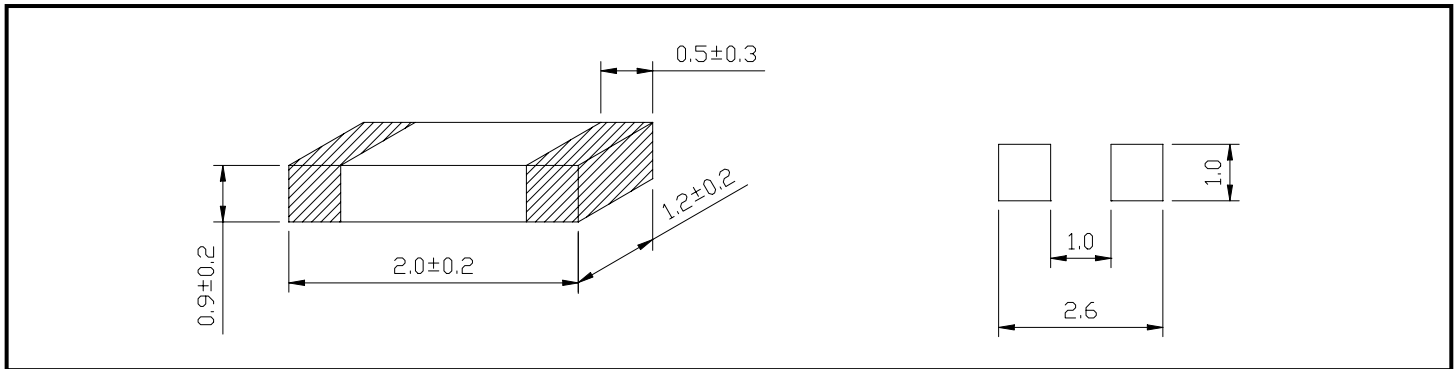
RoHS Compliant

PART NUMBERING SYSTEM

<u>MI</u>	<u>2012</u>	—	<u>070</u>	—	<u>LF</u>
TYPE	DIMENSIONS		IMPEDANCE		LEAD FREE

SHAPES AND DIMENSIONS

UNIT : mm



SPECIFICATION TABLE

PART NUMBER	IMPEDANCE (Ω) at 100MHz	DCR (Ω) (Max.)	IDC (A) (Max.)
MI2012-100-6A-LF	$10 \pm 25\%$	0.010	6.0
MI2012-200-6A-LF	$20 \pm 25\%$	0.010	6.0
MI2012-300-6A-LF	$30 \pm 25\%$	0.015	6.0
MI2012-420-4A-LF	$42 \pm 25\%$	0.030	4.0
MI2012-600-5A-LF	$60 \pm 25\%$	0.020	5.0
MI2012-800-5A-LF	$80 \pm 25\%$	0.020	5.0
MI2012-900-5A-LF	$90 \pm 25\%$	0.020	5.0
MI2012-121-5A-LF	$120 \pm 25\%$	0.020	5.0
MI2012-151-3A-LF	$150 \pm 25\%$	0.040	3.0
MI2012-221-3A-LF	$220 \pm 25\%$	0.040	3.0
MI2012-301-2A-LF	$300 \pm 25\%$	0.070	2.0
MI2012-471-2A-LF	$470 \pm 25\%$	0.100	2.0
MI2012-601-2A-LF	$600 \pm 25\%$	0.100	2.0
MI2012-102-1A-LF	$1000 \pm 25\%$	0.300	1.0
MI2012-152-1A-LF	$1500 \pm 25\%$	0.400	1.0

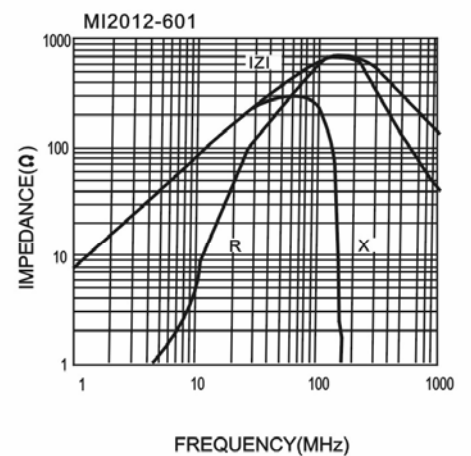
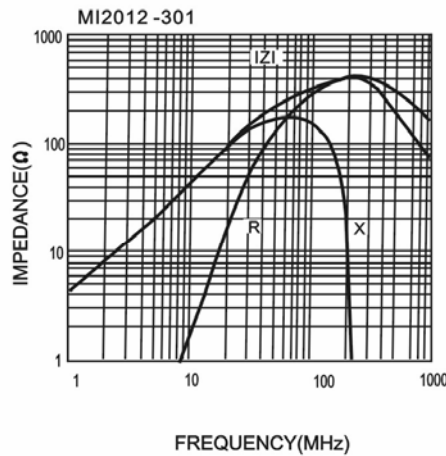
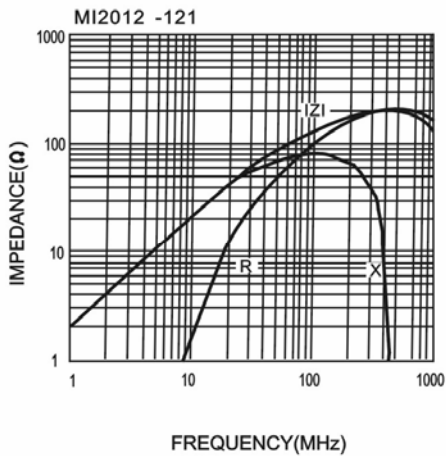
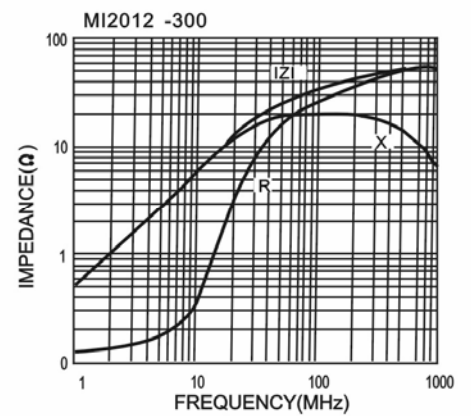
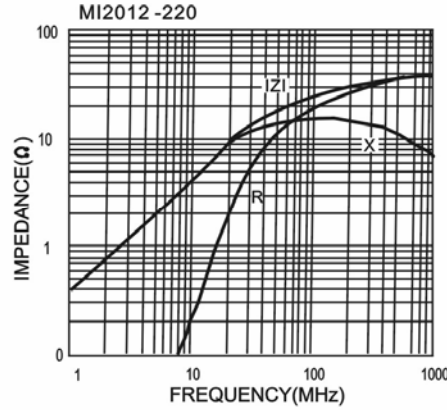
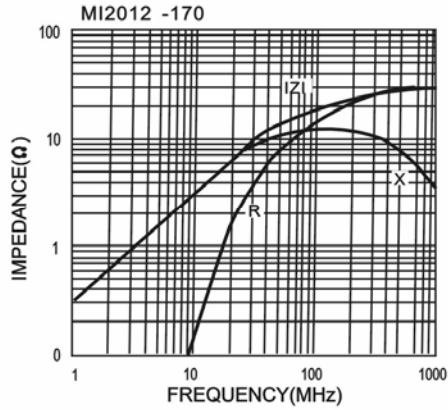
- Test equipment : Agilent/HP-4291A impedance analyzer or equipment .
- Operating temperature range -55°C to $+125^{\circ}\text{C}$, Electrical specifications at 25°C .
- Packing : 7" reel, machine-ready ,embossed plastic tape (4,000 parts per full reel).



MI2012 SERIES ~ Multilayer Chip Suppressions / High Current Chip Beads



RoHS Compliant





Coilmaster Electronics Co., Ltd.

9F-3 No.398, Huan Bei Rd. Chung Li City, Taoyuan 320, Taiwan
 Tel : +886-3-422-8279 Fax : +886-3-422-8734

E-mail : info@coilmaster.com.tw

Web Site : www.coilmaster.com.tw

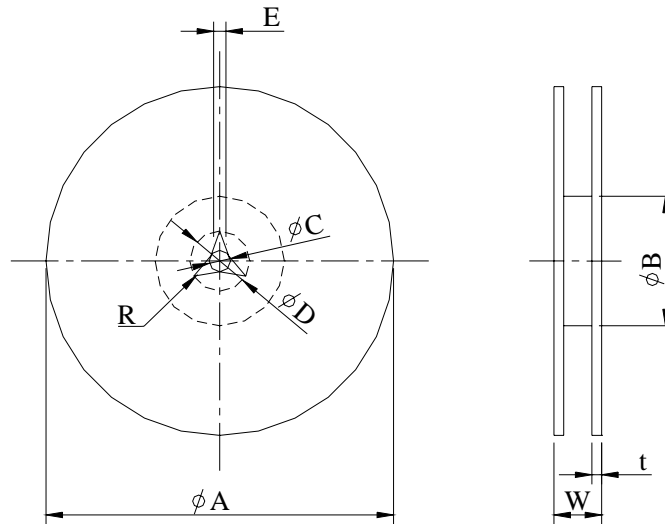
MI2012 SERIES ~ Multilayer Chip Suppressions /

High Current Chip Beads

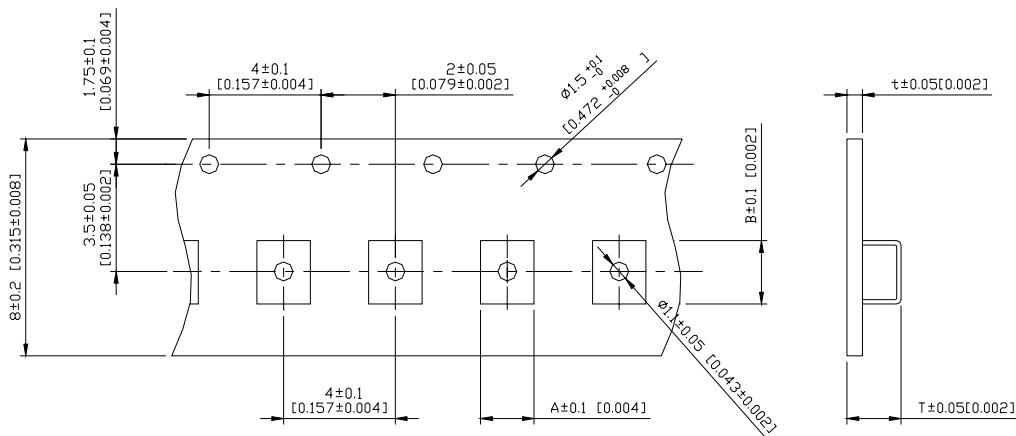
PACKAGING SPECIFICATION



RoHS Compliant



	A	B	C	D	E	W8	W12	t	R
T(ϕ 178mm) Reel	ϕ 178 \pm 2	ϕ 60 \pm 1	ϕ 13 \pm 0.8	ϕ 21 \pm 0.8	2	10 \pm 1.5	14.5 \pm 1.5	1.27 \pm 0.2	1
T(ϕ 330mm) Reel	ϕ 330 \pm 2	ϕ 100 \pm 2	ϕ 13 \pm 0.8	ϕ 21 \pm 0.8	2	10 \pm 1.5	14.5 \pm 1.5	1.27 \pm 0.2	1



TYPE	A	B	T	t	T(ϕ 178mm)	T(ϕ 330mm)
2012	1.55	2.30	1.20	0.2	4000 pcs/reel	10000 pcs/reel