



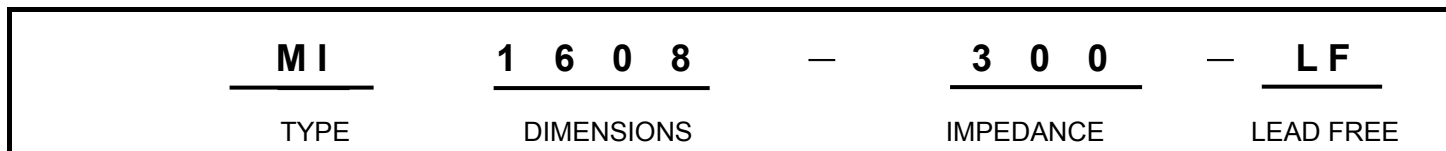
MI1608 SERIES ~ Multilayer Chip Suppressions /

High Current Chip Beads



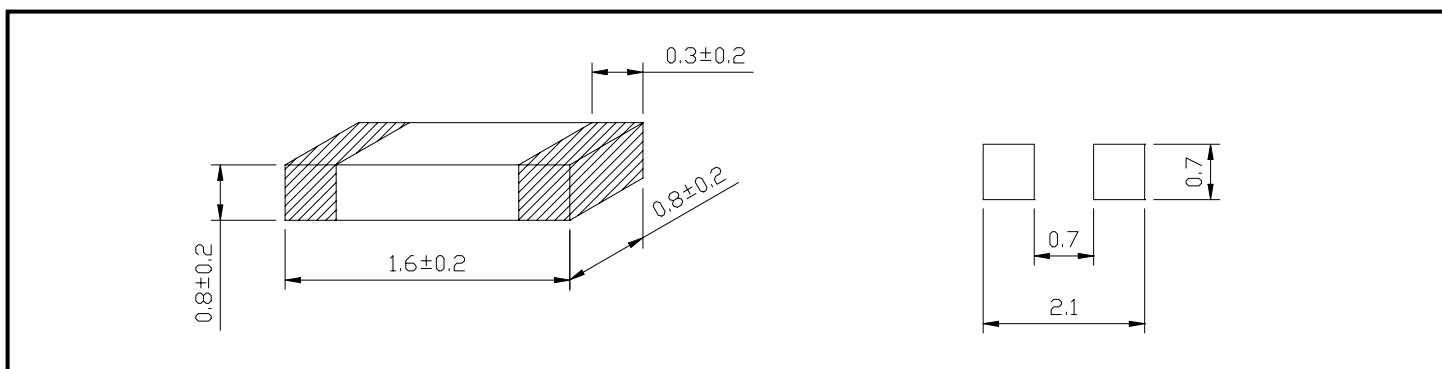
RoHS Compliant

PART NUMBERING SYSTEM



SHAPES AND DIMENSIONS

UNIT : mm



SPECIFICATION TABLE

PART NUMBER	IMPEDANCE (Ω) at 100MHz	DCR (Ω) (Max.)	IDC (A) (Max.)
MI1608-100-5A-LF	10±25%	0.010	5.0
MI1608-300-3A-LF	30±25%	0.030	3.0
MI1608-600-3A-LF	60±25%	0.040	3.0
MI1608-101-2A-LF	100±25%	0.070	2.0
MI1608-121-2A-LF	120±25%	0.070	2.0
MI1608-151-2A-LF	150±25%	0.100	2.0
MI1608-221-2A-LF	220±25%	0.100	2.0
MI1608-301-2A-LF	300±25%	0.100	2.0
MI1608-451-1.5A-LF	450±25%	0.150	1.5
MI1608-471-1.5A-LF	470±25%	0.150	1.5
MI1608-601-1A-LF	600±25%	0.300	1.0

- Test equipment : Agilent/HP-4291A impedance analyzer or equipment .
- Operating temperature range -25°C to +85°C .
- Electrical specifications at 25°C.
- Packing : 7" reel, machine-ready ,embossed plastic tape (4,000 parts per full reel).

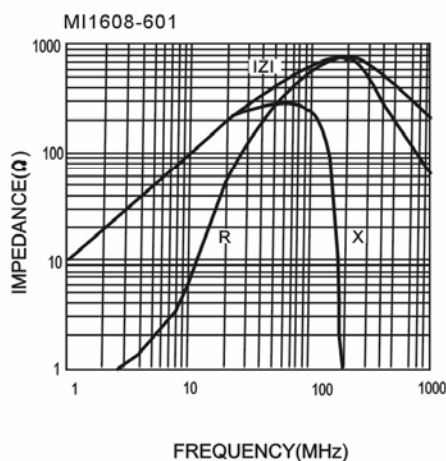
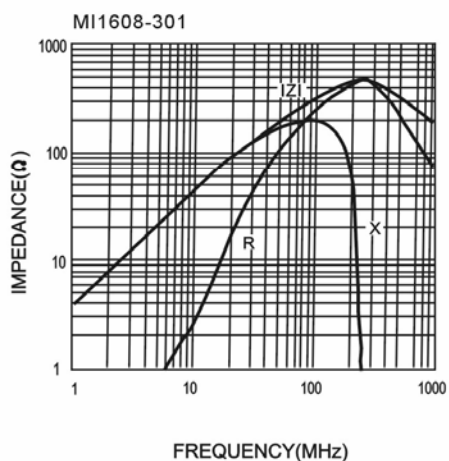
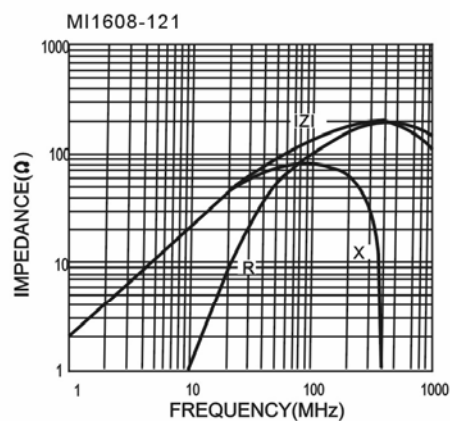
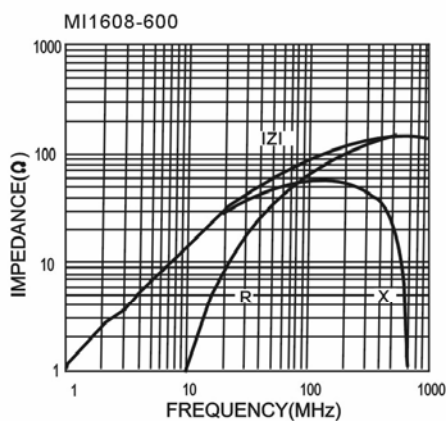
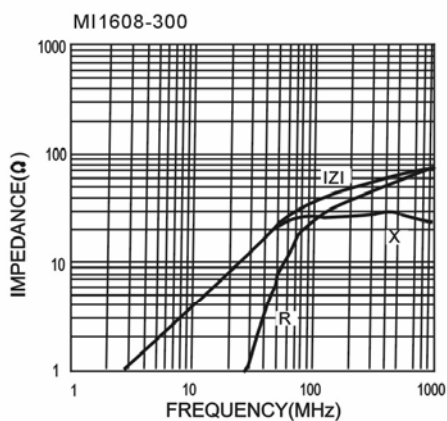


MI1608 SERIES ~ Multilayer Chip Suppressions /

High Current Chip Beads



RoHS Compliant



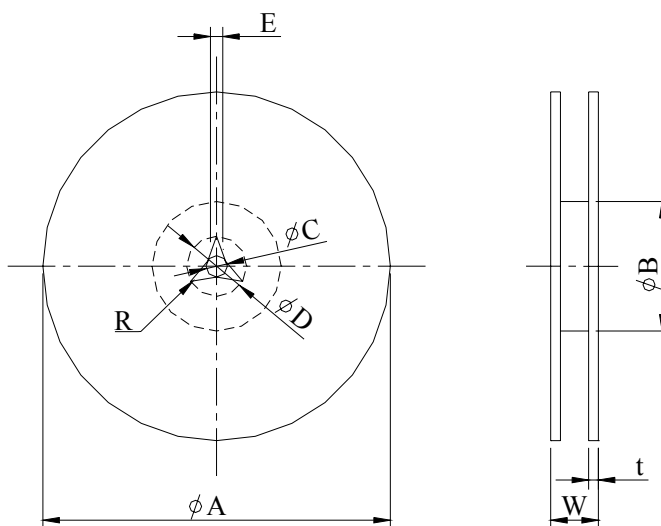


MI1608 SERIES ~ Multilayer Chip Suppressions /

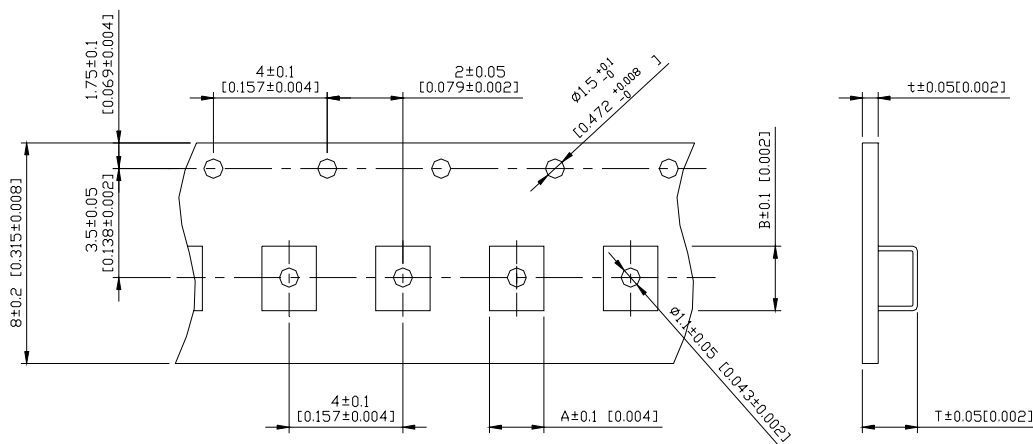
High Current Chip Beads



RoHS Compliant



	A	B	C	D	E	W8	W12	t	R
T(ϕ 178mm) Reel	ϕ 178 \pm 2	ϕ 60 \pm 1	ϕ 13 \pm 0.8	ϕ 21 \pm 0.8	2	10 \pm 1.5	14.5 \pm 1.5	1.27 \pm 0.2	1
T(ϕ 330mm) Reel	ϕ 330 \pm 2	ϕ 100 \pm 2	ϕ 13 \pm 0.8	ϕ 21 \pm 0.8	2	10 \pm 1.5	14.5 \pm 1.5	1.27 \pm 0.2	1



TYPE	A	B	T	t	T(ϕ 178mm)	T(ϕ 330mm)
MI 1608	1.10	1.90	1.10	0.2	4000 pcs/reel	-