



MB4516 SERIES ~

Multilayer Chip Suppressions / Chip Beads



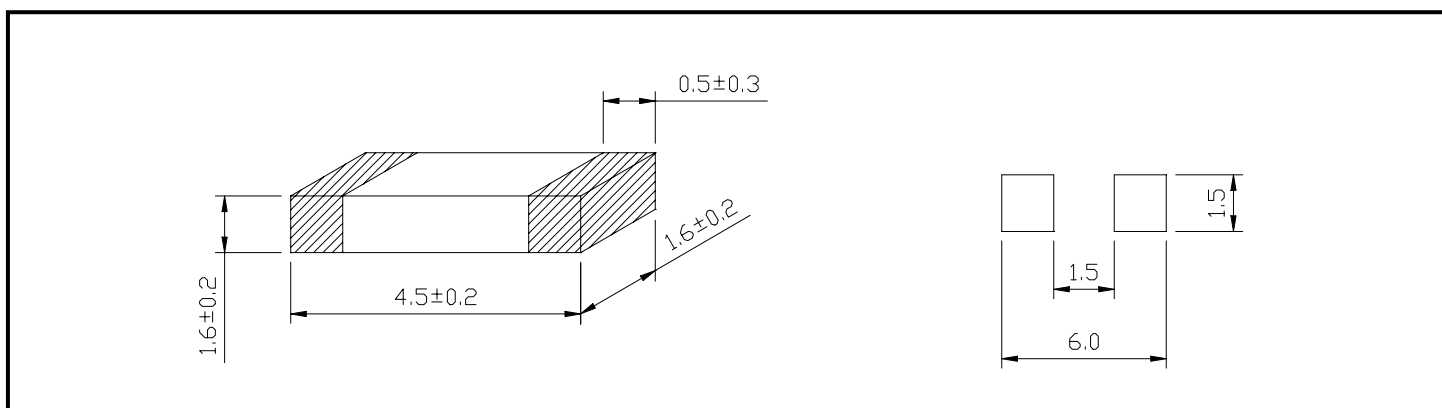
RoHS Compliant

PART NUMBERING SYSTEM

<u>MB</u>	<u>4 5 1 6</u>	—	<u>6 0 0</u>	—	<u>LF</u>
TYPE	DIMENSIONS		IMPEDANCE		LEAD FREE

SHAPES AND DIMENSIONS

UNIT : mm



SPECIFICATION TABLE

PART NUMBER	IMPEDANCE (Ω) at 100MHz	DCR (Ω) (max)	IDC (mA) (max)
MB4516-600-LF	$60 \pm 25\%$	0.20	500
MB4516-800-LF	$80 \pm 25\%$	0.30	400
MB4516-121-LF	$120 \pm 25\%$	0.40	400
MB4516-151-LF	$150 \pm 25\%$	0.50	200
MB4516-301-LF	$300 \pm 25\%$	0.60	200
MB4516-601-LF	$600 \pm 25\%$	0.80	200

Test equipment : HP-4291 A impedance analyzer or equivalent.

