



MB3225 SERIES ~

Multilayer Chip Suppressions / Chip Beads



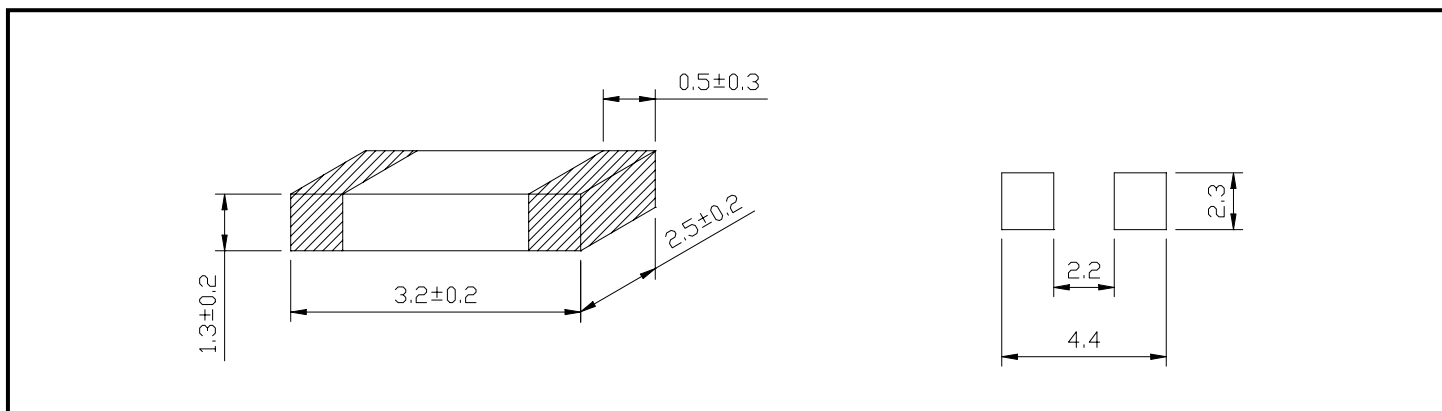
RoHS Compliant

PART NUMBERING SYSTEM

<u>MB</u>	<u>3 2 2 5</u>	—	<u>3 1 0</u>	<u>LF</u>
TYPE	DIMENSIONS		IMPEDANCE	LEAD FREE

SHAPES AND DIMENSIONS

UNIT : mm



SPECIFICATION TABLE

PART NUMBER	IMPEDANCE (Ω) at 100MHz	DCR (Ω) (max)	IDC (mA) (max)
MB3225-310-LF	$31 \pm 25\%$	0.10	500
MB3225-520-LF	$52 \pm 25\%$	0.30	400
MB3225-600-LF	$60 \pm 25\%$	0.30	400
MB3225-900-LF	$90 \pm 25\%$	0.40	400

Test equipment : HP-4291 A impedance analyzer or equivalent.

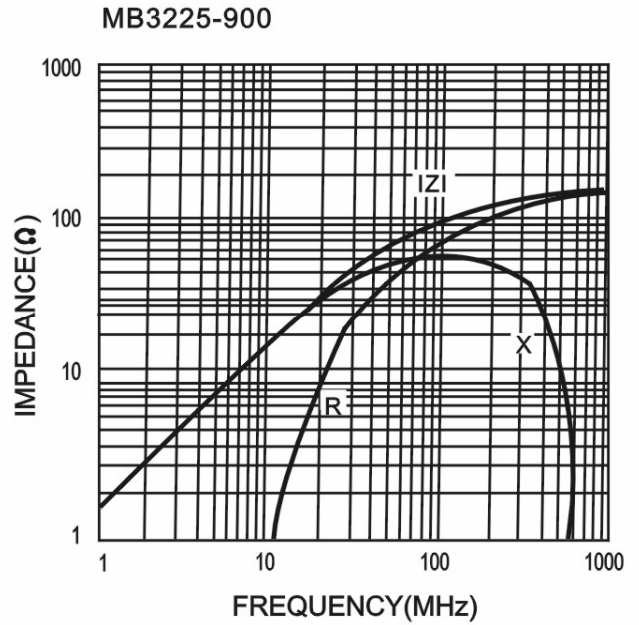
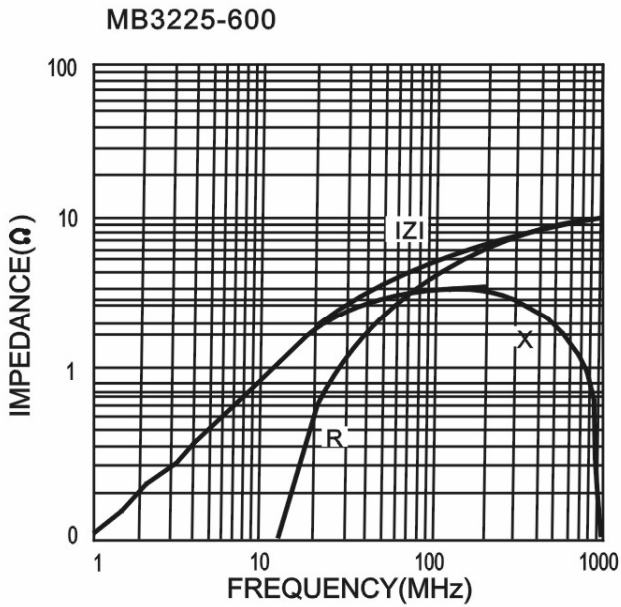


MB3225 SERIES ~

Multilayer Chip Suppressions / Chip Beads



RoHS Compliant





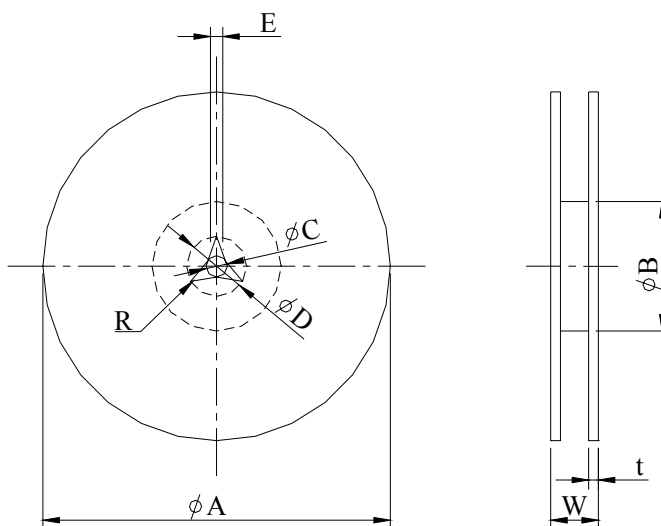
MB3225 SERIES ~

Multilayer Chip Suppressions / Chip Beads

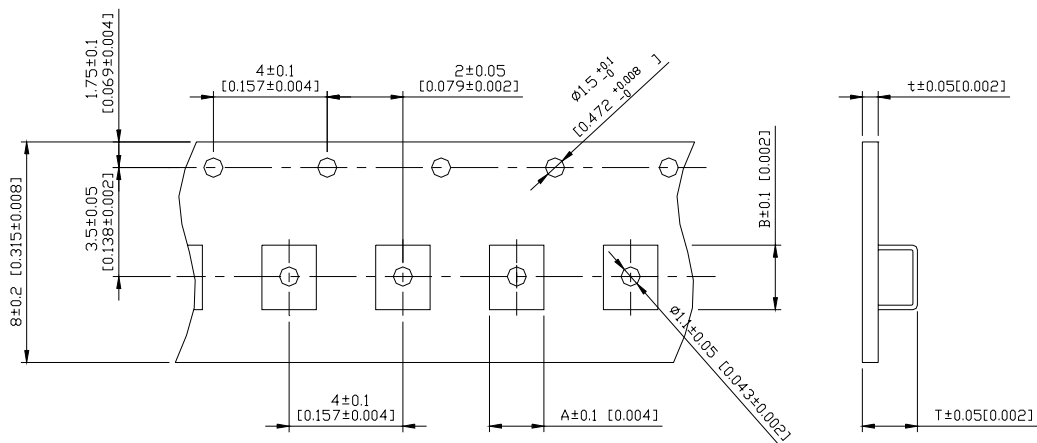
PACKAGING SPECIFICATION



RoHS Compliant



	A	B	C	D	E	W8	W12	t	R
T($\phi 178\text{mm}$) Reel	$\phi 178 \pm 2$	$\phi 60 \pm 1$	$\phi 13 \pm 0.8$	$\phi 21 \pm 0.8$	2	10 ± 1.5	14.5 ± 1.5	1.27 ± 0.2	1
T($\phi 330\text{mm}$) Reel	$\phi 330 \pm 2$	$\phi 100 \pm 2$	$\phi 13 \pm 0.8$	$\phi 21 \pm 0.8$	2	10 ± 1.5	14.5 ± 1.5	1.27 ± 0.2	1



TYPE	A	B	T	t	T($\phi 178\text{mm}$)	T($\phi 330\text{mm}$)
MB3225	2.90	3.60	1.70	0.25	2000 pcs/reel	-