



**Coilmaster Electronics Co., Ltd.**

9F-3 No.398, Huan Bei Rd. Chung Li City, Taoyuan 320, Taiwan  
Tel : +886-3-422-8279 Fax : +886-3-422-8734

E-mail : [info@coilmaster.com.tw](mailto:info@coilmaster.com.tw)  
Web Site : [www.coilmaster.com.tw](http://www.coilmaster.com.tw)

## MB3216 SERIES ~

### Multilayer Chip Suppressions / Chip Beads



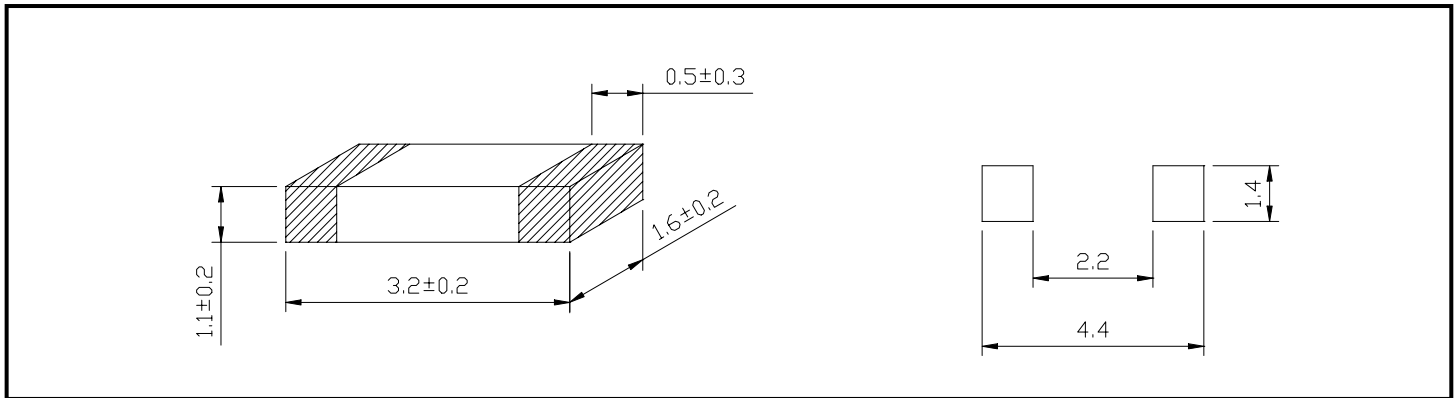
RoHS Compliant

#### PART NUMBERING SYSTEM

<b>MB</b>	<b>3 2 1 6</b>	—	<b>3 1 0</b>	—	<b>LF</b>
TYPE	DIMENSIONS		IMPEDANCE		LEAD FREE

#### SHAPES AND DIMENSIONS

UNIT : mm



#### SPECIFICATION TABLE

PART NUMBER	IMPEDANCE ( $\Omega$ ) at 100MHz	DCR ( $\Omega$ ) (max)	IDC (mA) (max)
MB3216-260-LF	26±25%	0.10	800
MB3216-310-LF	31±25%	0.10	800
MB3216-520-LF	52±25%	0.15	800
MB3216-600-LF	60±25%	0.15	500
MB3216-101-LF	100±25%	0.20	450
MB3216-121-LF	120±25%	0.20	450
MB3216-151-LF	150±25%	0.20	450
MB3216-221-LF	220±25%	0.20	350
MB3216-301-LF	300±25%	0.20	350
MB3216-601-LF	600±25%	0.25	350
MB3216-751-LF	750±25%	0.30	350
MB3216-102-LF	1000±25%	0.35	350
MB3216-152-LF	1500±25%	0.40	350
MB3216-202-LF	2000±25%	0.40	350

- Test equipment : Agilent/HP-4291A impedance analyzer or equipment .
- Operating temperature range -55°C to +125°C , Electrical specifications at 25°C.



## MB3216 SERIES ~

### Multilayer Chip Suppressions / Chip Beads



RoHS Compliant

