



MB1005 SERIES ~

Multilayer Chip Suppressions / Chip Beads



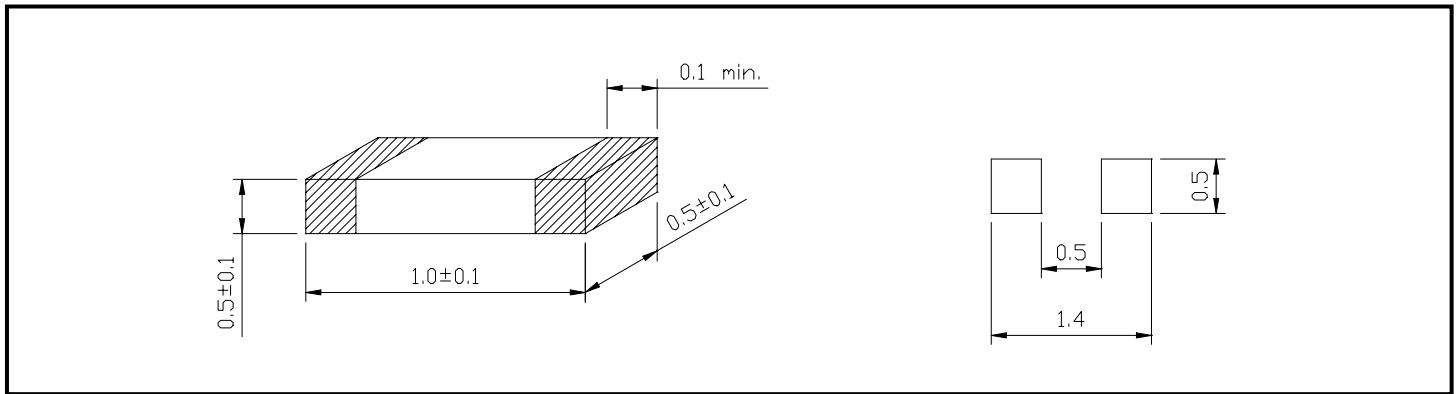
RoHS Compliant

PART NUMBERING SYSTEM

<u>MB</u>	<u>1005</u>	—	<u>300</u>	—	<u>LF</u>
TYPE	DIMENSIONS		IMPEDANCE		LEAD FREE

SHAPES AND DIMENSIONS

UNIT : mm



SPECIFICATION TABLE

PART NUMBER	IMPEDANCE (Ω) at 100MHz	DCR (Ω) (max)	IDC (mA) (max)
MB1005-300-LF	10±25%	0.05	500
MB1005-300-LF	30±25%	0.20	300
MB1005-600-LF	60±25%	0.40	200
MB1005-121-LF	120±25%	0.50	200
MB1005-241-LF	240±25%	0.40	200
MB1005-301-LF	300±25%	0.75	100
MB1005-471-LF	470±25%	0.90	100
MB1005-601-LF	600±25%	1.10	50
MB1005-102-LF	1000±25%	1.50	50

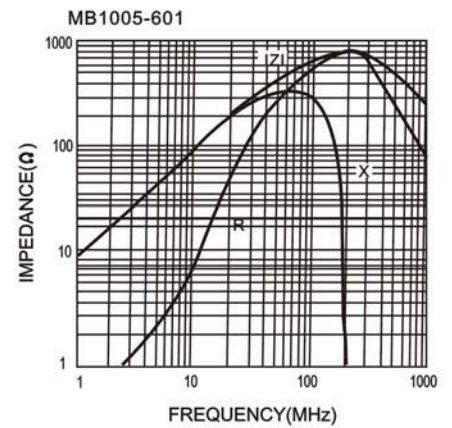
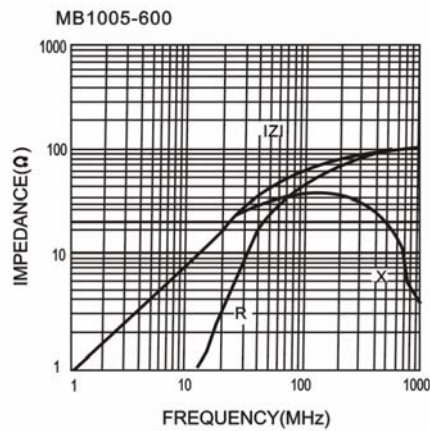
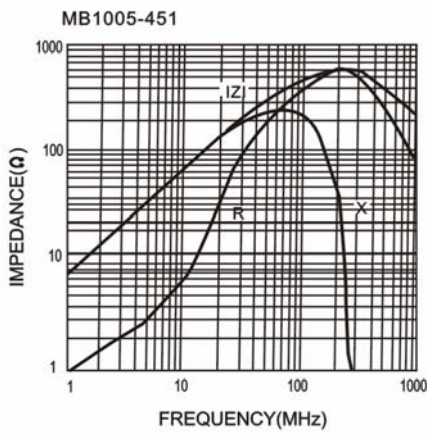
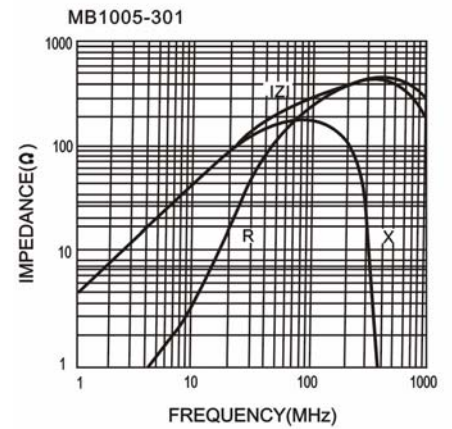
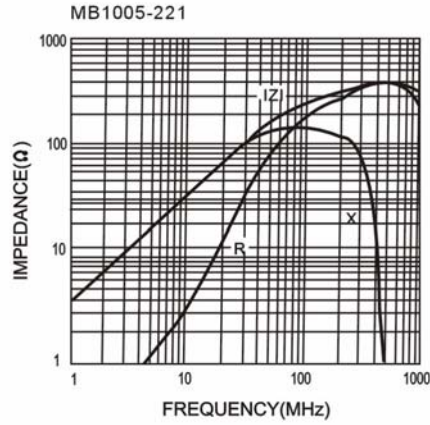
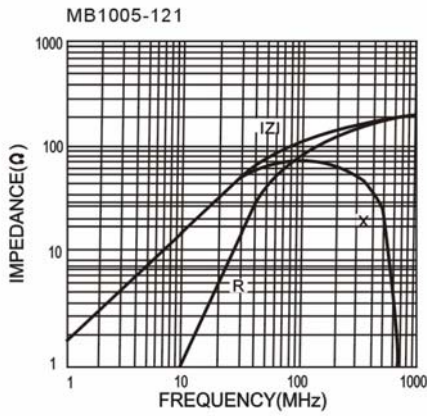
- Test equipment : Agilent/HP-4291A impedance analyzer or equipment .
- Operating temperature range -55°C to +125°C , Electrical specifications at 25°C.



RoHS Compliant

Multilayer Chip Suppressions / Chip Beads

IMPEDANCE vs FREQUENCY

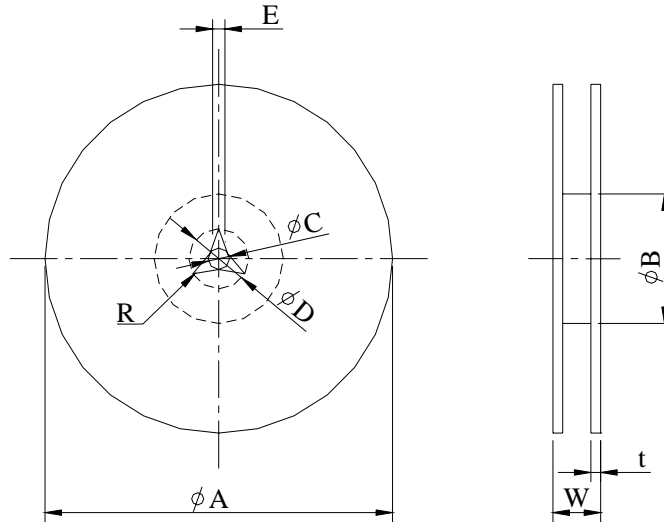




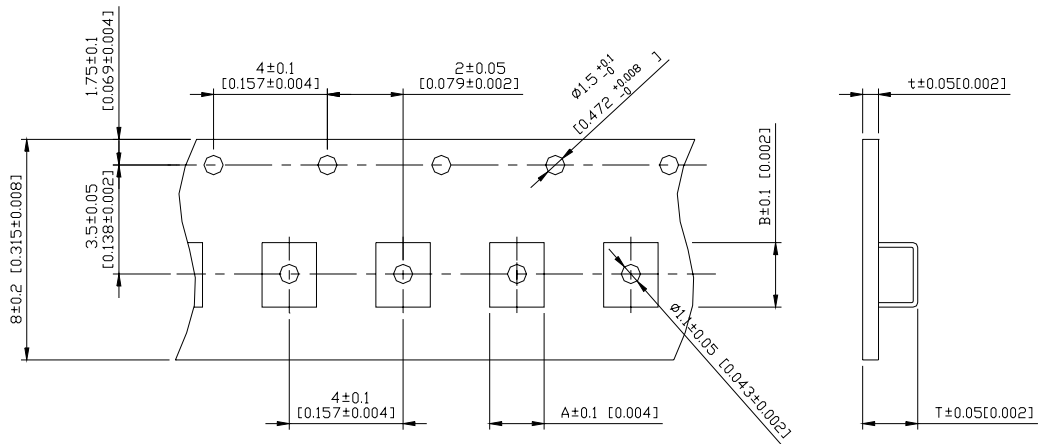
RoHS Compliant

Multilayer Chip Suppressions / Chip Beads

PACKAGING SPECIFICATION



	A	B	C	D	E	W8	W12	t	R
T($\phi 178\text{mm}$) Reel	$\phi 178\pm 2$	$\phi 60\pm 1$	$\phi 13\pm 0.8$	$\phi 21\pm 0.8$	2	10 ± 1.5	14.5 ± 1.5	1.27 ± 0.2	1
T($\phi 330\text{mm}$) Reel	$\phi 330\pm 2$	$\phi 100\pm 2$	$\phi 13\pm 0.8$	$\phi 21\pm 0.8$	2	10 ± 1.5	14.5 ± 1.5	1.27 ± 0.2	1



TYPE	A	B	T	t	T($\phi 178\text{mm}$)	T($\phi 330\text{mm}$)
MB1005	0.65	1.15	0.80	0.2	10000 pcs/reel	—