



# SQH8040S SERIES ~ **New Products**



RoHS Compliant

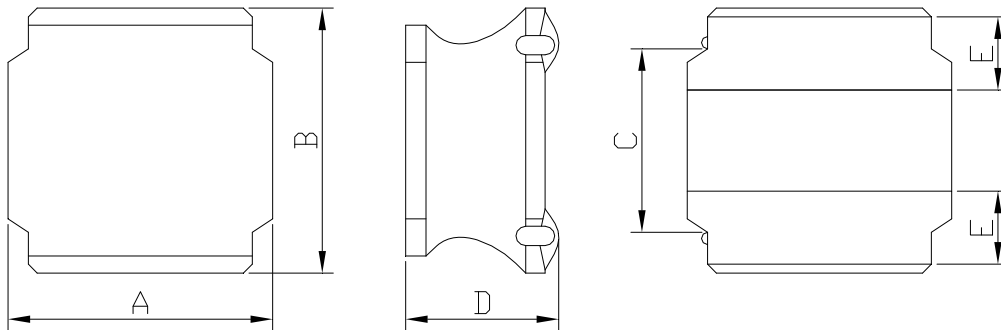
## Low Profile SMD Power Inductors

### PART NUMBERING SYSTEM

<b>SQH</b>	<b>8040S</b>	—	<b>220M</b>	—	<b>LF</b>
TYPE	DIMENSIONS		INDUCTANCE		LEAD FREE

### SHAPES AND DIMENSIONS

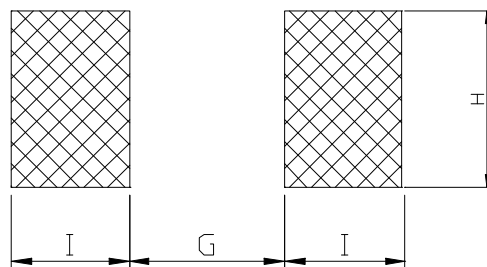
UNIT : mm



A=6.2 Max. B=6.2 Max. C=4.0 Ref. D=4.0 Max. E=1.35±0.2

### RECOMMENDED PATTERNS

UNIT : mm



G= 3.10 H= 5.70 I = 1.60

### FEATURES

- \* Low profile and small inductors ( 6.2mm Max. square and 4.0mm Max. height )
- \* Magnetically shielded construction and high current
- \* Ideal for DC-DC converter choke coil for portable equipments ( DVDs , DSC , Cellular , PDAs )
- \* RoHS compliant option with lead free



# SQH8040S SERIES ~ **New Products**

## Low Profile SMD Power Inductors



RoHS Compliant

### SPECIFICATION TABLE

PART NUMBER	INDUCTANCE ( $\mu$ H)	DCR (m $\Omega$ ) (Max.)	Isat (A) (Max.)	Irms (mA) (Max.)	TEST FREQ. ( f )
SQH8040S-0R9N-LF	0.9 $\pm$ 30%	7.80	11.0	7.80	100KHz
SQH8040S-1R4N-LF	1.4 $\pm$ 30%	9.10	9.00	7.00	100KHz
SQH8040S-2R0N-LF	2.0 $\pm$ 30%	11.7	7.40	6.30	100KHz
SQH8040S-3R6M-LF	3.6 $\pm$ 30%	19.5	5.30	4.90	100KHz
SQH8040S-4R7N-LF	4.7 $\pm$ 30%	23.4	4.70	4.10	100KHz
SQH8040S-6R8N-LF	6.8 $\pm$ 30%	32.5	4.00	3.70	100KHz
SQH8040S-100M-LF	10 $\pm$ 20%	44.2	3.40	3.10	100KHz
SQH8040S-150M-LF	15 $\pm$ 20%	65.0	2.70	2.40	100KHz
SQH8040S-220M-LF	22 $\pm$ 20%	85.8	2.20	2.20	100KHz
SQH8040S-330M-LF	33 $\pm$ 20%	130	1.90	1.70	100KHz
SQH8040S-470M-LF	47 $\pm$ 20%	195	1.50	1.40	100KHz
SQH8040S-680M-LF	68 $\pm$ 20%	299	1.20	1.10	100KHz
SQH8040S-101M-LF	100 $\pm$ 20%	377	1.00	1.00	100KHz

- Isat : DC current at which the inductance drops 30%(typ) from its value without current.
- Irms : The temperature rise current value is the DC current value having temperature increase up 40°C temperature rise from 20°C ambient.
- Operating temperature range -40°C to +85°C , Electrical specifications at 20°C .