



SQH4026S SERIES ~ **New Products**



RoHS Compliant

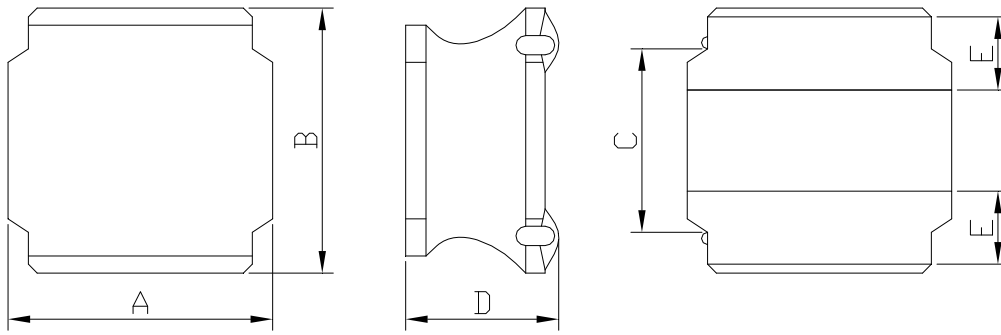
Low Profile SMD Power Inductors

PART NUMBERING SYSTEM

SQH	4 0 2 6 S	—	4 R 7 M	—	LF
TYPE	DIMENSIONS		INDUCTANCE		LEAD FREE

SHAPES AND DIMENSIONS

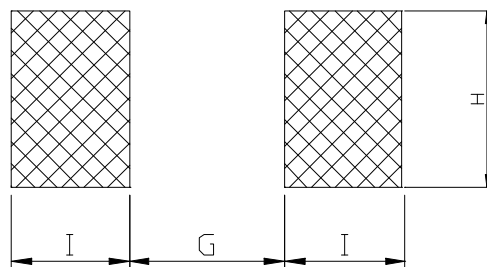
UNIT : mm



A=4.2 Max. B=4.2 Max. C=2.5 Ref. D=2.6 Max. E=1.1±0.2

RECOMMENDED PATTERNS

UNIT : mm



G= 1.40 H= 3.60 I = 1.20

FEATURES

- * Low profile and small inductors (4.2mm Max. square and 2.6mm Max. height)
- * Magnetically shielded construction and high current
- * Ideal for DC-DC converter choke coil for portable equipments (DVDs , DSC , Cellular , PDAs)
- * RoHS compliant option with lead free



SQH4026S SERIES ~ **New Products**

Low Profile SMD Power Inductors



RoHS Compliant

SPECIFICATION TABLE

PART NUMBER	INDUCTANCE (μ H)	DCR (m Ω) (Max.)	Isat (A) (Max.)	Irms (A) (Max.)	TEST FREQ. (f)
SQH4026S-1R2N-LF	1.2 \pm 30%	39.0	3.10	2.30	100KHz
SQH4026S-2R3N-LF	2.3 \pm 30%	52.0	2.10	1.97	100KHz
SQH4026S-3R5M-LF	3.5 \pm 20%	65.0	1.80	1.70	100KHz
SQH4026S-4R7M-LF	4.7 \pm 20%	71.5	1.45	1.60	100KHz
SQH4026S-6R6M-LF	6.6 \pm 20%	84.5	1.30	1.50	100KHz
SQH4026S-100M-LF	10 \pm 20%	110.5	1.00	1.30	100KHz
SQH4026S-150M-LF	15 \pm 20%	143.0	0.90	1.10	100KHz
SQH4026S-220M-LF	22 \pm 20%	214.5	0.61	0.90	100KHz
SQH4026S-330M-LF	33 \pm 20%	260.0	0.54	0.80	100KHz
SQH4026S-470M-LF	47 \pm 20%	390.0	0.41	0.65	100KHz

- Isat : DC current at which the inductance drops 30%(typ) from its value without current.
- Irms : The temperature rise current value is the DC current value having temperature increase up 40°C temperature rise from 20°C ambient.
- Operating temperature range -40°C to +85°C , Electrical specifications at 20°C .