



## SQH4012 SERIES – Low Profile SMD Power Inductors

***New Products***



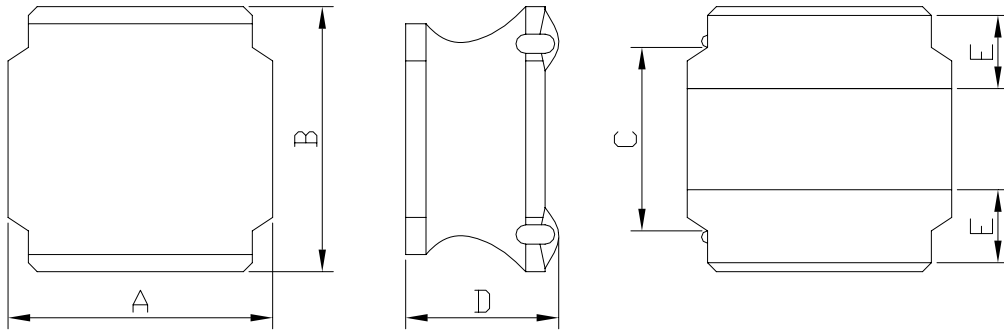
RoHS Compliant

### PART NUMBERING SYSTEM

<b>SQH</b>	<b>4 0 1 2</b>	<b>—</b>	<b>2 R 2 M</b>	<b>— LF</b>
TYPE	DIMENSIONS		INDUCTANCE	LEAD FREE

### SHAPES AND DIMENSIONS

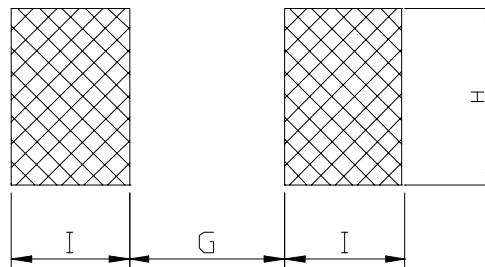
UNIT : mm



**A=4.2 Max. B=4.2 Max. C=2.5 Ref. D=1.2 Max. E=1.1±0.2**

### RECOMMENDED PATTERNS

UNIT : mm



**G= 1.40 H= 3.60 I = 1.20**

### FEATURES

- \* Low profile and small inductors ( 4.2mm Max. square and 1.2mm Max. height )
- \* Magnetically shielded construction and high current
- \* Ideal for DC-DC converter choke coil for portable equipments ( DVDs , DSC , Cellular , PDAs )
- \* RoHS compliant option with lead free



## SQH4012 SERIES –Low Profile SMD Power Inductors

***New Products***



RoHS Compliant

### SPECIFICATION TABLE

PART NUMBER	INDUCTANCE ( $\mu$ H)	DCR ( $\Omega$ ) (Max.)	IDC (mA) (Max.)	TEST FREQ. ( f )
SQH4012S-2R2M-LF	2.2 $\pm$ 20%	0.117	1200	100KHz
SQH4012S-3R3M-LF	3.3 $\pm$ 20%	0.169	980	100KHz
SQH4012S-4R7M-LF	4.7 $\pm$ 20%	0.182	960	100KHz
SQH4012S-6R8M-LF	6.8 $\pm$ 20%	0.234	840	100KHz
SQH4012S-100M-LF	10 $\pm$ 20%	0.312	740	100KHz
SQH4012S-150M-LF	15 $\pm$ 20%	0.520	560	100KHz
SQH4012S-220M-LF	22 $\pm$ 20%	0.624	510	100KHz
SQH4012S-330M-LF	33 $\pm$ 20%	1.053	400	100KHz
SQH4012S-470M-LF	47 $\pm$ 20%	1.300	350	100KHz

- Isat : DC current at which the inductance drops 30%(typ) from its value without current.
- Irms : : Average current for 40°C temperature rise from 20°C ambient.
- Operating temperature range -40°C to +85°C , Electrical specifications at 20°C .
- Packaging : **13" machine-ready reel** EIA-481 embossed plastic tape (4500 parts per full reel)