



SQH3015S SERIES ~ **New Products**

Low Profile SMD Power Inductors

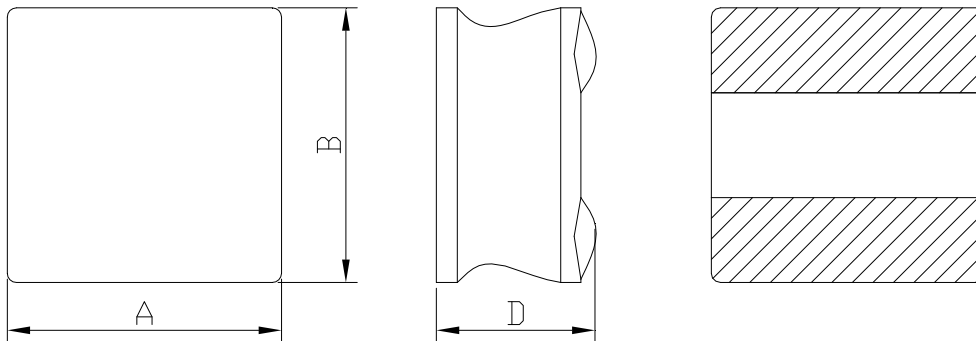


PART NUMBERING SYSTEM

| | | | | | |
|------------|------------------|---|----------------|---|-----------|
| SQH | 3 0 1 5 S | — | 1 R 0 M | — | LF |
| TYPE | DIMENSIONS | | INDUCTANCE | | LEAD FREE |

SHAPES AND DIMENSIONS

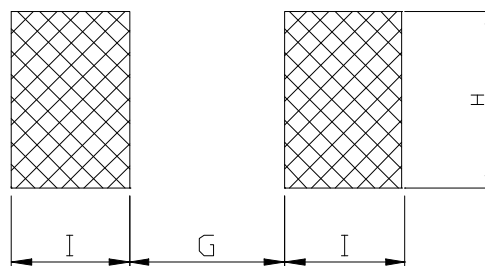
UNIT : mm



A=3.1 Max. B=3.1 Max. C=1.9±0.2 D=1.5 Max. E=0.9±0.2

RECOMMENDED PATTERNS

UNIT : mm



G= 1.40 H= 2.70 I = 0.80

FEATURES

- * Low profile and small inductors (3.1mm Max. square and 1.5mm Max. height)
- * Magnetically shielded construction and high current
- * Ideal for DC-DC converter choke coil for portable equipments (DVDs , DSC , Cellular , PDAs)
- * RoHS compliant option with lead free



SQH3015S SERIES ~ **New Products**



RoHS Compliant

Low Profile SMD Power Inductors

SPECIFICATION TABLE

| PART NUMBER | INDUCTANCE (μ H) | DCR (Ω) (Max.) | Isat(A) (Max.) | Irms(A) (Max.) | TEST FREQ. (f) |
|------------------|--------------------------|----------------------------|-------------------|-------------------|---------------------|
| SQH3015S-1R0N-LF | 1.0 \pm 30% | 0.036 | 2.10 | 2.10 | 100KHz/1V |
| SQH3015S-1R5N-LF | 1.5 \pm 30% | 0.048 | 1.80 | 1.82 | 100KHz/1V |
| SQH3015S-2R2M-LF | 2.2 \pm 20% | 0.072 | 1.48 | 1.50 | 100KHz/1V |
| SQH3015S-3R3M-LF | 3.3 \pm 20% | 0.096 | 1.21 | 1.23 | 100KHz/1V |
| SQH3015S-4R7M-LF | 4.7 \pm 20% | 0.144 | 1.02 | 1.04 | 100KHz/1V |
| SQH3015S-6R8M-LF | 6.8 \pm 20% | 0.192 | 0.87 | 0.88 | 100KHz/1V |
| SQH3015S-100M-LF | 10.0 \pm 20% | 0.276 | 0.70 | 0.71 | 100KHz/1V |
| SQH3015S-150M-LF | 15.0 \pm 20% | 0.432 | 0.56 | 0.56 | 100KHz/1V |
| SQH3015S-220M-LF | 22.0 \pm 20% | 0.624 | 0.47 | 0.47 | 100KHz/1V |
| SQH3015S-330M-LF | 33.0 \pm 20% | 1.008 | 0.39 | 0.37 | 100KHz/1V |
| SQH3015S-470M-LF | 47.0 \pm 20% | 1.608 | 0.32 | 0.30 | 100KHz/1V |

- Isat : DC current at which the inductance drops 30%(typ) from its value without current.
- Irms : The temperature rise current value is the DC current value having temperature increase up 40°C temperature rise from 20°C ambient.
- Operating temperature range -40°C to +85°C , Electrical specifications at 20°C .