



Coilmaster Electronics Co., Ltd.

9F-3 No.398, Huan Bei Rd. Chung Li City, Taoyuan 320, Taiwan
Tel : +886-3-422-8279 Fax : +886-3-422-8734

E-mail : info@coilmaster.com.tw

Web Site : www.coilmaster.com.tw

SQH3010S SERIES –Low Profile SMD Power Inductors

New Products



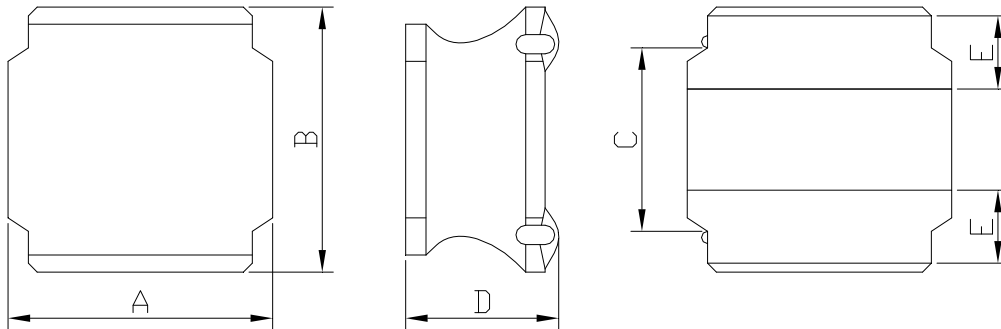
RoHS Compliant

PART NUMBERING SYSTEM

SQH	3010S	—	100M	—	LF
TYPE	DIMENSIONS		INDUCTANCE		LEAD FREE

SHAPES AND DIMENSIONS

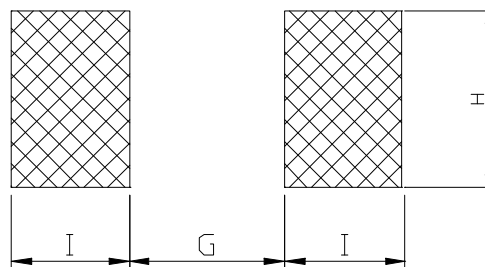
UNIT : mm



A=3.1 Max. B=3.1 Max. C=1.9±0.2 D=1.0 Max. E=0.9±0.2

RECOMMENDED PATTERNS

UNIT : mm



G= 1.40 H= 2.70 I = 0.80

FEATURES

- * Low profile and small inductors (3.1mm Max. square and 1.0mm Max. height)
- * Magnetically shielded construction and high current
- * Ideal for DC-DC converter choke coil for portable equipments (DVDs , DSC , Cellular , PDAs)
- * RoHS compliant option with lead free



Coilmaster Electronics Co., Ltd.

9F-3 No.398, Huan Bei Rd. Chung Li City, Taoyuan 320, Taiwan
Tel : +886-3-422-8279 Fax : +886-3-422-8734

E-mail : info@coilmaster.com.tw

Web Site : www.coilmaster.com.tw

SQH3010S SERIES –Low Profile SMD Power Inductors

New Products



RoHS Compliant

SPECIFICATION TABLE

PART NUMBER	INDUCTANCE (μ H)	DCR (Ω) (Max.)	Isat (mA) (Max.)	Irms (mA) (Max.)	TEST FREQ. (f)
SQH3010S-1R0N-LF	1.0 \pm 30%	0.085	1300	1400	100KHz
SQH3010S-1R5N-LF	1.5 \pm 30%	0.104	1200	1300	100KHz
SQH3010S-2R2M-LF	2.2 \pm 20%	0.124	1100	1100	100KHz
SQH3010S-3R3M-LF	3.3 \pm 20%	0.182	870	940	100KHz
SQH3010S-4R7M-LF	4.7 \pm 20%	0.247	750	780	100KHz
SQH3010S-6R8M-LF	6.8 \pm 20%	0.390	610	630	100KHz
SQH3010S-100M-LF	10 \pm 20%	0.585	500	510	100KHz
SQH3010S-150M-LF	15 \pm 20%	0.962	400	400	100KHz
SQH3010S-220M-LF	22 \pm 20%	1.339	350	350	100KHz
SQH3010S-330M-LF	33 \pm 20%	2.015	260	275	100KHz
SQH3010S-470M-LF	47 \pm 20%	2.665	220	235	100KHz

- Isat : DC current at which the inductance drops 30%(typ) from its value without current.
- Irms : The temperature rise current value is the DC current value having temperature increase up 40°C temperature rise from 20°C ambient.
- Operating temperature range -40°C to +85°C , Electrical specifications at 20°C .