



RJ3244F SERIES ~

THROUGH HOLE RJ45/DUAL USB JACK WITH 10/100 MAGNETIC



RoHS Compliant

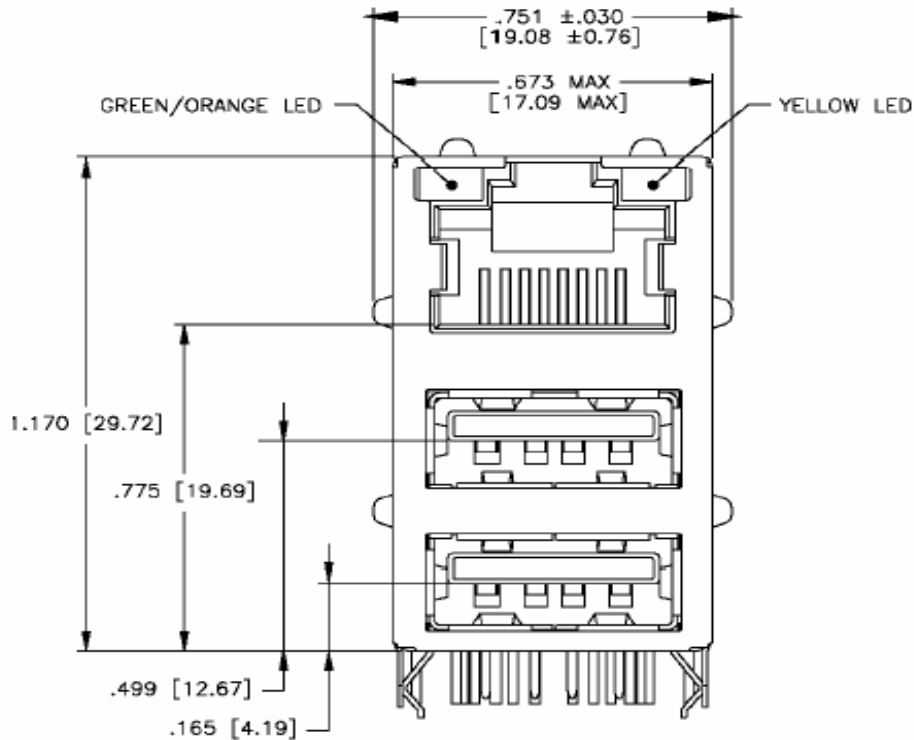
FEATURES

- LAN interface suitable for 10/100Base-TX applications
- RJ45/USB stacked design saves on PCB real estate
- USB module complies with USB 2.0 standards and meets CAT5 Fast Ethernet industry performance standard
- Magnetics are 100% electrically tested for HI-POT and continuity
- Meets or exceeds IEEE 802.3 and ANSI X3.263 standards including 350uH minimum OCL with 8mA bias

ELECTRICAL SPECIFICATIONS

P/N	Turns Ratio		Data Rate	LEDs L/R	Insertion Loss TX/RX (dB Typ.)	Return Loss @100Ω±15Ω (dB Typ.) MHz			Common Mode Rejection (dB Typ.) MHz		Cross Talk (dB Typ.) MHz			Hipot Vrms @60Hz
	TX	RX				1-65MHz	1~10	30	60~80	1-50	50-130	1-10	32-60	
	RJ3244F-10101DYD2-LF	1CT:1		1CT:1	10/100	G-O/Y	-1	-20	-16	-12	-30	-20	-40	-35

DIMENSIONS





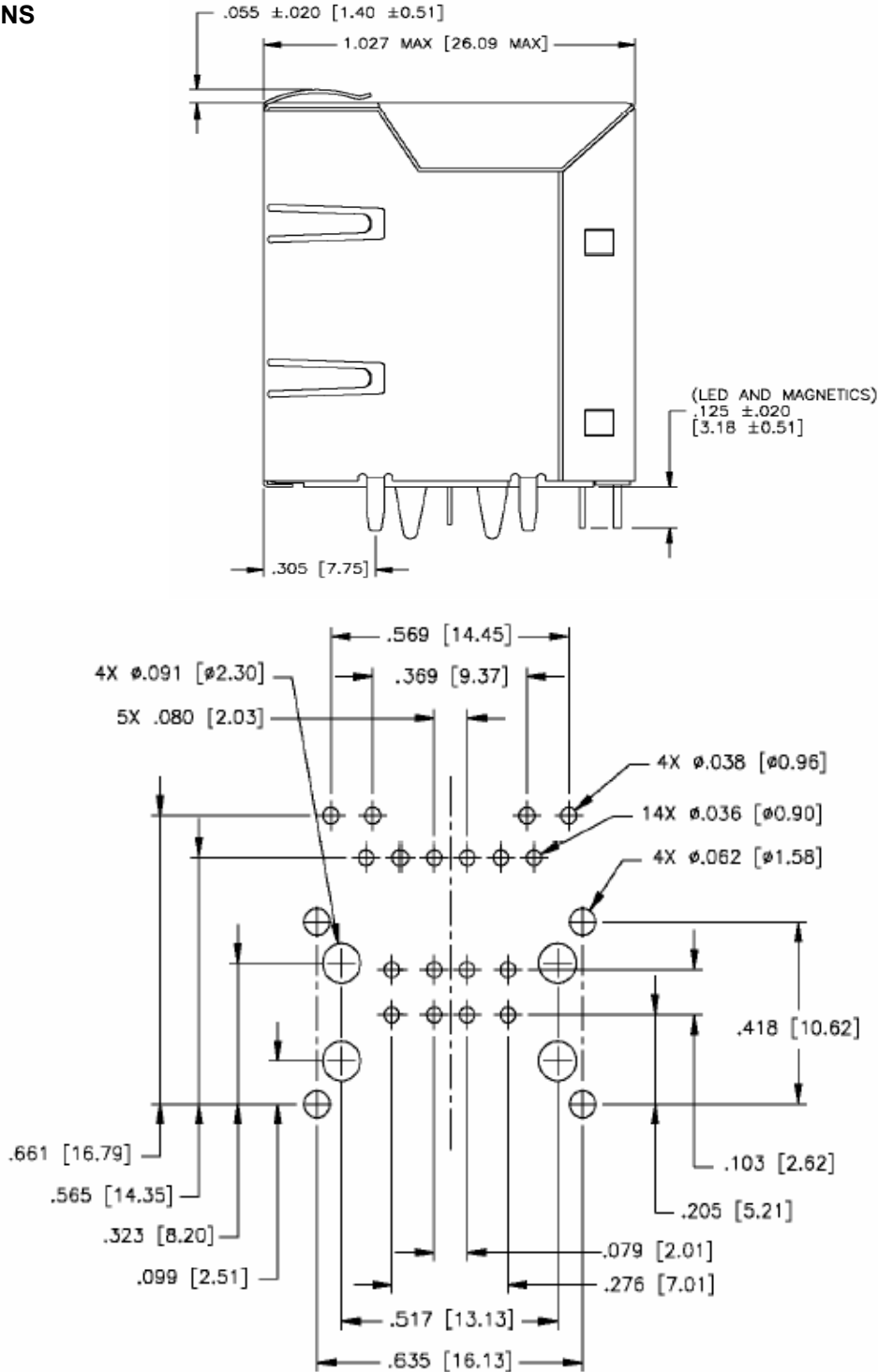
RJ3244F SERIES ~

THROUGH HOLE RJ45/DUAL USB JACK WITH 10/100 MAGNETIC



RoHS Compliant

DIMENSIONS



SUGGESTED FOOTPRINT (SHOWN FROM COMPONENT SIDE)

DIMENSIONAL TOLERANCE: INCHES [METRIC]

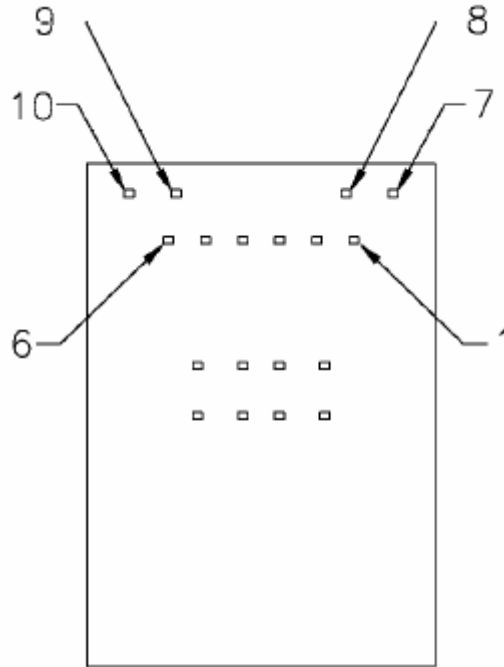
.XXX ±.003 [X.XX ±0.08]



RJ3244F SERIES ~

THROUGH HOLE RJ45/DUAL USB JACK WITH 10/100 MAGNETIC

DIMENSIONS



PIN CONFIGURATION (SHOWN FROM COMPONENT SIDE)



RoHS Compliant

SCHEMATICS

