

Surface Mount 1X1 Tab-Up RJ45 Jack With 10/100 Magnetics



Coilmaster Electronics Co., Ltd.

PART NUMBERING SYSTEM

RJ32 — 19201 — X — X — LF
 Type Model Mechanical LED table Lead Free

(1) RJ32 Series Mechanical :

A	With LED and EMI-Finger
B	With LED and Non EMI-Finger
C	Without LED with EMI-Finger
D	Without LED and EMI-Finger



(2) LED ordering options :

LED Code	LED COLOR		LED POLARITY
	LEFT	RIGHT	
G	Y	G	10 [⊖] 9 [⊖] 12 [⊖] 11 [⊖]
H	G	Y	

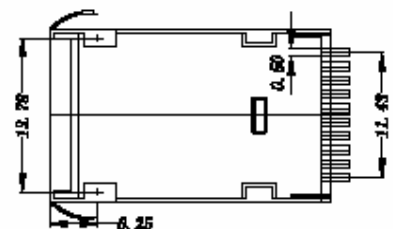
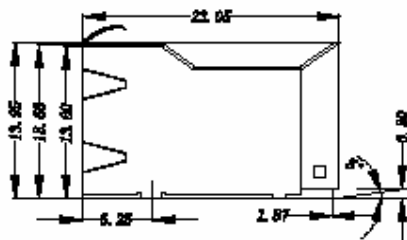
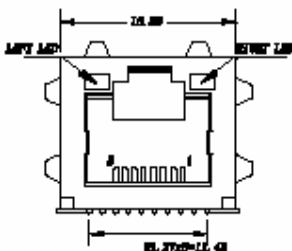


FEATURES

1. Available in **Tape & Reel** format
2. SMT product available with or without LEDs
3. Internal magnetics : 100% electrically tested for Hi-Pot & continuity
4. For RoHS part add suffix LF
5. **RoHS compliant peak solder rating 235°C**

SHAPES AND DIMENSIONS

Mechanicals A : With LED and EMI-Finger



Surface Mount 1X1 Tab-Up RJ45 Jack With 10/100 Magnetics



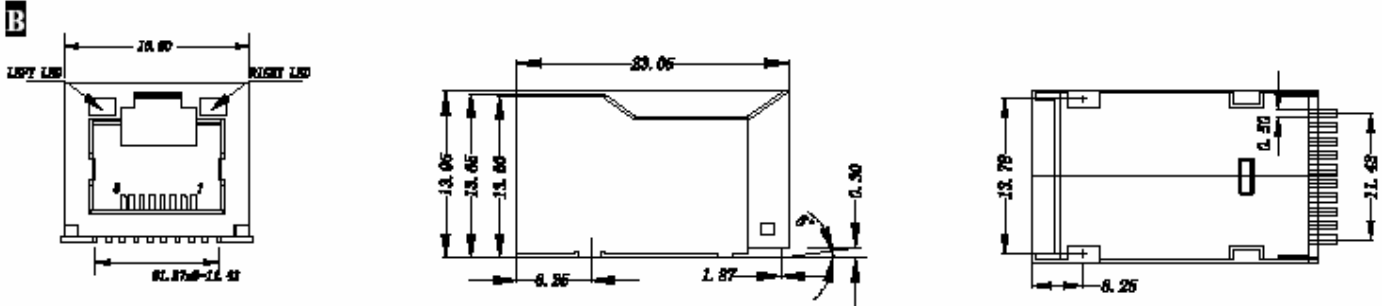
Coilmaster Electronics Co., Ltd.

SHAPES AND DIMENSIONS

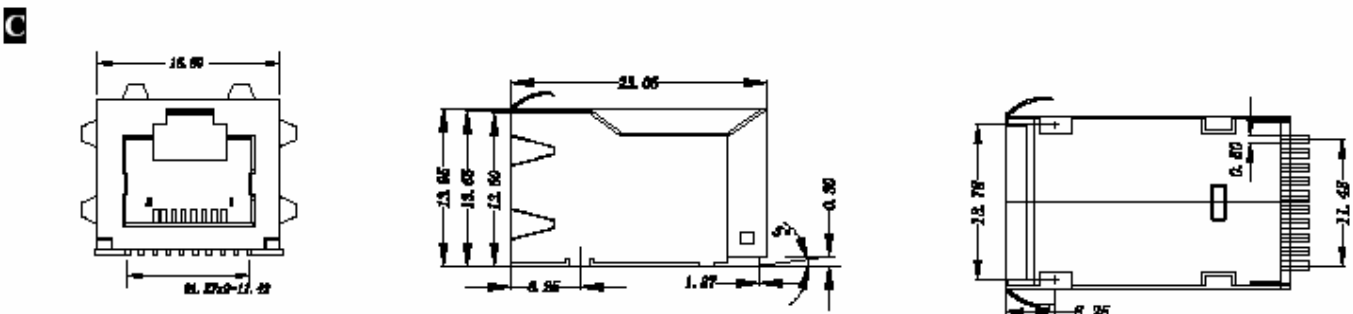


RoHS Compliant

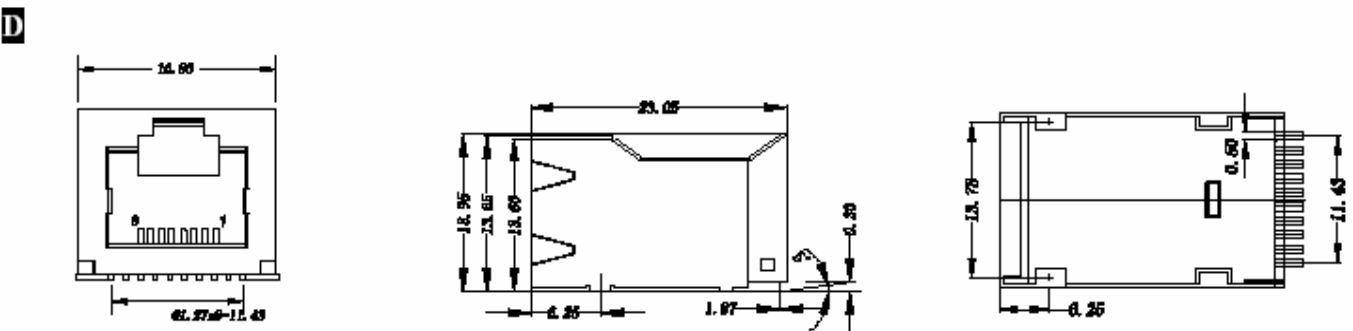
Mechanicals B : With LED and Non EMI-Finger



Mechanicals C : Without LED with EMI-Finger



Mechanicals D : Without LED and EMI-Finger

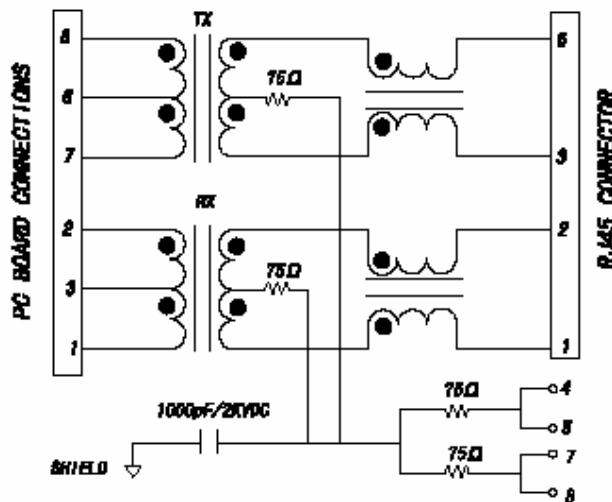


Surface Mount 1X1 Tab-Up RJ45 Jack With 10/100 Magnetics



Coilmaster Electronics Co., Ltd.

Schematics



FEATURES

1. Available in **Tape & Reel** format
2. SMT product available with or without LEDs
3. Internal magnetics : 100% electrically tested for Hi-Pot & continuity
4. For RoHS part add suffix LF
5. **RoHS compliant peak solder rating 235°C**

ELECTRICAL CHARACTERISTICS @ 25°C --- Operating Temperature 0°C to 70°C

PART NUMBER	Turns Ratios		Insertion Loss (dB Max.)		Return loss (dB Min @ 100Ω) MHz		Crosstalk (dB Min) MHz	Hipot (Vrms Min)
	TX	RX	1-180MHz	100MHz	1-60	60-100		
RJ32-19201-LF	1CT:1	1CT:1	-1.0	-1.2	-14	-10	-40	1500