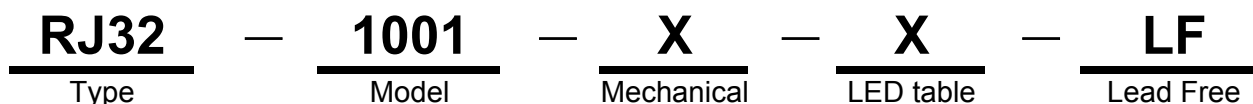


10/100Base-TX RJ45 Connector With Integrated Magnetics(Tab-Down)



Coilmaster Electronics Co., Ltd.

PART NUMBERING SYSTEM



(1) RJ32 Series Mechanical :

A	With LED and EMI-Finger (8Pin)
B	With LED and Non EMI-Finger (8Pin)
C	Without LED with EMI-Finger (8Pin)
D	Without LED and EMI-Finger (8Pin)
E	With LED and EMI-Finger(6Pin)



RoHS Compliant

(2) LED ordering options :

LED Code	LED COLOR		LED POLARITY
	LEFT	RIGHT	
A	Y	G	9
B	G	Y	10
C	G	G	12
D	Y	G	11
E	G	Y	9
F	G	G	10
G	Y	G	12
H	G	Y	9
J	Y	G	12
K	G	OG	11

FEATURES

- Designed to support applications, such as SOHO(ADSL modems) , LAN-on-Motherboard (LOM), Hub and Switches.
- 1x1 Tab-Down RJ45 with internal magnetics
- Available with or without LEDs
- Meets or exceeds IEEE 802.3 standard for 100Base-T
- 350uH Minimum OCL with 8mA bias current
- **RoHS compliant peak solder rating 235°C**

10/100Base-TX RJ45 Connector With Integrated Magnetics(Tab-Down)



Coilmaster Electronics Co., Ltd.

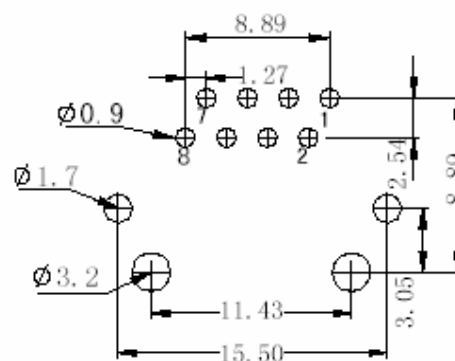
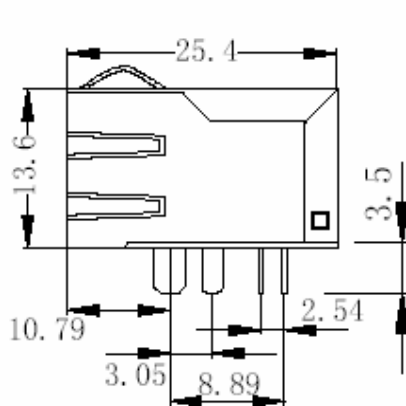
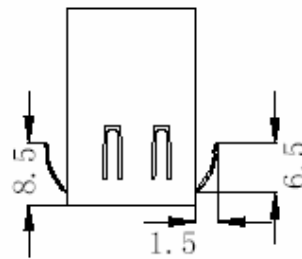
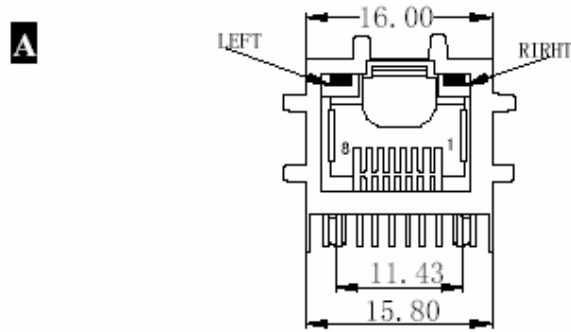
SHAPES AND DIMENSIONS



RoHS Compliant

SHAPES AND DIMENSIONS

Mechanical A : LED color Y(Left) & G(Right)



10/100Base-TX RJ45 Connector With Integrated Magnetics(Tab-Down)



Coilmaster Electronics Co., Ltd.

SHAPES AND DIMENSIONS

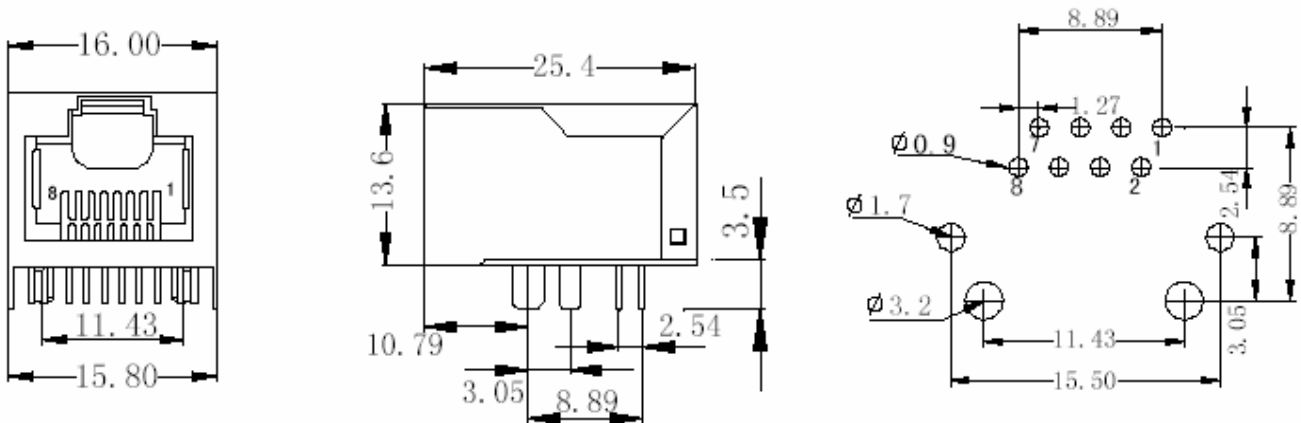


RoHS Compliant

SHAPES AND DIMENSIONS

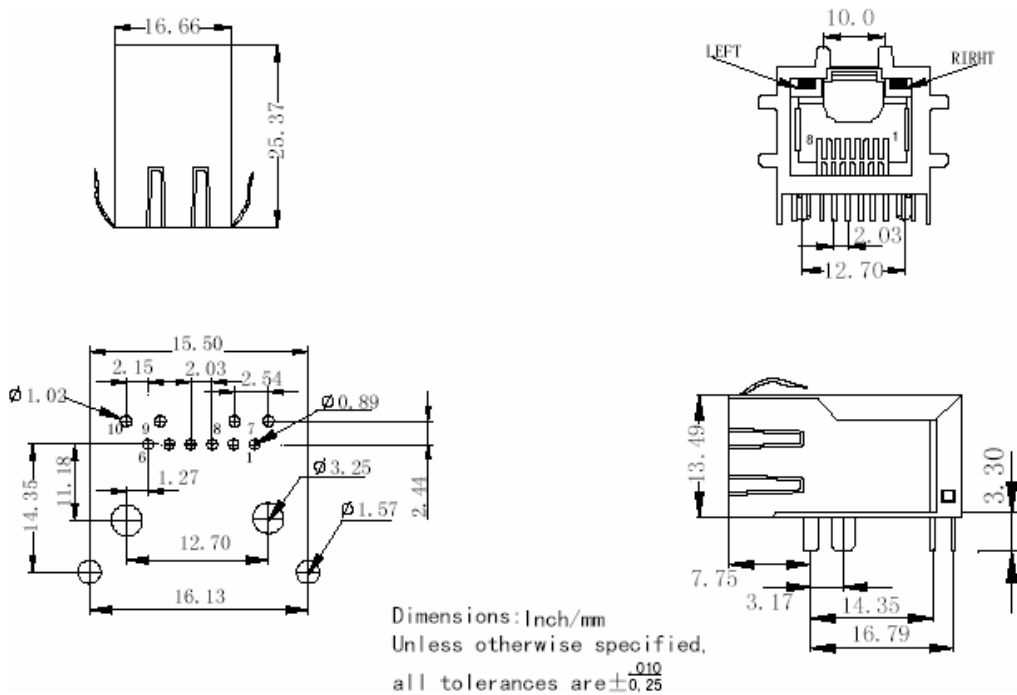
Mechanicals D : LED color Y(Left) & G(Right)

D



Mechanicals E : LED color G(Left) & Y(Right)

E



10/100Base-TX RJ45 Connector With Integrated Magnetics(Tab-Down)



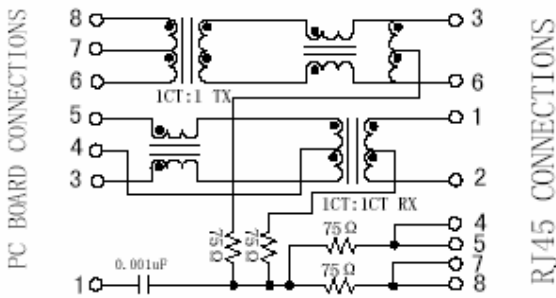
Coilmaster Electronics Co., Ltd.

Schematics

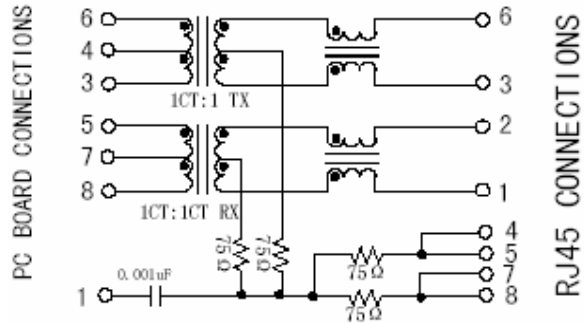


RoHS Compliant

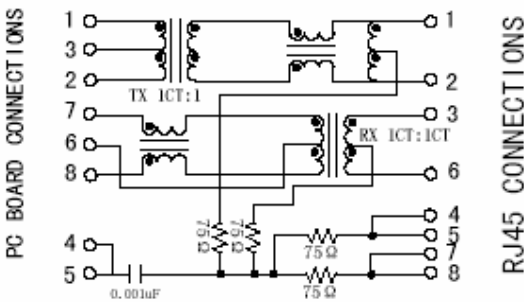
RJ32-0006-LF



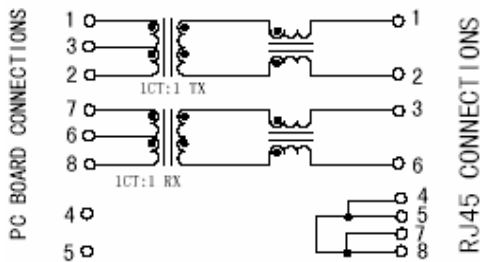
RJ32-0011-LF



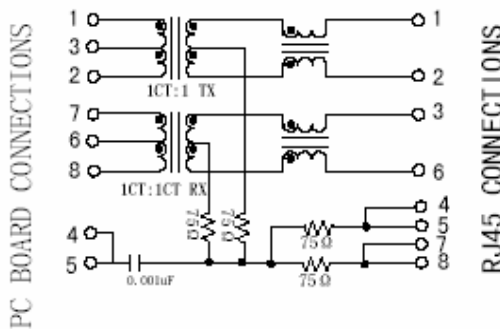
RJ32-0012-LF



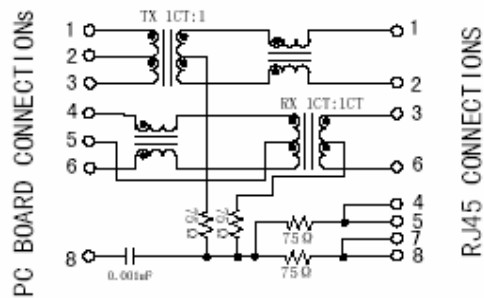
RJ32-0018-LF



RJ32-0012-LF



RJ32-0018-LF



10/100Base-TX RJ45 Connector With Integrated Magnetics(Tab-Down)

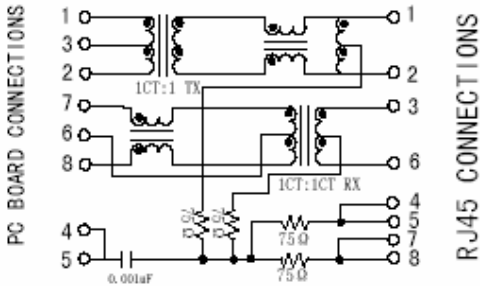


Coilmaster Electronics Co., Ltd.

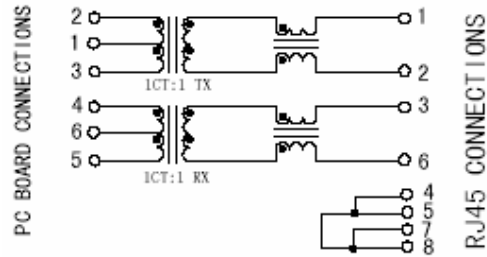
Schematics



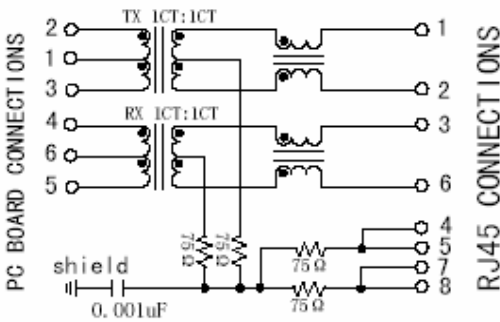
RJ32-0006-LF



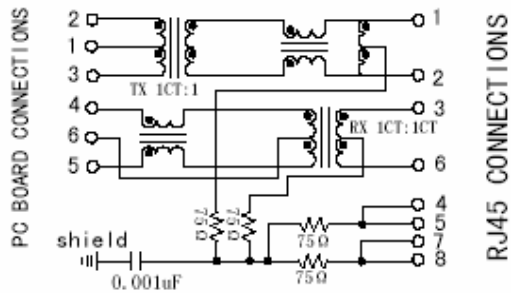
RJ32-0011-LF



RJ32-0012-LF



RJ32-0018-LF



10/100Base-TX RJ45 Connector

With Integrated

Magnetics(Tab-Down)



Coilmaster Electronics Co., Ltd

FEATURES

- Designed to support applications, such as SOHO(ADSL modems) , LAN-on-Motherboard (LOM), Hub and Switches.
- 1x1 Tab-Down RJ45 with internal magnetics
- Available with or without LEDs
- Meets or exceeds IEEE 802.3 standard for 100Base-T
- 350uH Minimum OCL with 8mA bias current
- **RoHS compliant peak solder rating 235°C**

ELECTRICAL CHARACTERISTICS @ 25°C --- Operating Temperature 0°C to 70°C

PART NUMBER	Turns Ratios		Insertion Loss (dB Typ) 1-65MHz	Return loss (dB Typ) 100Ω±15Ω MHz				Crosstalk (dB Typ) MHz			Common Mode Rejection (dB Typ)		Hipot (Vrms Min) @60Hz 1Min
	TX	RX		1-10	10-30	30-60	60-100	1-30	30-60	60-100	1-50	50-150	
RJ32-1001-LF	1CT:1	1CT:1	-1.0	-20	-16	-12	-10	-40	-35	-30	-30	-20	1500
RJ32-1002-LF	1CT:1	1CT:1	-1.0	-20	-16	-12	-10	-40	-35	-30	-30	-20	1500
RJ32-1006-LF	1CT:1	1CT:1T	-1.0	-20	-16	-12	-10	-40	-35	-30	-30	-20	1500
RJ32-1011-LF	1CT:1	1CT:1	-1.0	-20	-16	-12	-10	-40	-35	-30	-30	-20	1500
RJ32-1012-LF	1CT:1	1CT:1	-1.0	-20	-16	-12	-10	-40	-35	-30	-30	-20	1500
RJ32-1026-LF	1CT:1	1CT:1	-1.0	-20	-16	-12	-10	-40	-35	-30	-30	-20	1500
RJ32-2006-LF	1CT:1	1CT:1	-1.0	-20	-16	-12	-10	-40	-35	-30	-30	-20	1500
RJ32-2011-LF	1CT:1	1CT:1	-1.0	-20	-16	-12	-10	-40	-35	-30	-30	-20	1500
RJ32-2026-LF	1CT:1	1CT:1	-1.0	-20	-16	-12	-10	-40	-35	-30	-30	-20	1500