

RCB0912 SERIES



PART NUMBERING SYSTEM

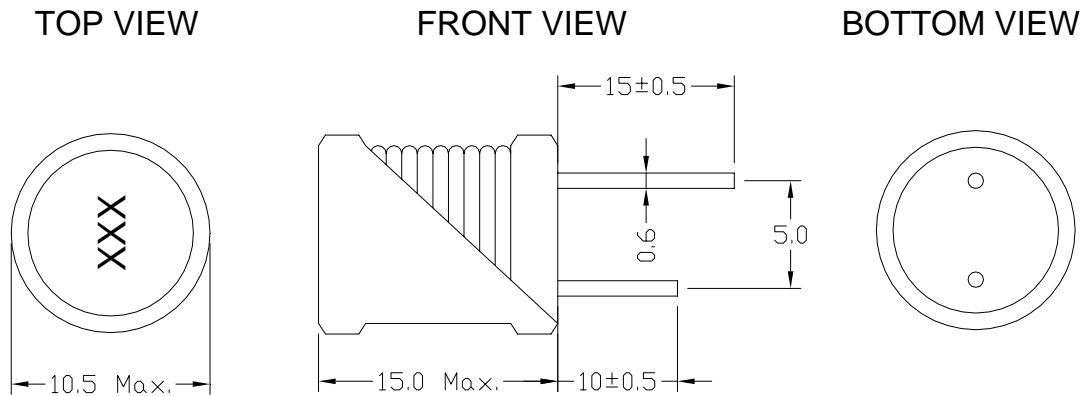
<u>RCB</u>	<u>0912U</u>	-	<u>100K</u>	-	<u>LF</u>
TYPE	DIMENSIONS		INDUCTANCE		LEAD FREE

U : UL Tube

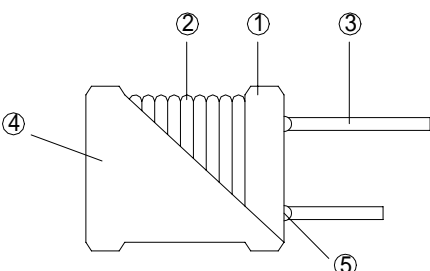
P : PVC Tube

SHAPES AND DIMENSIONS

UNIT : mm



STRUCTURAL DIAGRAM :

	COMPONENT	MATERIALS
	1.Core	Ferrite core
	2.Wire	Polyurethane enameled copper wires
	3.Lead wire	Tinned copper wires
	4.Tube	Heat shrinkable tube, PVC or UL
	5.Glue	Epoxy resin



RCB0912 SERIES



RoHS Compliant

SPECIFICATION TABLE

PART NUMBER	INDUCTANCE (μ H)	Q (min)	DCR () (max)	IDC (mA) (max)	SRF(MHz) (min)	TEST FREQ. (f)
RCB0912-100K-LF	10	110	0.04	2800	24	2.52MHz
RCB0912-120K-LF	12	110	0.04	2700	18	2.52MHz
RCB0912-150K-LF	15	110	0.05	2300	11	2.52MHz
RCB0912-180K-LF	18	90	0.06	2100	8.4	2.52MHz
RCB0912-220K-LF	22	90	0.07	2000	9.2	2.52MHz
RCB0912-270K-LF	27	90	0.10	1700	7.1	2.52MHz
RCB0912-330K-LF	33	90	0.12	1500	7.1	2.52MHz
RCB0912-390K-LF	39	80	0.12	1400	6.9	2.52MHz
RCB0912-470K-LF	47	70	0.13	1300	6.0	2.52MHz
RCB0912-560K-LF	56	70	0.14	1200	5.7	2.52MHz
RCB0912-680K-LF	68	60	0.15	1000	5.4	2.52MHz
RCB0912-820K-LF	82	50	0.16	900	4.6	2.52MHz
RCB0912-101K-LF	100	60	0.25	700	4.0	796KHz
RCB0912-121K-LF	120	60	0.28	700	3.6	796KHz
RCB0912-151K-LF	150	55	0.32	700	3.1	796KHz
RCB0912-181K-LF	180	55	0.47	600	2.8	796KHz
RCB0912-221K-LF	220	55	0.53	500	2.5	796KHz
RCB0912-271K-LF	270	50	0.60	450	2.4	796KHz
RCB0912-331K-LF	330	50	0.85	400	2.0	796KHz
RCB0912-391K-LF	390	50	0.95	350	2.1	796KHz
RCB0912-471K-LF	470	40	1.1	350	1.9	796KHz
RCB0912-561K-LF	560	30	1.2	300	1.8	796KHz
RCB0912-681K-LF	680	30	1.3	250	1.7	796KHz
RCB0912-821K-LF	820	30	1.4	200	1.5	796KHz
RCB0912-102K-LF	1000	70	2.0	200	1.1	252KHz
RCB0912-122K-LF	1200	70	2.3	180	1.0	252KHz



RCB0912 SERIES



RoHS Compliant

SPECIFICATION TABLE

PART NUMBER	INDUCTANCE (μ H)	Q (min)	DCR () (max)	IDC (mA) (max)	SRF(MHz) (min)	TEST FREQ. (f)
RCB0912-152K-LF	1500	70	2.9	150	1.0	252KHz
RCB0912-182K-LF	1800	70	3.3	120	0.9	252KHz
RCB0912-222K-LF	2200	70	4.5	110	0.7	252KHz
RCB0912-272K-LF	2700	70	5.5	90	0.7	252KHz
RCB0912-332K-LF	3300	60	5.7	80	0.6	252KHz
RCB0912-392K-LF	3900	60	6.5	80	0.6	252KHz
RCB0912-472K-LF	4700	60	7.2	60	0.6	252KHz
RCB0912-562K-LF	5600	60	9.5	50	0.5	252KHz
RCB0912-682K-LF	6800	60	11	50	0.5	252KHz
RCB0912-822K-LF	8200	50	13	50	0.4	252KHz
RCB0912-103K-LF	10000	120	16	40	0.3	79.6KHz
RCB0912-123K-LF	12000	120	18	40	0.3	79.6KHz
RCB0912-153K-LF	15000	110	21	40	0.3	79.6KHz
RCB0912-183K-LF	18000	110	23	40	0.3	79.6KHz
RCB0912-223K-LF	22000	110	33	35	0.2	79.6KHz
RCB0912-273K-LF	27000	100	37	35	0.2	79.6KHz
RCB0912-333K-LF	33000	90	42	35	0.2	79.6KHz
RCB0912-393K-LF	39000	90	45	30	0.2	79.6KHz
RCB0912-473K-LF	47000	80	52	30	0.2	79.6KHz

1. Operating temperature range -40 to +85
2. Electrical specifications at 25