



RCB0709P SERIES ~ Through Hole Power Inductors



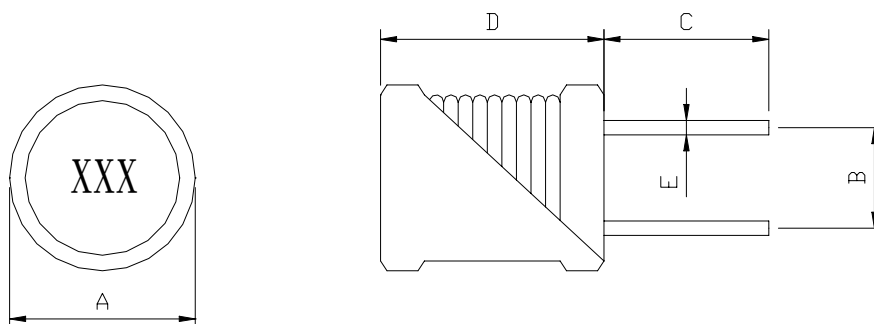
RoHS Compliant

PART NUMBERING SYSTEM

RDR	0709P	—	680K	—	LF
TYPE	DIMENSIONS		INDUCTANCE		LEAD FREE

U : UL Tube
 P : PVC Tube

SHAPES AND DIMENSIONS



A=8.0 Max. B=5.0±1.0 C=5.0±1.0 D=10.5 Max. E=0.65±0.1

STRUCTURAL DIAGRAM :

	COMPONENT	MATERIALS
	1.Core	Ferrite core
	2.Wire	Polyurethane enameled copper wires
	3.Lead wire	Tinned copper wires
	4.Tube	Heat shrinkable tube, PVC or UL
5.Glue	Epoxy resin	



RCB0709P SERIES ~ Through Hole Power Inductors



RoHS Compliant

SPECIFICATION TABLE

PART NUMBER	INDUCTANCE (μ H)	Q (min)	DCR (Ω) (max)	IDC (A) (max)	SRF(MHz) (min)	TEST FREQ. (f)
RCB0709P-1R0M-LF	1.0	10	0.006	6.6	70	1KHz
RCB0709P-1R5M-LF	1.5	10	0.008	5.4	56	1KHz
RCB0709P-2R2M-LF	2.2	10	0.011	4.0	45	1KHz
RCB0709P-3R3M-LF	3.3	10	0.018	3.6	36	1KHz
RCB0709P-4R7M-LF	4.7	10	0.022	3.1	29	1KHz
RCB0709P-6R8M-LF	6.8	10	0.028	2.5	24	1KHz
RCB0709P-100K-LF	10	20	0.043	2.1	19	1KHz
RCB0709P-150K-LF	15	20	0.056	1.7	15	1KHz
RCB0709P-220K-LF	22	20	0.086	1.4	12	1KHz
RCB0709P-330K-LF	33	20	0.14	1.1	9.4	1KHz
RCB0709P-470K-LF	47	20	0.17	0.96	7.6	1KHz
RCB0709P-680K-LF	68	20	0.28	0.79	6.2	1KHz
RCB0709P-101K-LF	100	20	0.33	0.66	5.0	1KHz
RCB0709P-151K-LF	150	20	0.56	0.53	4.0	1KHz
RCB0709P-221K-LF	220	20	0.72	0.44	3.2	1KHz
RCB0709P-331K-LF	330	20	1.1	0.36	2.5	1KHz
RCB0709P-471K-LF	470	20	1.7	0.30	2.0	1KHz
RCB0709P-681K-LF	680	20	2.3	0.25	1.7	1KHz
RCB0709P-102K-LF	1000	70	4.3	0.20	1.3	1KHz
RCB0709P-152K-LF	1500	50	5.0	0.17	1.3	1KHz

- * Inductance Tolerance: M=20% ; K=10%
- * Current to cause 20% Max. inductance drop.
- * Operating temperature range -40°C to +85°C
- * Electrical specifications at 25°C