



# Planar Transformers ~ PE55RX-LF SERIES



RoHS Compliant

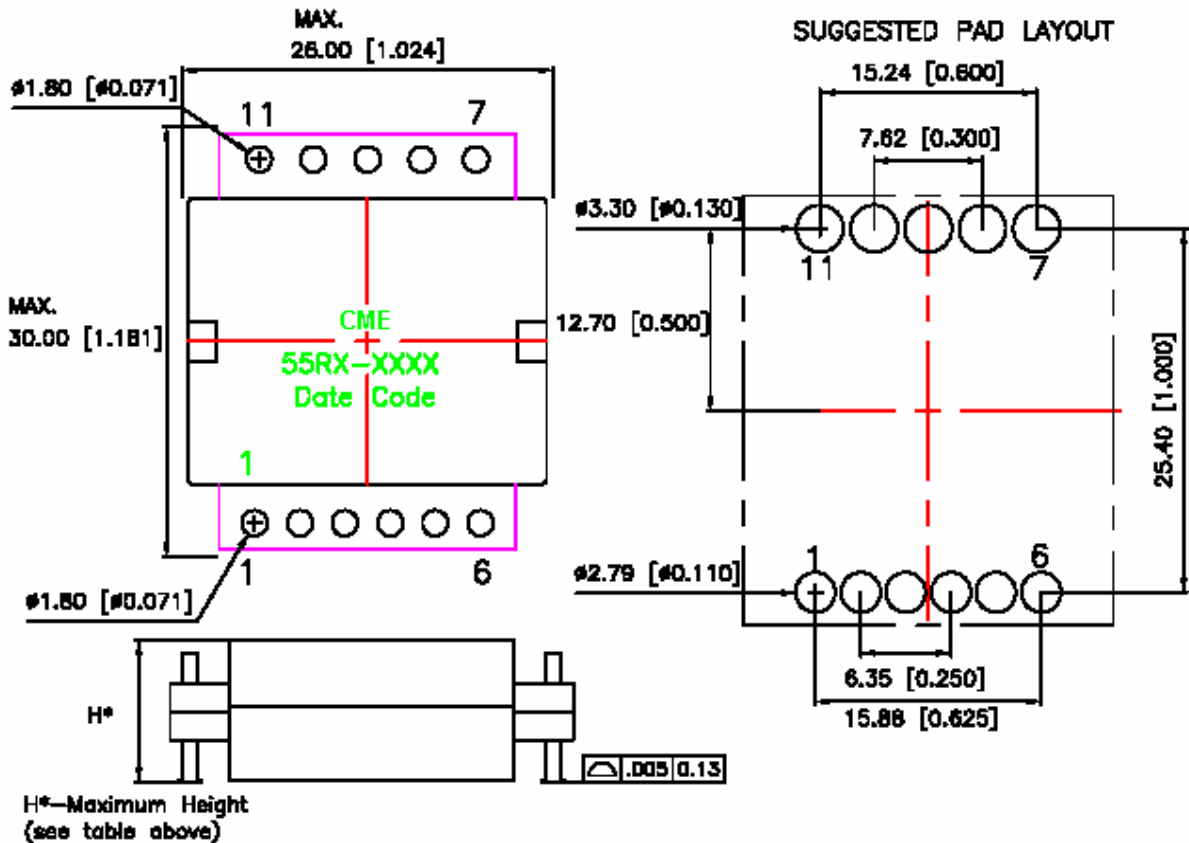
## PART NUMBERING SYSTEM



## FEATURES

1. Power Rating : to **350W** forward converter
2. Height : Both type for **7.40mm Max. and 10.2mm Max.**
3. **Footprint : 30.0x26.0 mm Max.**
4. Frequency range from 100KHz to 700KHz typical .
5. **Isolation** ( Primary to Secondary & core ) : **2000Vdc**
6. RoHS-compliant. 260°C compatible.

## SHAPES AND DIMENSIONS





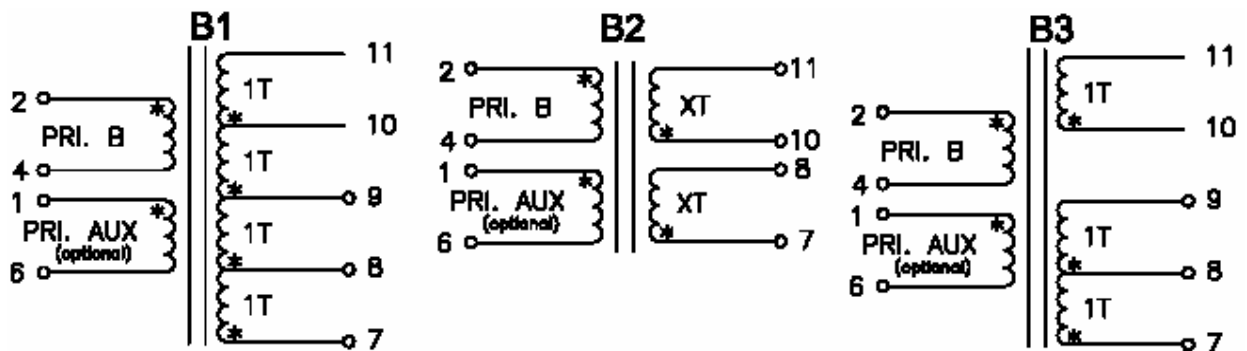
# Planar Transformers ~ PE55RX-LF SERIES



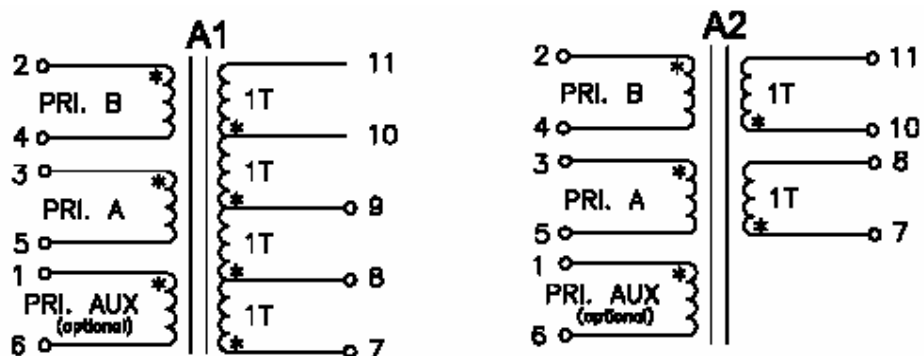
RoHS Compliant

## Inductance vs Current Characteristics

### Single Interleave Schematics



### Double Interleave Schematics





## Planar Transformers ~ PE55RX-LF SERIES

### ELECTRICAL CHARACTERISTICS :

PART NUMBER	Primary Inductance ( uH Min.)	Leakage Inductance ( uH typ.)	DCR (mΩ) typ.				Turns		Ht (mm)	Schematic
			Pri. A	Pri. B	Aux.	Sec.	Primary	Sec.	Max.	
<b>Single Interleave Designs</b>										
PE55R1-4444-LF	54	0.100	7	-	-	7.0	4T	4T	7.4	B1
PE55R1-5544-LF	85	0.100	12	-	470	7.0	5T	4T	7.4	B1
PE55R1-6644-LF	120	0.200	17	-	156	7.0	6T	4T	7.4	B1
PE55R1-7744-LF	165	0.300	25	-	160	7.0	7T	4T	7.4	B1
PE55R1-8844-LF	215	0.400	32	-	-	7.0	8T&8T	4T	7.4	B1
PE55R1-4477-LF	54	0.100	7	-	-	46&46	4T&4T	7T&7T	7.4	B2
PE55R1-5577-LF	85	0.100	12	-	470	46&46	5T	7T&7T	7.4	B2
PE55R1-6677-LF	120	0.100	17	-	156	46&46	6T	7T&7T	7.4	B2
PE55R1-7777-LF	165	0.200	25	-	160	46&46	7T	7T&7T	7.4	B2
PE55R2-8877-LF	215	0.300	32	-	-	46&46	8T&8T	7T&7T	7.4	B2
PE55R1-4411-LF	54	0.100	7	-	-	0.9&0.9	4T&4T	1T&1T	7.4	B2
PE55R1-5511-LF	85	0.100	12	-	470	0.9&0.9	5T	1T&1T	7.4	B2
PE55R1-6611-LF	120	0.200	17	-	156	0.9&0.9	6T	1T&1T	7.4	B2
PE55R1-7711-LF	165	0.400	25	-	160	0.9&0.9	7T	1T&1T	7.4	B2
PE55R2-8811-LF	215	0.500	32	-	-	0.9&0.9	8T&8T	1T&1T	7.4	B2
PE55R1-4421-LF	54	0.100	7	-	-	4&1	4T&4T	2T&1T	7.4	B3
PE55R1-5521-LF	85	0.100	12	-	470	4&1	5T	2T&1T	7.4	B3
PE55R1-6621-LF	120	0.200	17	-	156	4&1	6T	2T&1T	7.4	B3
PE55R1-7721-LF	165	0.200	25	-	160	4&1	7T	2T&1T	7.4	B3
PE55R2-8821-LF	215	0.300	32	-	-	4&1	8T&8T	2T&1T	7.4	B3

Note : Inductance is measured with both primary windings connected in series ( 2 to 5 , with 3 & 4 shorted )

Leakage inductance is measured on winding ( 2 to 4 ) with all other windings shorted .



**Coilmaster Electronics Co., Ltd.**

[info@coilmaster.com.tw](mailto:info@coilmaster.com.tw)

TEL : +886-3-422-8279 FAX : +886-3-422-8734

[www.coilmaster.com.tw](http://www.coilmaster.com.tw)

9F-3 No.398, Huan Bei Road, Chung Li City , Taoyuan 320, Taiwan .

## Planar Transformers ~ PE55RX-LF SERIES

### ELECTRICAL CHARACTERISTICS :

PART NUMBER	Primary Inductance ( uH Min.)	Leakage Inductance ( uH typ.)	DCR (mΩ) typ.				Turns		Ht (mm)	Schematic
			Pri. A	Pri. B	Aux.	Sec.	Primary	Sec.	Max.	
<b>Double Interleave Designs</b>										
PE55R2-4444-LF	216	0.100	7	7	-	3.5	4T&4T	4T	10.2	A1
PE55R2-5544-LF	340	0.100	12	12	235	3.5	5T&5T	4T	10.2	A1
PE55R2-6644-LF	480	0.100	17	17	78	3.5	6T&6T	4T	10.2	A1
PE55R2-7744-LF	660	0.200	25	25	80	3.5	7T&7T	4T	10.2	A1
PE55R2-8844-LF	860	0.300	32	32	-	3.5	8T&8T	4T	10.2	A1
PE55R2-4411-LF	216	0.100	7	7	-	0.45&0.45	4T&4T	1T&1T	10.2	A2
PE55R2-5511-LF	340	0.100	12	12	235	0.45&0.45	5T&5T	1T&1T	10.2	A2
PE55R2-6611-LF	480	0.300	17	17	78	0.45&0.45	6T&6T	1T&1T	10.2	A2
PE55R2-7711-LF	660	0.500	25	25	80	0.45&0.45	7T&7T	1T&1T	10.2	A2
PE55R2-8811-LF	860	0.500	32	32	-	0.45&0.45	8T&8T	1T&1T	10.2	A2

Note : Inductance is measured with both primary windings connected in series ( 2 to 5 , with 3 & 4 shorted )

Leakage inductance is measured on winding ( 2 to 4 ) with all other windings shorted .