



## RDR654 SERIES ~ Through Hole Power Inductors



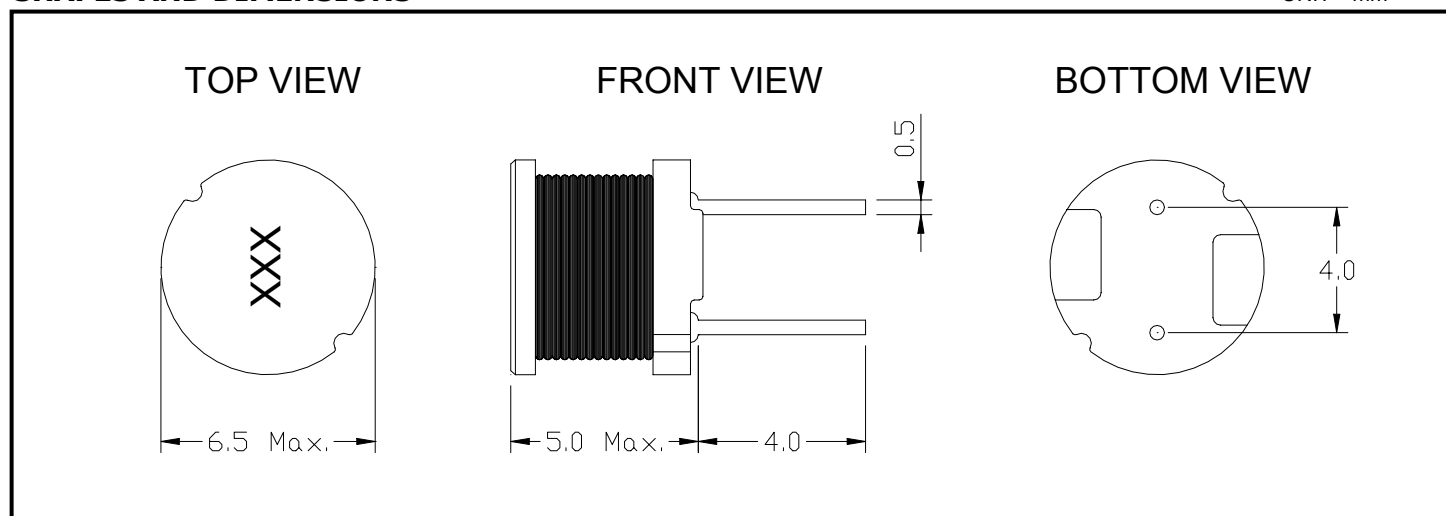
RoHS Compliant

### PART NUMBERING SYSTEM

<b>RDR</b>	<b>6 5 4</b>	—	<b>6 8 0 K</b>	—	<b>LF</b>
TYPE	DIMENSIONS		INDUCTANCE		LEAD FREE

### SHAPES AND DIMENSIONS

UNIT : mm



**PLATING / SOLDER : TIN-SILVER-COPPER (95.5%/4.0%/0.5%)**

### FEATURES

- **Low cost, high efficiency** option for choke applications
- Inductance values from **1.0 to 1,000uH** .
- Current ratings **up to 3.0 Amps**
- Industry standard **4 mm lead spacing**
- **RoHS-compliant.**



## RDR654 SERIES ~ Through Hole Power Inductors



RoHS Compliant

### SPECIFICATION TABLE

PART NUMBER	INDUCTANCE ( $\mu$ H)	DCR ( $\Omega$ ) (Max.)	IDC (A) (Max.)	TEST FREQ. (f)
RDR654-1R0M-LF	1.0 $\pm$ 20%	0.029	3.00	7.96MHz
RDR654-1R5M-LF	1.5 $\pm$ 20%	0.034	2.85	7.96MHz
RDR654-2R0M-LF	2.0 $\pm$ 20%	0.039	0.48	7.96MHz
RDR654-2R5M-LF	2.5 $\pm$ 20%	0.043	2.21	7.96MHz
RDR654-3R3M-LF	3.3 $\pm$ 20%	0.048	1.98	7.96MHz
RDR654-3R9M-LF	3.9 $\pm$ 20%	0.055	1.83	7.96MHz
RDR654-4R7M-LF	4.7 $\pm$ 20%	0.060	1.74	7.96MHz
RDR654-5R6M-LF	5.6 $\pm$ 20%	0.066	1.53	7.96MHz
RDR654-6R2M-LF	6.2 $\pm$ 20%	0.072	1.44	7.96MHz
RDR654-7R2M-LF	7.2 $\pm$ 20%	0.078	1.35	7.96MHz
RDR654-8R2M-LF	8.2 $\pm$ 20%	0.085	1.26	7.96MHz
RDR654-100M-LF	10 $\pm$ 20%	0.091	1.20	2.52MHz
RDR654-120 K-LF	12 $\pm$ 10%	0.10	1.05	2.52MHz
RDR654-150 K-LF	15 $\pm$ 10%	0.12	0.98	2.52MHz
RDR654-180 K-LF	18 $\pm$ 10%	0.13	0.93	2.52MHz
RDR654-220 K-LF	22 $\pm$ 10%	0.18	0.90	2.52MHz
RDR654-270 K-LF	27 $\pm$ 10%	0.21	0.81	2.52MHz
RDR654-330 K-LF	33 $\pm$ 10%	0.27	0.74	2.52MHz
RDR654-390 K-LF	39 $\pm$ 10%	0.29	0.68	2.52MHz
RDR654-470 K-LF	47 $\pm$ 10%	0.34	0.62	2.52MHz
RDR654-560 K-LF	56 $\pm$ 10%	0.42	0.57	2.52MHz
RDR654-680 K-LF	68 $\pm$ 10%	0.48	0.51	2.52MHz
RDR654-820 K-LF	82 $\pm$ 10%	0.55	0.47	2.52MHz
RDR654-101 K-LF	100 $\pm$ 10%	0.68	0.42	1KHz
RDR654-121 K-LF	120 $\pm$ 10%	0.77	0.39	1KHz
RDR654-151 K-LF	150 $\pm$ 10%	0.95	0.35	1KHz
RDR654-181 K-LF	180 $\pm$ 10%	1.15	0.32	1KHz
RDR654-221 K-LF	220 $\pm$ 10%	1.30	0.29	1KHz
RDR654-271 K-LF	270 $\pm$ 10%	1.55	0.26	1KHz
RDR654-331 K-LF	330 $\pm$ 10%	2.18	0.23	1KHz
RDR654-391 K-LF	390 $\pm$ 10%	2.47	0.21	1KHz
RDR654-471 K-LF	470 $\pm$ 10%	2.92	0.20	1KHz
RDR654-561 K-LF	560 $\pm$ 10%	3.97	0.18	1KHz
RDR654-681 K-LF	680 $\pm$ 10%	4.57	0.16	1KHz
RDR654-821 K-LF	820 $\pm$ 10%	5.28	0.15	1KHz
RDR654-102 K-LF	1000 $\pm$ 10%	7.06	0.13	1KHz

1. Operating temperature range -40°C to +85°C
2. Electrical specifications at 25°C