



## RDS875D SERIES ~ Through Hole Shielded Inductors



RoHS Compliant

### FEATURES

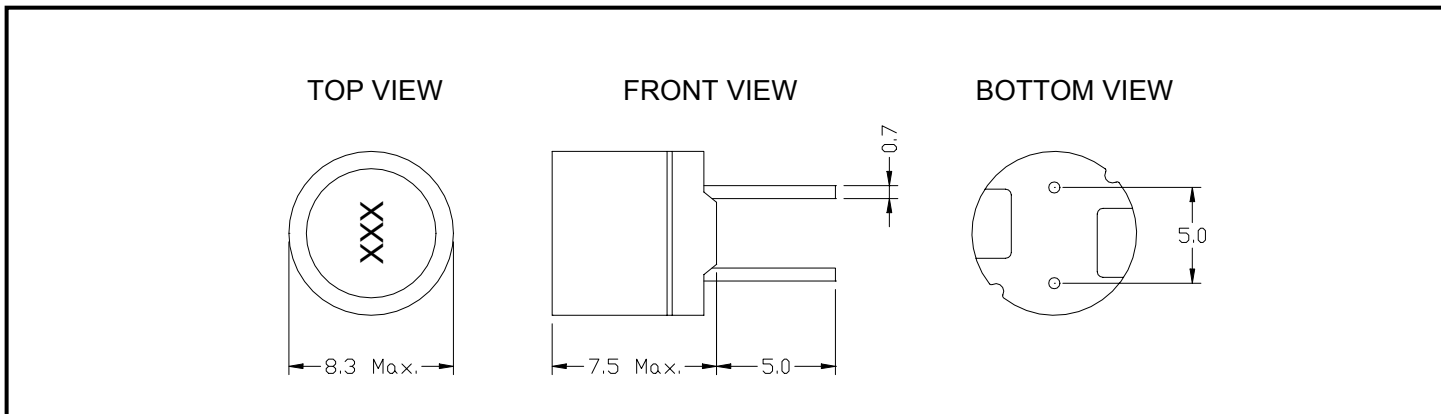
- Magnetically shielded construction and low leakage flux type .
- 5.0mm-pitch , 2 terminal and low profile fixed inductors .
- Ideal for use as an inductor for high current power supplies in all types of electronic instruments .
- Lead free and RoHS compliant

### PART NUMBERING SYSTEM

<b>RDS</b>	<b>8 7 5 D</b>	—	<b>2 2 0 M</b>	—	<b>LF</b>
TYPE	DIMENSIONS		INDUCTANCE		LEAD FREE

### SHAPES AND DIMENSIONS

UNIT : mm



**PLATING / SOLDER : TIN-SILVER-COPPER (95.5%/4.0%/0.5%)**



## RDS875D SERIES ~ Through Hole Shielded Inductors



RoHS Compliant

### SPECIFICATION TABLE

PART NUMBER	INDUCTANCE ( $\mu$ H)	DCR ( $\Omega$ ) (Max.)	IDC ( A ) (Max.)	TEST FREQ. ( f )
RDS875D-1R2M-LF	1.2 $\pm$ 20%	0.018	4.14	2.52MHz
RDS875D-1R7M-LF	1.7 $\pm$ 20%	0.022	3.75	2.52MHz
RDS875D-2R3M-LF	2.3 $\pm$ 20%	0.025	3.45	2.52MHz
RDS875D-3R0M-LF	3.0 $\pm$ 20%	0.028	3.25	2.52MHz
RDS875D-3R9M-LF	3.9 $\pm$ 20%	0.031	3.08	2.52MHz
RDS875D-4R7M-LF	4.7 $\pm$ 20%	0.035	2.94	2.52MHz
RDS875D-5R6M-LF	5.6 $\pm$ 20%	0.039	2.82	2.52MHz
RDS875D-7R0M-LF	7.0 $\pm$ 20%	0.043	2.68	2.52MHz
RDS875D-8R2M-LF	8.2 $\pm$ 20%	0.047	2.55	2.52MHz
RDS875D-100M-LF	10 $\pm$ 20%	0.050	2.40	2.52MHz
RDS875D-150M-LF	15 $\pm$ 20%	0.062	1.95	2.52MHz
RDS875D-220M-LF	22 $\pm$ 20%	0.080	1.60	2.52MHz
RDS875D-330M-LF	33 $\pm$ 20%	0.14	1.30	2.52MHz
RDS875D-470M-LF	47 $\pm$ 20%	0.17	1.10	2.52MHz
RDS875D-560M-LF	56 $\pm$ 20%	0.19	0.99	2.52MHz
RDS875D-680M-LF	68 $\pm$ 20%	0.21	0.89	2.52MHz
RDS875D-101M-LF	100 $\pm$ 20%	0.32	0.74	1KHz
RDS875D-151M-LF	150 $\pm$ 20%	0.51	0.60	1KHz
RDS875D-221M-LF	220 $\pm$ 20%	0.76	0.50	1KHz
RDS875D-331M-LF	330 $\pm$ 20%	0.97	0.41	1KHz
RDS875D-471M-LF	460 $\pm$ 20%	1.44	0.34	1KHz
RDS875D-561M-LF	560 $\pm$ 20%	1.61	0.31	1KHz
RDS875D-681M-LF	680 $\pm$ 20%	2.07	0.28	1KHz
RDS875D-102L-LF	1000 $\pm$ 15%	2.72	0.23	1KHz
RDS875D-152L-LF	1500 $\pm$ 15%	4.50	0.19	1KHz
RDS875D-222L-LF	2200 $\pm$ 15%	7.56	0.16	1KHz
RDS875D-332L-LF	3300 $\pm$ 15%	9.74	0.13	1KHz
RDS875D-392L-LF	3900 $\pm$ 15%	12.9	0.12	1KHz
RDS875D-472L-LF	4700 $\pm$ 15%	14.7	0.11	1KHz
RDS875D-562L-LF	5600 $\pm$ 15%	20.4	0.099	1KHz
RDS875D-682L-LF	6800 $\pm$ 15%	23.0	0.089	1KHz
RDS875D-822L-LF	8200 $\pm$ 15%	30.6	0.081	1KHz
RDS875D-103L-LF	10000 $\pm$ 15%	35.0	0.074	1KHz

- Inductors tolerance K= $\pm$ 10% ; L= $\pm$ 15% ;M= $\pm$ 20%.
- DC current at which the inductance drops 10% (typ) from its value without current.
- Operating temperature range -25 $^{\circ}$ C to +105 $^{\circ}$ C .
- Electrical specifications at 20 $^{\circ}$ C .