



RDS1010D SERIES ~ Through Hole Shielded Inductors



RoHS Compliant

FEATURES

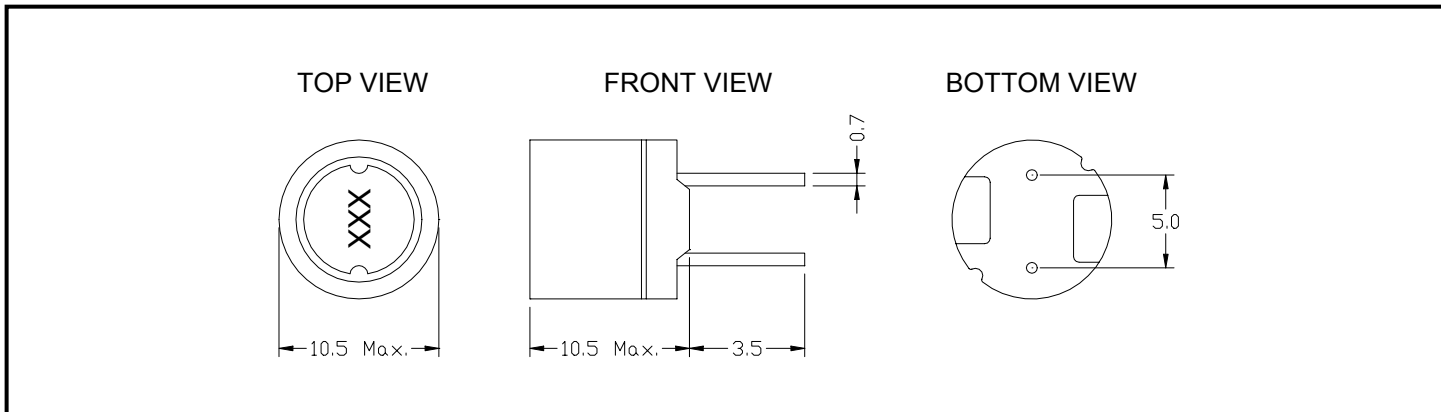
- Magnetically shielded construction and low leakage flux type .
- Lead free and RoHS compliant
- Ideal for use as an inductor for high current power supplies in all types of electronic instruments .

PART NUMBERING SYSTEM

<u>RDS</u>	<u>1 0 1 0 D</u>	—	<u>1 0 0 M</u>	—	<u>LF</u>
TYPE	DIMENSIONS		INDUCTANCE		LEAD FREE

SHAPES AND DIMENSIONS

UNIT : mm





RDS1010D SERIES ~ Through Hole Shielded Inductors



RoHS Compliant

SPECIFICATION TABLE

PART NUMBER	INDUCTANCE (μ H)	DCR (Ω) (Max.)	IDC (A) (Max.)	TEST FREQ. (f)
RDS1010D-100M-LF	10 \pm 20%	0.023	3.51	1KHz
RDS1010D-120M-LF	12 \pm 20%	0.024	3.24	1KHz
RDS1010D-150M-LF	15 \pm 20%	0.036	2.88	1KHz
RDS1010D-180M-LF	18 \pm 20%	0.039	2.61	1KHz
RDS1010D-220M-LF	22 \pm 20%	0.042	2.34	1KHz
RDS1010D-270M-LF	27 \pm 20%	0.045	2.16	1KHz
RDS1010D-330L-LF	33 \pm 15%	0.057	1.89	1KHz
RDS1010D-390L-LF	39 \pm 15%	0.076	1.80	1KHz
RDS1010D-470L-LF	47 \pm 15%	0.10	1.62	1KHz
RDS1010D-560L-LF	56 \pm 15%	0.11	1.44	1KHz
RDS1010D-680L-LF	68 \pm 15%	0.15	1.35	1KHz
RDS1010D-820L-LF	82 \pm 15%	0.16	1.26	1KHz
RDS1010D-101L-LF	100 \pm 15%	0.19	1.08	1KHz
RDS1010D-121L-LF	120 \pm 15%	0.21	0.99	1KHz
RDS1010D-151L-LF	150 \pm 15%	0.23	0.90	1KHz
RDS1010D-181L-LF	180 \pm 15%	0.26	0.82	1KHz
RDS1010D-221L-LF	220 \pm 15%	0.29	0.74	1KHz
RDS1010D-271L-LF	270 \pm 15%	0.36	0.67	1KHz
RDS1010D-331L-LF	330 \pm 15%	0.51	0.61	1KHz
RDS1010D-391L-LF	390 \pm 15%	0.69	0.55	1KHz
RDS1010D-471L-LF	470 \pm 15%	0.98	0.51	1KHz
RDS1010D-561L-LF	560 \pm 15%	1.10	0.46	1KHz
RDS1010D-681L-LF	680 \pm 15%	1.20	0.42	1KHz
RDS1010D-821L-LF	820 \pm 15%	1.30	0.38	1KHz
RDS1010D-102L-LF	1000 \pm 15%	1.50	0.35	1KHz

- Inductors tolerance L= \pm 15% ; M= \pm 20% ; N= \pm 30%.
- DC current at which the inductance drops 10% (typ) from its value without current.
- Operating temperature range -25 $^{\circ}$ C to +105 $^{\circ}$ C , Electrical specifications at 20 $^{\circ}$ C .