



SLS4D14 SERIES ~

Low Profile Shielded Power Inductors



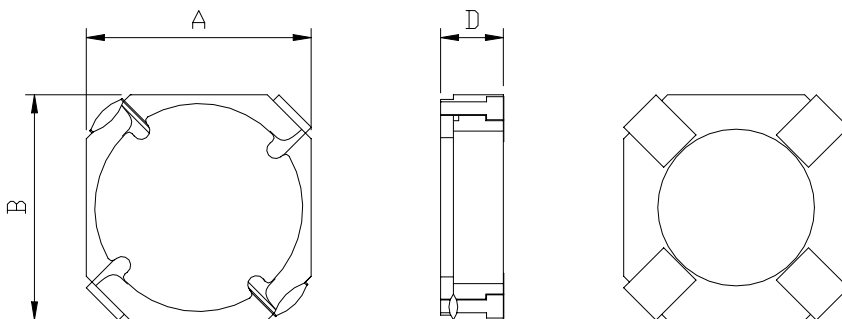
RoHS Compliant

PART NUMBERING SYSTEM

<u>SLS</u>	<u>4 D 1 4</u>	—	<u>4 R 7 N</u>	—	<u>LF</u>
TYPE	DIMENSIONS		INDUCTANCE		LEAD FREE

SHAPES AND DIMENSIONS

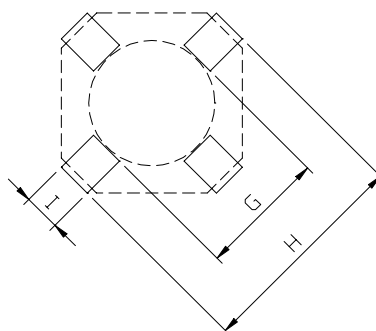
UNIT : mm



A=4.9 Max. B=4.9 Max. D=1.5 Max.

RECOMMENDED PATTERNS

UNIT : mm



G=2.9 H=6.2 I=1.4



SLS4D14 SERIES ~

Low Profile Shielded Power Inductors



RoHS Compliant

ELECTRICAL CHARACTERISTICS:

PART NUMBER	INDUCTANCE (μ H)	DCR (m Ω) (max.)	IDC (mA)
SLS4D14-4R7N-LF	4.7 \pm 30%	110	900
SLS4D14-6R8N-LF	6.8 \pm 30%	130	800
SLS4D14-100N-LF	10 \pm 30%	180	650
SLS4D14-150N-LF	15 \pm 30%	270	550
SLS4D14-220N-LF	22 \pm 30%	390	450
SLS4D14-330N-LF	33 \pm 30%	560	350
SLS4D14-470N-LF	47 \pm 30%	830	300

* Open Circuit Inductance Test Parameters; 100KHZ, 0Adc.

* It is either the inductance is 35% lower than its nominal value in D.C. saturation characteristics or temperature raise becomes $\Delta T=40^{\circ}\text{C}$, whichever is lower.

* Operating temperature range -40°C to $+85^{\circ}\text{C}$

* Electrical specifications at 25°C

* Packing : 7" reel embossed plastic tape (1,000 per full reel) .