



RoHS Compliant

High Current SMD Power Inductors

PART NUMBERING SYSTEM

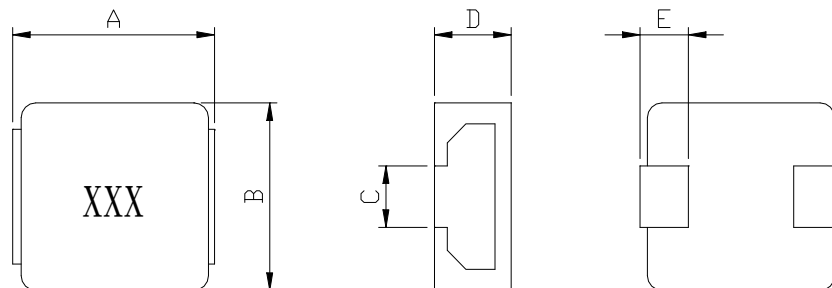
<u>SEP</u>	<u>1 2 0 6 K</u>	—	<u>1 R 0 M</u>	—	<u>LF</u>
TYPE	DIMENSIONS		INDUCTANCE		LEAD FREE

FEATURES :

- Low profile (5.7mm max. height) and 13.6mm max. square.
- Magnetically shielded and low DC resistance .
- Suitable for large current .
- Ideal for DC – DC converter inductor application in hand help personal Computer , CD-ROM & DVD,etc .
- Large current handling capability .

SHAPES AND DIMENSIONS :

UNIT : mm

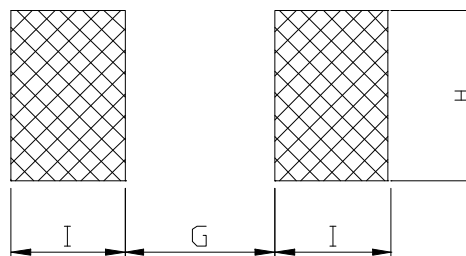


A=13.2±0.4 , B=12.7±0.3 , C= Note , D=5.70 Max. , E=2.2±0.3

RECOMMENDED PATTERNS

UNIT : mm

H= 3.3 & 5.0 G= 7.9 I = 2.95





RoHS Compliant

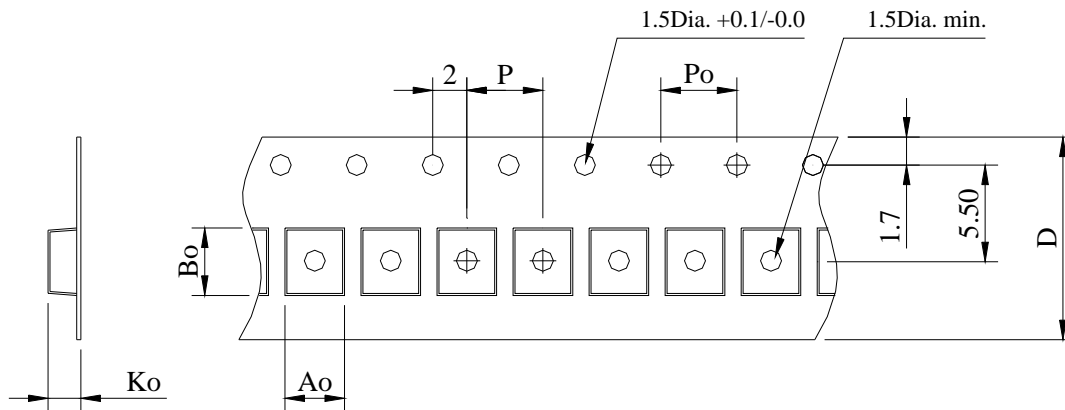
High Current SMD Power Inductors

SPECIFICATION TABLE

PART NUMBER	INDUCTANCE (μ H)	Isat (A) (Typ.)	Irms (A) (Typ.)	DCR (m Ω) (Max.)	TEST FREQ. (f)
SEP1206K-R47M-LF	0.47 \pm 20%	45.0	25.0	1.3	100KHz/0.1V
SEP1206K-1R0M-LF	1.0 \pm 20%	35.0	20.0	2.5	100KHz/0.1V
SEP1206K-1R5M-LF	1.5 \pm 20%	30.0	17.0	3.5	100KHz/0.1V
SEP1206K-2R2M-LF	2.2 \pm 20%	25.0	14.0	5.0	100KHz/0.1V
SEP1206K-3R1M-LF	3.1 \pm 20%	20.0	12.0	6.0	100KHz/0.1V
SEP1206K-3R6M-LF	3.6 \pm 20%	18.0	11.0	7.0	100KHz/0.1V
SEP1206K-4R7M-LF	4.7 \pm 20%	15.0	9.0	10.0	100KHz/0.1V

- I sat : DC current at which the inductance drops 20% (typ) from its value without current.
- I rms : Average current for a 40°C temperature rise above 25°C ambient.
- Operating temperature range -55°C to +120°C , Electrical specifications at 20°C.

PACKAGING SPECIFICATION



STAYLE	Q' TY (PCS)	DIMENSIONS (m/m)					
		Ao	Bo	Ko	P	Po	D \pm 0.3
13"	500	13.8	13.2	5.1	20	4.0	24