



RoHS Compliant

# High Current SMD Power Inductors

## PART NUMBERING SYSTEM

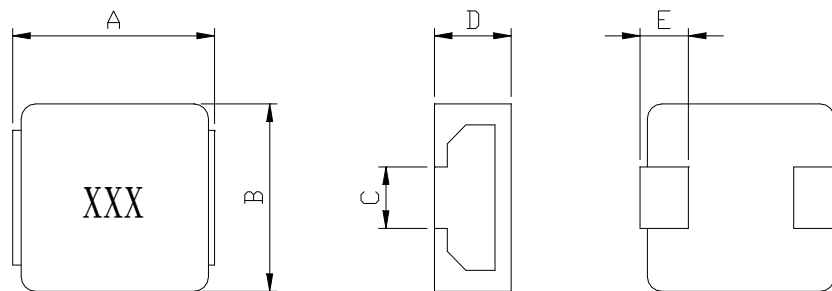
<u>SEP</u>	<u>1 2 0 5 K</u>	—	<u>1 R 0 M</u>	—	<u>LF</u>
TYPE	DIMENSIONS		INDUCTANCE		LEAD FREE

## FEATURES :

- Low profile ( 5.0mm max. height ) and 13.6mm max. square.
- Magnetically shielded and low DC resistance .
- Suitable for large current .
- Ideal for DC – DC converter inductor application in hand help personal Computer , CD-ROM & DVD,etc .
- Large current handling capability .

## SHAPES AND DIMENSIONS :

UNIT : mm

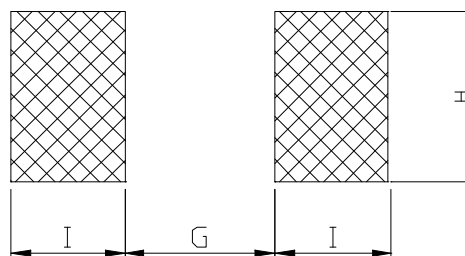


A=13.2±0.4 , B=12.7±0.3 , C= Note , D=5.00 Max. , E=2.2±0.3

## RECOMMENDED PATTERNS

UNIT : mm

H= 3.3 & 5.0      G= 7.9      I = 2.95





RoHS Compliant

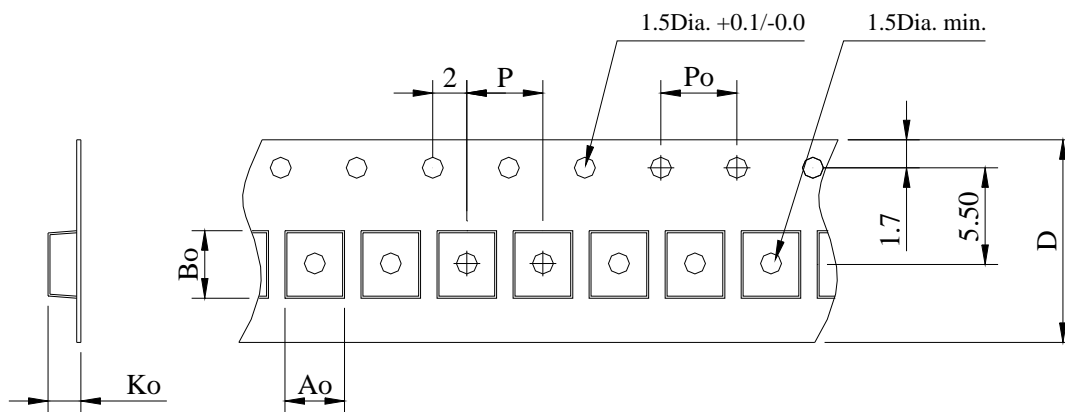
# High Current SMD Power Inductors

## SPECIFICATION TABLE

PART NUMBER	INDUCTANCE ( $\mu$ H)	Isat ( A ) (Typ.)	Irms ( A ) (Typ. )	DCR (m $\Omega$ ) (Typ.)	TEST FREQ. ( f )
SEP1205K-R47M-LF	0.47 $\pm$ 20%	50.0	35.0	1.8	100KHz/0.1V
SEP1205K-R82M-LF	0.82 $\pm$ 20%	44.0	29.0	2.9	100KHz/0.1V
SEP1205K-1R0M-LF	1.0 $\pm$ 20%	40.0	26.0	3.2	100KHz/0.1V
SEP1205K-1R5M-LF	1.5 $\pm$ 20%	36.0	21.0	5.3	100KHz/0.1V
SEP1205K-1R8M-LF	1.8 $\pm$ 20%	31.0	19.5	5.3	100KHz/0.1V
SEP1205K-2R2M-LF	2.2 $\pm$ 20%	27.0	18.0	7.1	100KHz/0.1V
SEP1205K-3R3M-LF	3.3 $\pm$ 20%	24.0	13.0	10.6	100KHz/0.1V
SEP1205K-4R7M-LF	4.7 $\pm$ 20%	21.0	11.0	14.2	100KHz/0.1V
SEP1205K-5R6M-LF	5.6 $\pm$ 20%	18.0	9.5	23.0	100KHz/0.1V
SEP1205K-6R8M-LF	6.8 $\pm$ 20%	15.0	8.5	32.0	100KHz/0.1V
SEP1205K-8R2M-LF	8.2 $\pm$ 20%	12.0	7.5	36.0	100KHz/0.1V
SEP1205K-100M-LF	10 $\pm$ 20%	10.0	6.5	39.0	100KHz/0.1V

- I sat : DC current at which the inductance drops 20% (typ) from its value without current.
- I rms : Average current for a 40°C temperature rise above 25°C ambient.
- Operating temperature range -55°C to +120°C , Electrical specifications at 20°C.

## PACKAGING SPECIFICATION



STAYLE	Q' TY (PCS)	DIMENSIONS (m/m)					
		Ao	Bo	Ko	P	Po	D $\pm$ 0.3
13"	500	13.8	13.2	5.1	20	4.0	24