



SEP1006K SERIES

New Products



RoHS Compliant

High Current SMD Power Inductors

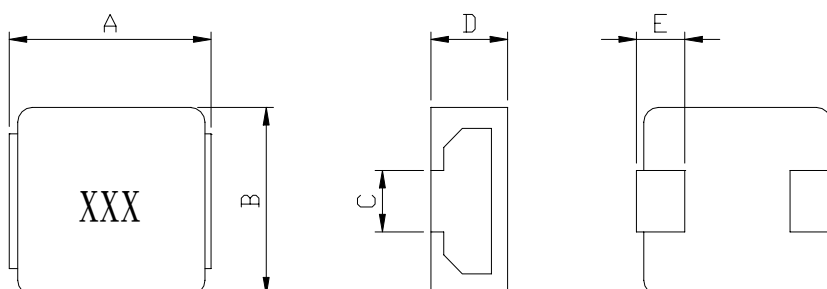
PART NUMBERING SYSTEM

SEP	1 0 0 6 K	—	1 R 5 M	—	LF
TYPE	DIMENSIONS		INDUCTANCE		LEAD FREE

FEATURES :

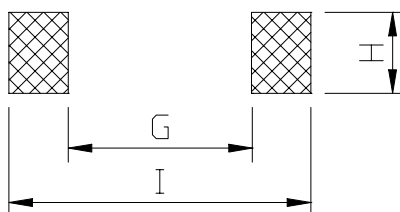
- Magnetically shielded and low DC resistance .
- Suitable for large current .
- Ideal for DC – DC converter inductor application in hand help personal Computer ,etc .
- Frequency range up to 5MHZ .
- Lead Free with RoHS compliant .

SHAPES AND DIMENSIONS :



A=11.1 Max. B=10.4 Max. C=4.0±0.2 D=6.0 Max. E=2.2±0.3 UNIT : mm

RECOMMENDED PATTERNS



H=4.6 G= 5.0 I = 12.6 UNIT : mm



SEP1006K SERIES

New Products



High Current SMD Power Inductors

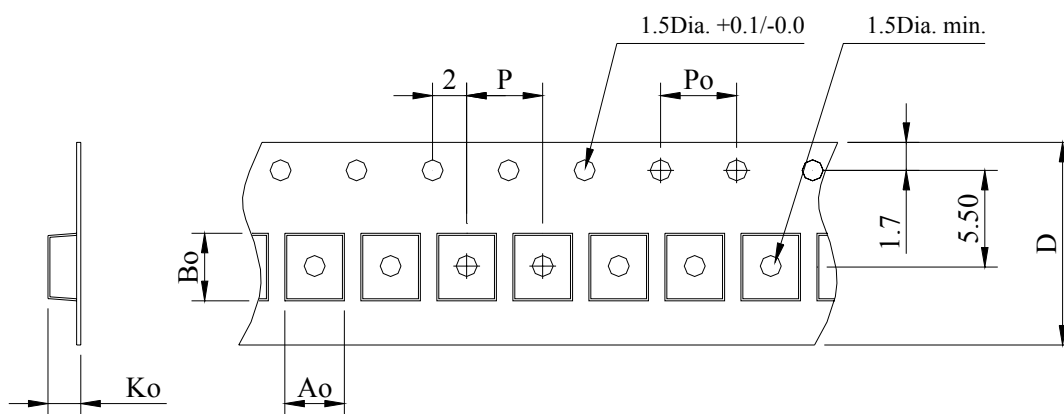
SPECIFICATION TABLE

RoHS Compliant

PART NUMBER	INDUCTANCE (μ H)	Isat (A) (Typ.)	Irms (A) (Typ.)	DCR (m Ω) (Max.)	TEST FREQ. (f)
SEP1006K-R47M-LF	0.47 \pm 20%	38.0	21.0	3.2	100KHz/0.1V
SEP1006K-R82M-LF	0.82 \pm 20%	32.0	19.0	4.0	100KHz/0.1V
SEP1006K-1R5M-LF	1.5 \pm 20%	28.0	17.0	5.0	100KHz/0.1V
SEP1006K-2R2M-LF	2.2 \pm 20%	26.0	14.0	9.0	100KHz/0.1V
SEP1006K-3R3M-LF	3.3 \pm 20%	19.0	11.0	12.0	100KHz/0.1V
SEP1006K-4R7M-LF	4.7 \pm 20%	15.0	9.5	14.0	100KHz/0.1V
SEP1006K-6R8M-LF	6.8 \pm 20%	12.5	8.5	17.0	100KHz/0.1V
SEP1006K-8R6M-LF	8.6 \pm 20%	11.0	8.0	19.0	100KHz/0.1V
SEP1006K-110M-LF	11 \pm 20%	9.0	7.5	24.0	100KHz/0.1V

- I sat : DC current at which the inductance drops 20% (typ) from its value without current.
- I rms : Average current for a 40°C temperature rise above 25°C ambient.
- Operating temperature range -55°C to +120°C , Electrical specifications at 25°C.

PACKAGING SPECIFICATION



STAYLE	Q' TY (PCS)	DIMENSIONS (m/m)					
		A_o	B_o	K_o	P	P_o	$D\pm 0.3$
13"	500	11.2	10.8	6.4	12	4.0	16