



# SEP1004S SERIES

## High Current SMD Power Inductors



RoHS Compliant

### PART NUMBERING SYSTEM

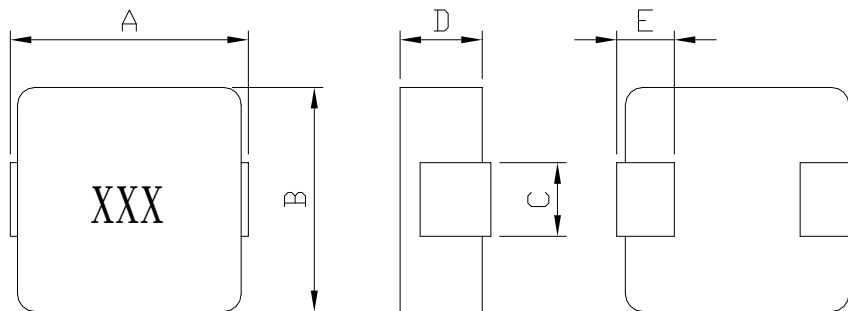
<u>SEP</u>	<u>1004S</u>	—	<u>R33M</u>	—	<u>LF</u>
TYPE	DIMENSIONS		INDUCTANCE		LEAD FREE

### FEATURES:

- Low profile.
- High Performance.
- Suitable for large current application.
- Laptop&Notebook computers.
- Battery powered equipment.
- DC/DC converters.
- Digital 、 Cameras 、 Scanners, CD-ROM & DVD.

### SHAPES AND DIMENSIONS:

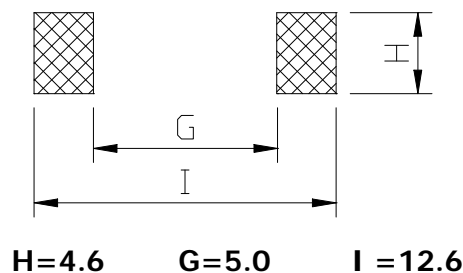
UNIT : mm



**A=11.0 Max. B=10.3 Max. C=4.0±0.3 D=4.0 Max. E=2.2±0.3**

### RECOMMENDED PATTERNS:

UNIT : mm



**H=4.6 G=5.0 I=12.6**



## SEP1004S SERIES

### High Current SMD Power Inductors



RoHS Compliant

#### SPECIFICATION TABLE

PART NUMBER	INDUCTANCE ( $\mu$ H)	Isat ( A ) (Min.)	Irms ( A ) (Min.)	DCR (m $\Omega$ ) (Max.)	TEST FREQ. ( f )
SEP1004S-R33M-LF	0.33 $\pm$ 20%	58.0	31.0	1.4	100KHz/0.1V
SEP1004S-R36M-LF	0.36 $\pm$ 20%	58.0	31.0	1.5	100KHz/0.1V
SEP1004S-R47M-LF	0.47 $\pm$ 20%	52.0	28.0	1.9	100KHz/0.1V
SEP1004S-R56M-LF	0.56 $\pm$ 20%	49.0	26.0	2.0	100KHz/0.1V
SEP1004S-R68M-LF	0.68 $\pm$ 20%	43.0	23.0	2.6	100KHz/0.1V
SEP1004S-R78M-LF	0.78 $\pm$ 20%	37.0	20.3	3.3	100KHz/0.1V
SEP1004S-R82M-LF	0.82 $\pm$ 20%	37.0	20.3	3.3	100KHz/0.1V
SEP1004S-1R0M-LF	1.0 $\pm$ 20%	31.6	16.0	4.0	100KHz/0.1V
SEP1004S-1R5M-LF	1.5 $\pm$ 20%	26.0	14.2	5.6	100KHz/0.1V
SEP1004S-2R2M-LF	2.2 $\pm$ 20%	23.3	11.5	9.2	100KHz/0.1V
SEP1004S-3R3M-LF	3.3 $\pm$ 20%	16.2	10.0	11.7	100KHz/0.1V
SEP1004S-4R7M-LF	4.7 $\pm$ 20%	15.0	9.2	16.6	100KHz/0.1V
SEP1004S-5R6M-LF	5.6 $\pm$ 20%	14.4	8.4	20.0	100KHz/0.1V
SEP1004S-6R8M-LF	6.8 $\pm$ 20%	13.6	7.8	23.5	100KHz/0.1V
SEP1004S-8R2M-LF	8.2 $\pm$ 20%	12.0	6.8	31.0	100KHz/0.1V
SEP1004S-100M-LF	10 $\pm$ 20%	9.8	5.5	37.0	100KHz/0.1V

- Isat : DC current at which the inductance drops 20% (typ) from its value without current.
- Irms : Average current for a 40°C temperature rise above 25°C ambient.
- Operating temperature range -55°C to +125°C , Electrical specifications at 25°C.



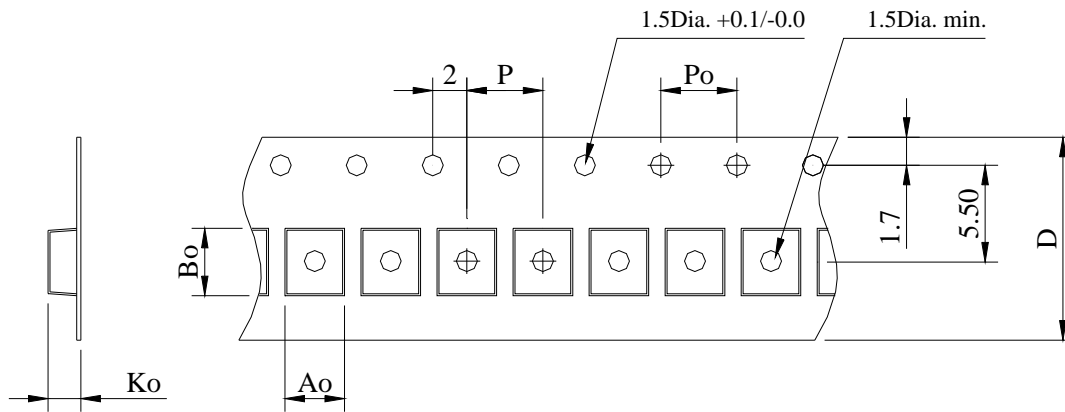
# SEP1004S SERIES

## High Current SMD Power Inductors



RoHS Compliant

### PACKAGING SPECIFICATION



STAYLE	Q' TY (PCS)	DIMENSIONS (m/m)					
		$A_o$	$B_o$	$K_o$	$P$	$P_o$	$D\pm 0.3$
13"	500	11.2	10.8	4.4	12	4.0	16



**Coilmaster Electronics Co., Ltd.**

9F-3 No.398, Huan Bei Rd. Chung Li City, Taoyuan 320, Taiwan  
Tel : +886-3-422-8279 Fax : +886-3-422-8734

E-mail : [info@coilmaster.com.tw](mailto:info@coilmaster.com.tw)  
Web Site : [www.coilmaster.com.tw](http://www.coilmaster.com.tw)



RoHS Compliant

# High Current SMD Power Inductors

