



SEP1004K SERIES

High Current SMD Power Inductors



RoHS Compliant

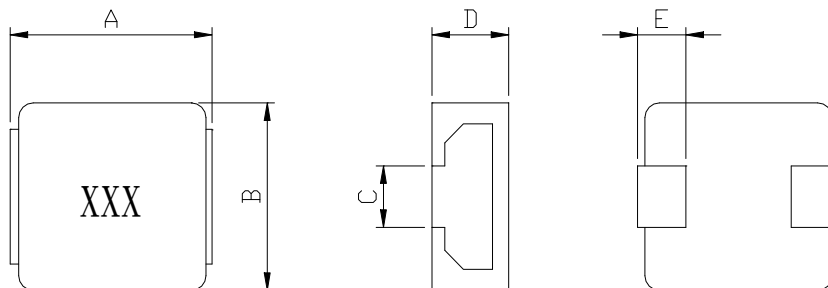
PART NUMBERING SYSTEM

<u>SEP</u>	<u>1004K</u>	—	<u>4R7M</u>	—	<u>LF</u>
TYPE	DIMENSIONS		INDUCTANCE		LEAD FREE

FEATURES :

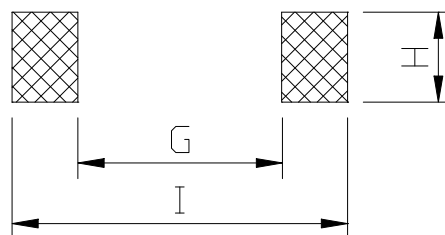
- Low profile.
- High Performance.
- Suitable for large current application.
- Laptop&Notebook computers.
- Battery powered equipment.
- DC/DC converters.
- Digital 、 Cameras 、 Scanners, CD-ROM & DVD.

SHAPES AND DIMENSIONS :



A=10.7±0.4 B=10.0±0.4 C=4.0±0.2. D=4.0Max. E=2.2±0.3 UNIT : mm

RECOMMENDED PATTERNS



G= 5.0 H= 4.6 I = 12.6 UNIT : mm



SEP1004K SERIES

High Current SMD Power Inductors



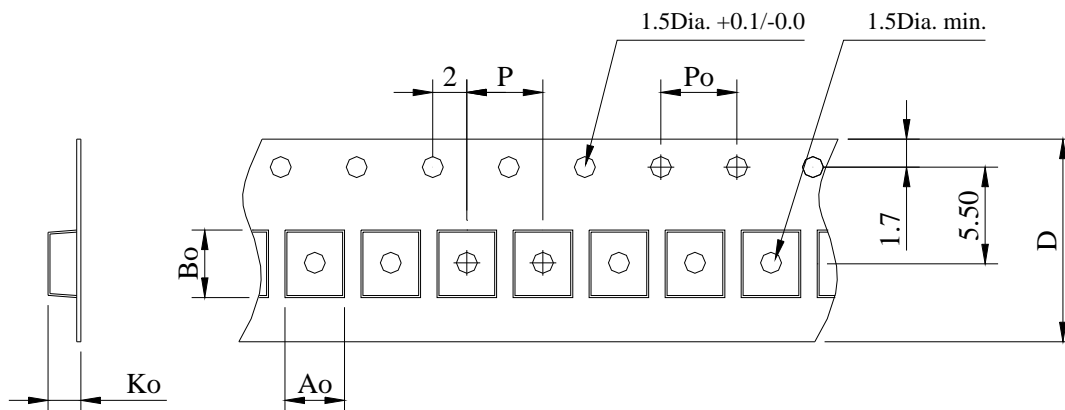
RoHS Compliant

SPECIFICATION TABLE

PART NUMBER	INDUCTANCE (μ H)	I _{sat} (A) (Max.)	I _{rms} (A) (Max.)	DCR (m Ω) (Max.)	TEST FREQ. (f)
SEP1004K-R22M-LF	0.22 \pm 20%	50.0	32.0	1.50	100KHz/0.1V
SEP1004K-R36M-LF	0.36 \pm 20%	60.0	31.5	1.40	100KHz/0.1V
SEP1004K-R56M-LF	0.56 \pm 20%	49.0	27.5	1.80	100KHz/0.1V
SEP1004K-1R0M-LF	1.0 \pm 20%	36.0	17.5	4.10	100KHz/0.1V
SEP1004K-1R5M-LF	1.5 \pm 20%	27.5	15.0	5.80	100KHz/0.1V
SEP1004K-2R2M-LF	2.2 \pm 20%	25.6	12.0	9.00	100KHz/0.1V
SEP1004K-3R3M-LF	3.3 \pm 20%	18.6	10.0	11.8	100KHz/0.1V
SEP1004K-4R7M-LF	4.7 \pm 20%	17.0	9.50	16.5	100KHz/0.1V
SEP1004K-5R6M-LF	5.6 \pm 20%	16.0	8.50	19.3	100KHz/0.1V
SEP1004K-8R2M-LF	8.2 \pm 20%	13.5	8.00	23.3	100KHz/0.1V
SEP1004K-100M-LF	10 \pm 20%	12.0	6.80	36.5	100KHz/0.1V
SEP1004K-150M-LF	15 \pm 20%	7.0	3.50	90.0	100KHz/0.1V
SEP1004K-220M-LF	22 \pm 20%	3.0	2.00	120.0	100KHz/0.1V

- I_{sat} : DC current at which the inductance drops 20% (typ) from its value without current.
- I_{rms} : Average current for a 40°C temperature rise above 25°C ambient.
- Operating temperature range -55°C to +120°C , Electrical specifications at 25°C.

PACKAGING SPECIFICATION



STAYLE	Q' TY (PCS)	DIMENSIONS (m/m)					
		Ao	Bo	Ko	P	Po	D \pm 0.3
13"	500	11.2	10.8	4.4	12	4.0	16