



SEP0604S SERIES

New Products



RoHS Compliant

High Current SMD Power Inductors

PART NUMBERING SYSTEM

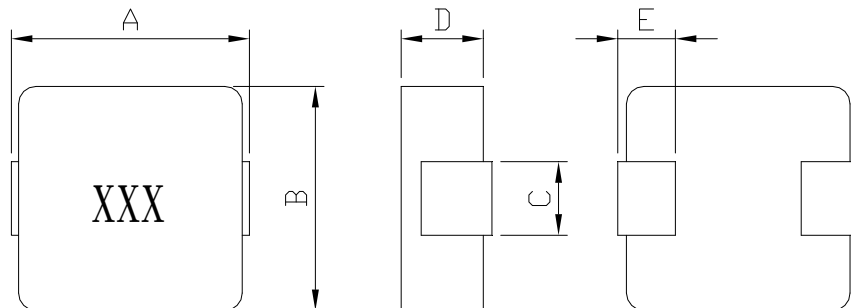
<u>SEP</u>	<u>0604S</u>	—	<u>6R8M</u>	—	<u>LF</u>
TYPE	DIMENSIONS		INDUCTANCE		LEAD FREE

FEATURES :

- Magnetically shielded and low DC resistance .
- Suitable for large current .
- Ideal for DC – DC converter inductor application in hand help personal Computer ,etc .
- Frequency range up to 5MHZ .
- Lead Free with RoHS compliant .

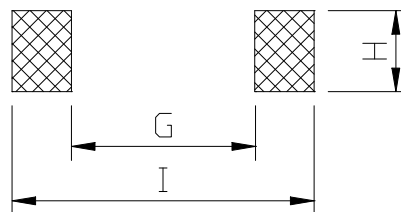
SHAPES AND DIMENSIONS :

UNIT : mm



A=7.4 Max. B=6.8 Max. C=3.0±0.3 D=4.0 Max. E=1.27±0.3

RECOMMENDED PATTERNS



H=3.5 G= 3.8 I = 8.0

UNIT : mm



SEP0604S SERIES

New Products



RoHS Compliant

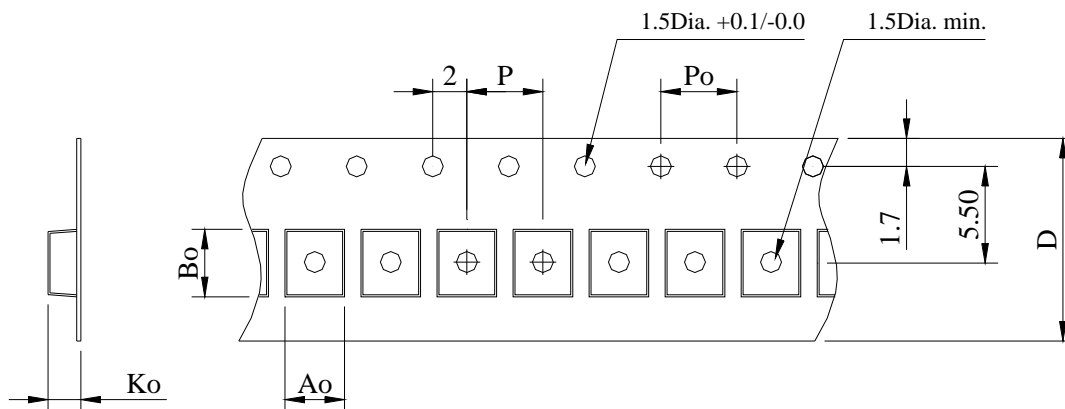
High Current SMD Power Inductors

SPECIFICATION TABLE

PART NUMBER	INDUCTANCE (μ H)	Isat (A) (Typ.)	Irms (A) (Typ.)	DCR (m Ω) (Max.)	TEST FREQ. (f)
SEP0604S-R47M-LF	0.47 \pm 20%	22.0	20.0	3.0	100KHz/0.1V
SEP0604S-R68M-LF	0.68 \pm 20%	20.0	18.0	5.0	100KHz/0.1V
SEP0604S-R82M-LF	0.82 \pm 20%	18.0	16.0	6.5	100KHz/0.1V
SEP0604S-1R0M-LF	1.0 \pm 20%	17.0	14.0	7.0	100KHz/0.1V
SEP0604S-1R5M-LF	1.5 \pm 20%	15.0	12.0	8.5	100KHz/0.1V
SEP0604S-2R2M-LF	2.2 \pm 20%	13.0	10.0	17.0	100KHz/0.1V
SEP0604S-3R3M-LF	3.3 \pm 20%	11.0	9.0	27.0	100KHz/0.1V
SEP0604S-4R7M-LF	4.7 \pm 20%	9.0	7.0	35.0	100KHz/0.1V
SEP0604S-6R8M-LF	6.8 \pm 20%	8.0	6.0	45.0	100KHz/0.1V
SEP0604S-8R2M-LF	8.2 \pm 20%	7.0	5.0	60.0	100KHz/0.1V
SEP0604S-100M-LF	10 \pm 20%	6.0	4.0	70.0	100KHz/0.1V

- Isat : DC current at which the inductance drops 20% (typ) from its value without current.
- I rms : Average current for a 40°C temperature rise above 25°C ambient.
- Operating temperature range -55°C to +120°C , Electrical specifications at 25°C.

PACKAGING SPECIFICATION



STAYLE	Q' TY (PCS)	DIMENSIONS (m/m)					
		Ao	Bo	Ko	P	Po	D \pm 0.3
13"	1,000	7.2	7.0	4.4	12	4.0	16