



SEP0603S SERIES

New Products



RoHS Compliant

High Current SMD Power Inductors

PART NUMBERING SYSTEM

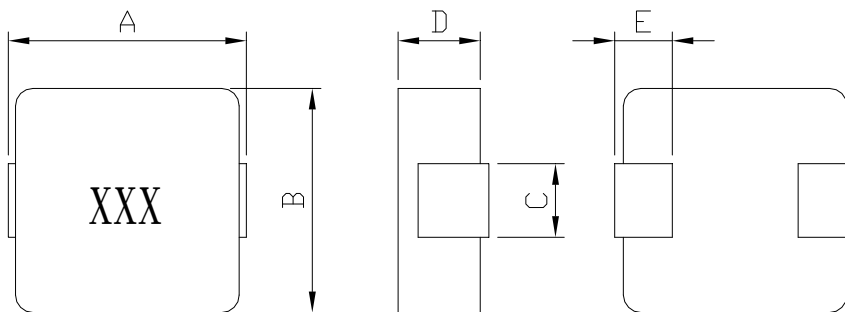
<u>SEP</u>	<u>0603S</u>	—	<u>R33M</u>	—	<u>LF</u>
TYPE	DIMENSIONS		INDUCTANCE		LEAD FREE

FEATURES:

- Low profile (3.00mm max. height) and 7.4 mm max. square.
- Magnetically shielded and low DC resistance.
- Suitable for large current.
- Ideal for DC – DC converter inductor application in hand help personal Computer, etc.
- Frequency range up to 5MHZ.
- Large current handling capability.

SHAPES AND DIMENSIONS:

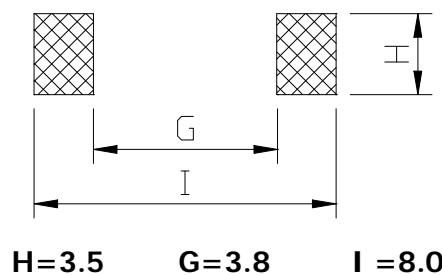
UNIT : mm



A=7.4 Max. B=6.8 Max. C=3.0±0.3 D=3.0 Max. E=1.27±0.3

RECOMMENDED PATTERNS:

UNIT : mm



H=3.5 G=3.8 I =8.0



SEP0603S SERIES

New Products



High Current SMD Power Inductors

SPECIFICATION TABLE

RoHS Compliant

PART NUMBER	INDUCTANCE (μ H)	Isat (A) (Min.)	Irms (A) (Min.)	DCR (m Ω) (Max.)	TEST FREQ. (f)
SEP0603S-R22M-LF	0.22 \pm 20%	32.0	18.0	2.8	100KHz/0.1V
SEP0603S-R33M-LF	0.33 \pm 20%	27.2	15.5	4.0	100KHz/0.1V
SEP0603S-R47M-LF	0.47 \pm 20%	24.1	14.5	4.2	100KHz/0.1V
SEP0603S-R56M-LF	0.56 \pm 20%	23.0	13.0	5.2	100KHz/0.1V
SEP0603S-R68M-LF	0.68 \pm 20%	22.5	12.6	5.6	100KHz/0.1V
SEP0603S-R82M-LF	0.82 \pm 20%	20.0	10.0	7.9	100KHz/0.1V
SEP0603S-1R0M-LF	1.0 \pm 20%	18.0	9.0	9.8	100KHz/0.1V
SEP0603S-1R5M-LF	1.5 \pm 20%	17.2	8.5	14.5	100KHz/0.1V
SEP0603S-2R2M-LF	2.2 \pm 20%	14.5	7.5	19.0	100KHz/0.1V
SEP0603S-3R3M-LF	3.3 \pm 20%	11.8	5.6	28.0	100KHz/0.1V
SEP0603S-4R7M-LF	4.7 \pm 20%	7.8	4.7	41.0	100KHz/0.1V
SEP0603S-5R6M-LF	5.6 \pm 20%	7.0	4.5	55.0	100KHz/0.1V
SEP0603S-6R8M-LF	6.8 \pm 20%	6.5	4.3	65.0	100KHz/0.1V
SEP0603S-8R2M-LF	8.2 \pm 20%	6.0	4.0	69.0	100KHz/0.1V
SEP0603S-100M-LF	10 \pm 20%	5.5	2.8	106.0	100KHz/0.1V
SEP0603S-150M-LF	15 \pm 20%	4.5	2.0	145.0	100KHz/0.1V

- I sat : DC current at which the inductance drops 20% (typ) from its value without current.
- I rms : Average current for a 40°C temperature rise above 25°C ambient.



Coilmaster Electronics Co., Ltd.
 9F-3 No.398, Huan Bei Rd. Chung Li City, Taoyuan 320, Taiwan
 Tel : +886-3-422-8279 Fax : +886-3-422-8734

E-mail : info@coilmaster.com.tw
 Web Site : www.coilmaster.com.tw

SEP0603S SERIES

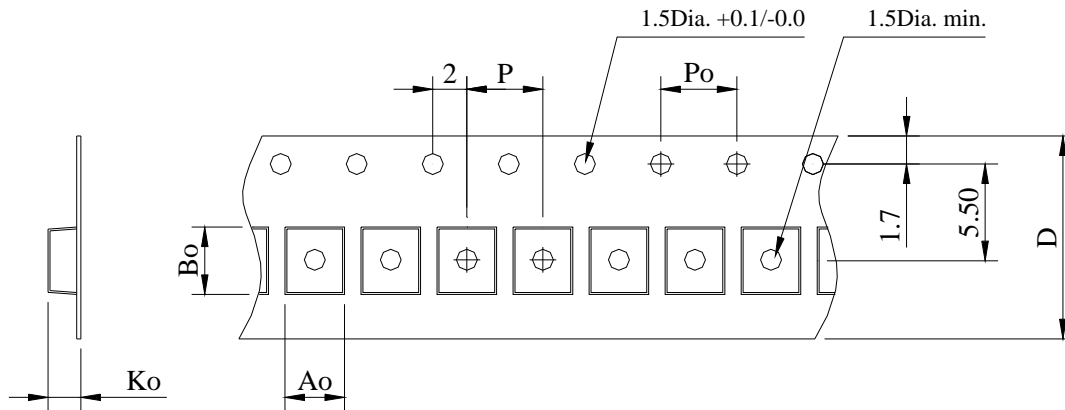
New Products



RoHS Compliant

High Current SMD Power Inductors

PACKAGING SPECIFICATION



STAYLE	Q' TY (PCS)	DIMENSIONS (m/m)					
		Ao	Bo	Ko	P	Po	D±0.3
13"	1,000	7.2	7.0	3.4	12	4.0	16



SEP0603S SERIES

New Products



High Current SMD Power Inductors

