



# SEP0603E SERIES - High Current SMD Inductors

***New Products***



RoHS Compliant

## PART NUMBERING SYSTEM

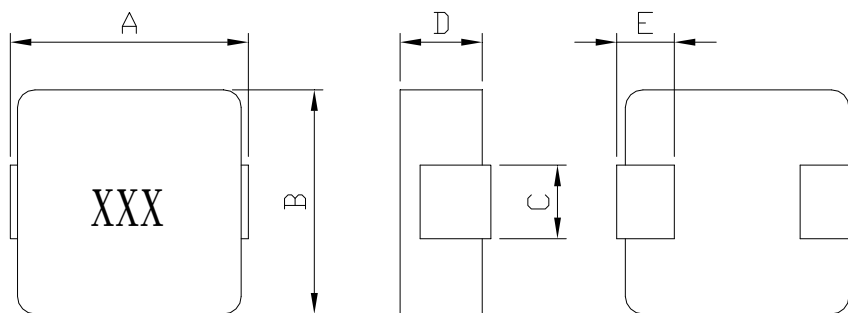
|            |               |   |             |   |           |
|------------|---------------|---|-------------|---|-----------|
| <u>SEP</u> | <u>0603 E</u> | — | <u>4R7M</u> | — | <u>LF</u> |
| TYPE       | DIMENSIONS    |   | INDUCTANCE  |   | LEAD FREE |

## FEATURES:

- Low profile ( 3.0mm max. height ) and 7.5 mm max. square.
- Magnetically shielded and low DC resistance.
- Suitable for large current.
- Ideal for DC – DC converter inductor application in hand help personal Computer, etc.
- Frequency range up to 5MHZ.
- Large current handling capability.

## SHAPES AND DIMENSIONS:

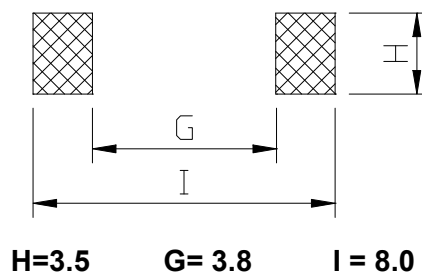
UNIT : mm



**A=7.5 Max B=6.8 Max. C=3.0±0.3 D=3.0 Max. E=1.6±0.3**

## RECOMMENDED PATTERNS:

UNIT : mm





## SEP0603E SERIES – High Current SMD Inductors

### *New Products*

#### SPECIFICATION TABLE

| PART NUMBER      | INDUCTANCE<br>( $\mu$ H) | Isat ( A )<br>(Min.) | Irms ( A )<br>(Min.) | DCR (m $\Omega$ )<br>(Max.) | TEST FREQ.<br>( f ) |
|------------------|--------------------------|----------------------|----------------------|-----------------------------|---------------------|
| SEP0603E-R10M-LF | 0.10 $\pm$ 20%           | 60.0                 | 32.5                 | 1.7                         | 100KHz/0.1V         |
| SEP0603E-R15M-LF | 0.15 $\pm$ 20%           | 45.0                 | 26.0                 | 2.5                         | 100KHz/0.1V         |
| SEP0603E-R20M-LF | 0.20 $\pm$ 20%           | 41.0                 | 24.0                 | 3.0                         | 100KHz/0.1V         |
| SEP0603E-R22M-LF | 0.22 $\pm$ 20%           | 40.0                 | 23.0                 | 2.8                         | 100KHz/0.1V         |
| SEP0603E-R33M-LF | 0.33 $\pm$ 20%           | 30.0                 | 20.0                 | 3.9                         | 100KHz/0.1V         |
| SEP0603E-R47M-LF | 0.47 $\pm$ 20%           | 26.0                 | 17.5                 | 4.2                         | 100KHz/0.1V         |
| SEP0603E-R68M-LF | 0.68 $\pm$ 20%           | 25.0                 | 15.5                 | 5.5                         | 100KHz/0.1V         |
| SEP0603E-R82M-LF | 0.82 $\pm$ 20%           | 24.0                 | 13.0                 | 8.0                         | 100KHz/0.1V         |
| SEP0603E-1R0M-LF | 1.0 $\pm$ 20%            | 22.0                 | 11.0                 | 10.0                        | 100KHz/0.1V         |
| SEP0603E-1R5M-LF | 1.5 $\pm$ 20%            | 18.0                 | 9.0                  | 15.0                        | 100KHz/0.1V         |
| SEP0603E-2R2M-LF | 2.2 $\pm$ 20%            | 14.0                 | 8.0                  | 20.0                        | 100KHz/0.1V         |
| SEP0603E-3R3M-LF | 3.3 $\pm$ 20%            | 13.5                 | 6.0                  | 30.0                        | 100KHz/0.1V         |
| SEP0603E-4R7M-LF | 4.7 $\pm$ 20%            | 10.0                 | 5.5                  | 40.0                        | 100KHz/0.1V         |
| SEP0603E-6R8M-LF | 6.8 $\pm$ 20%            | 8.0                  | 4.5                  | 60.0                        | 100KHz/0.1V         |
| SEP0603E-8R2M-LF | 8.2 $\pm$ 20%            | 7.5                  | 4.0                  | 68.0                        | 100KHz/0.1V         |
| SEP0603E-100M-LF | 10 $\pm$ 20%             | 7.0                  | 3.0                  | 105.0                       | 100KHz/0.1V         |

- All test Data is referenced to 25 $^{\circ}$ C ambient.
- Typical Heat Rating DC Current would cause an approximately  $\Delta$ T of 40 $^{\circ}$ C.
- Typical Saturation DC Current would cause Lo to drop approximately 30%
- Operating Temperature Range: -25 $^{\circ}$ C ~ +125 $^{\circ}$ C.



**Coilmaster Electronics Co., Ltd.**

9F-3 No.398, Huan Bei Rd. Chung Li City, Taoyuan 320, Taiwan  
 Tel : +886-3-422-8279 Fax : +886-3-422-8734

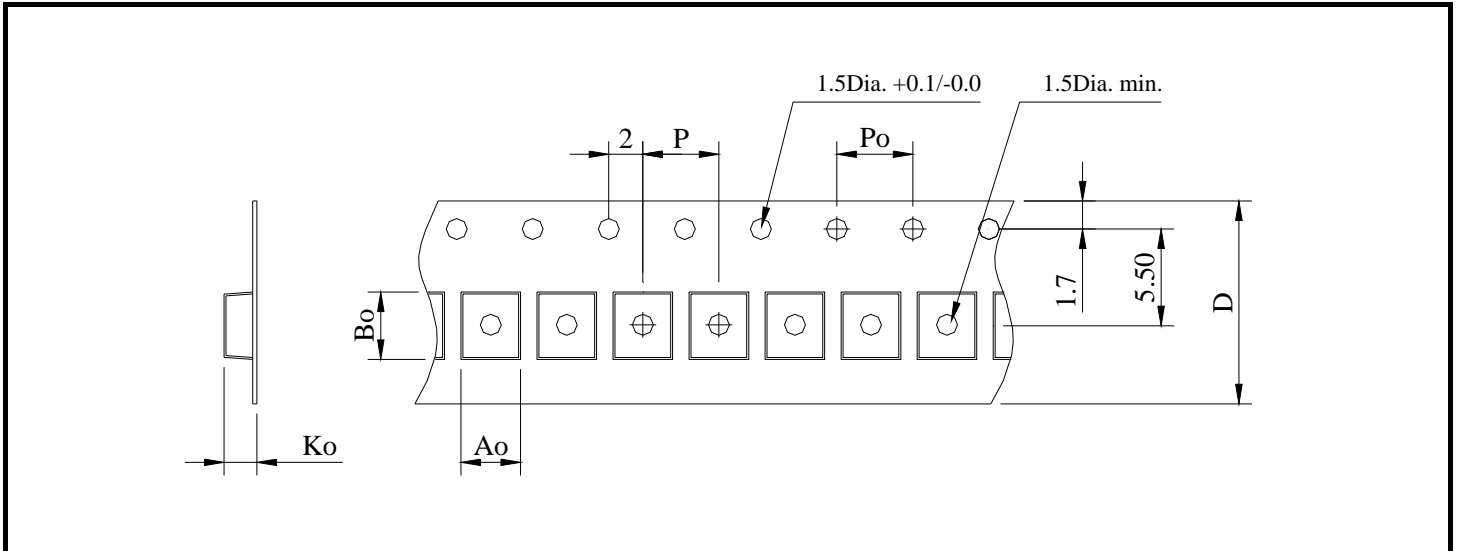
E-mail : [info@coilmaster.com.tw](mailto:info@coilmaster.com.tw)

Web Site : [www.coilmaster.com.tw](http://www.coilmaster.com.tw)

## SEP0603E SERIES – High Current SMD Inductors

***New Products***

### PACKAGING SPECIFICATION



| STAYLE | Q' TY<br>(PCS) | DIMENSIONS (m/m) |       |       |     |       |             |
|--------|----------------|------------------|-------|-------|-----|-------|-------------|
|        |                | $A_o$            | $B_o$ | $K_o$ | $P$ | $P_o$ | $D \pm 0.3$ |
| 13"    | 1,000          | 7.2              | 7.0   | 3.4   | 12  | 4.0   | 16          |