



# SEP0602E SERIES

## High Current SMD Power Inductors



RoHS Compliant

### PART NUMBERING SYSTEM

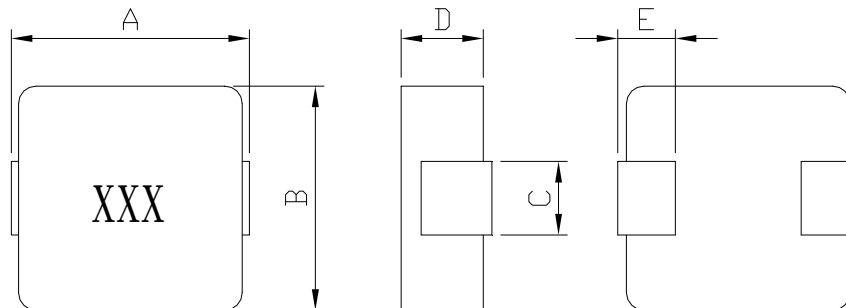
<b>SEP</b>	<b>0 6 0 2 E</b>	<b>—</b>	<b>6 R 8 M</b>	<b>—</b>	<b>LF</b>
TYPE	DIMENSIONS		INDUCTANCE		LEAD FREE

### FEATURES :

- Low profile ( 2.40mm max. height ) and 7.5 mm max. square.
- Magnetically shielded and low DC resistance and Suitable for large current .
- Ideal for DC – DC converter inductor application in hand help personal Computer ,etc .
- Frequency range up to 5MHZ .
- Large current handling capability .

### SHAPES AND DIMENSIONS :

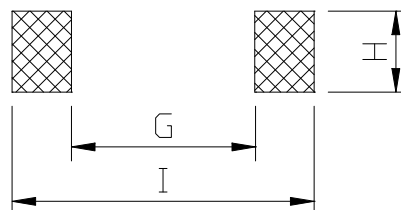
UNIT : mm



**A=7.5 Max B=6.8 Max. C=3.0±0.3 D=2.4 Max. E=1.6±0.3**

### RECOMMENDED PATTERNS

UNIT : mm



**H=3.5 G= 3.8 I = 8.0**



# SEP0602E SERIES

## High Current SMD Power Inductors



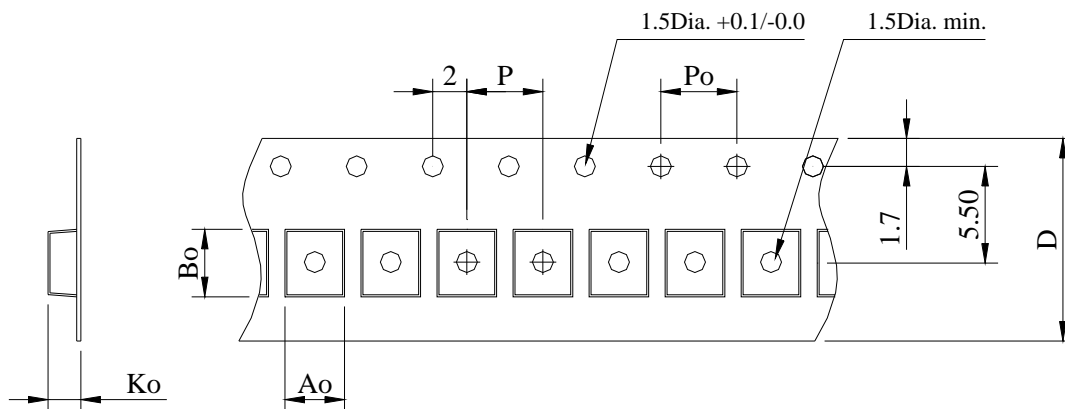
RoHS Compliant

### SPECIFICATION TABLE

PART NUMBER	INDUCTANCE ( $\mu$ H)	Isat ( A ) (Typ.)	Irms ( A ) (Typ.)	DCR (m $\Omega$ ) (Max.)	TEST FREQ. ( f )
SEP0602E-R47M-LF	0.47 $\pm$ 20%	19.0	14.0	6.5	100KHz/0.1V
SEP0602E-R68M-LF	0.68 $\pm$ 20%	18.0	11.5	9.4	100KHz/0.1V
SEP0602E-R82M-LF	0.82 $\pm$ 20%	16.0	10.5	11.8	100KHz/0.1V
SEP0602E-1R0M-LF	1.0 $\pm$ 20%	15.0	10.0	14.2	100KHz/0.1V
SEP0602E-1R5M-LF	1.5 $\pm$ 20%	13.0	8.0	21.2	100KHz/0.1V
SEP0602E-2R2M-LF	2.2 $\pm$ 20%	12.0	7.0	34.0	100KHz/0.1V
SEP0602E-3R3M-LF	3.3 $\pm$ 20%	9.0	5.5	51.6	100KHz/0.1V
SEP0602E-4R7M-LF	4.7 $\pm$ 20%	7.5	5.0	63.0	100KHz/0.1V
SEP0602E-6R8M-LF	6.8 $\pm$ 20%	6.0	4.0	95.0	100KHz/0.1V
SEP0602E-8R2M-LF	8.2 $\pm$ 20%	5.5	3.5	106.0	100KHz/0.1V
SEP0602E-100M-LF	10 $\pm$ 20%	5.0	3.0	129.0	100KHz/0.1V

- Isat : DC current at which the inductance drops 30% (typ) from its value without current.
- I rms : Average current for a 40°C temperature rise above 25°C ambient.
- Operating temperature range -55°C to +120°C , Electrical specifications at 25°C.

### PACKAGING SPECIFICATION



STAYLE	Q' TY (PCS)	DIMENSIONS (m/m)					
		Ao	Bo	Ko	P	Po	D $\pm$ 0.3
13"	1,000	7.2	7.0	2.8	12	4.0	16