



SDC8D43HP SERIES

SMD Shielded Power Inductors



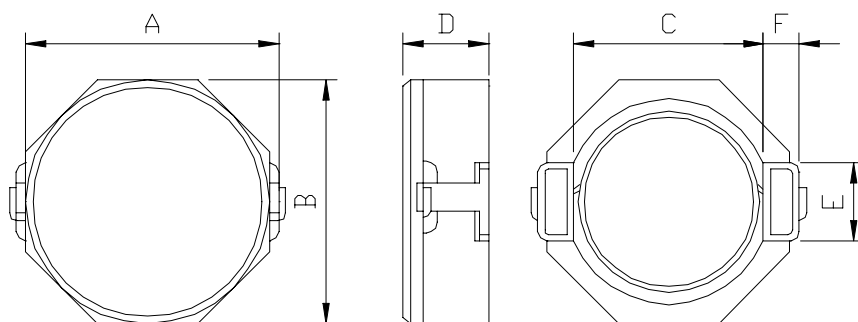
RoHS Compliant

PART NUMBERING SYSTEM

<u>SDC</u>	<u>8 D 4 3 H P</u>	—	<u>1 R 2 N</u>	—	<u>LF</u>
TYPE	DIMENSIONS		INDUCTANCE		LEAD FREE

SHAPES AND DIMENSIONS

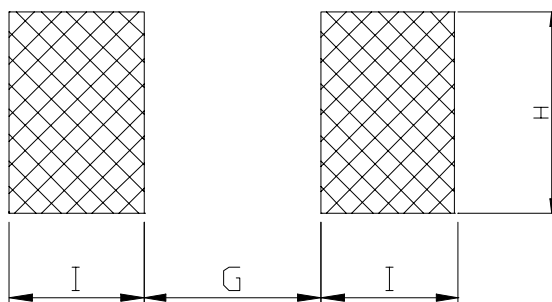
UNIT : mm



A=8.3 max. B=8.3 max. C=6.3 REF D=4.5 max. E=2.5 REF F=1.2 REF

RECOMMENDED PATTERNS

UNIT : mm



H= 2.80 G= 6.10 I = 2.00 J =2.00

FEATURES

- Low profile (4.50mm max. height) and 8.3mmx8.3mm max. square.
- Magnetically shielded and low DC resistance .
- Tape and Reel packaging for pick and place assembly .
- Ideal for a variety of DC-DC converter inductor , LCD panels , DVD players Computer and portable power devices applications .



SDC8D43HP SERIES

SMD Shielded Power Inductors



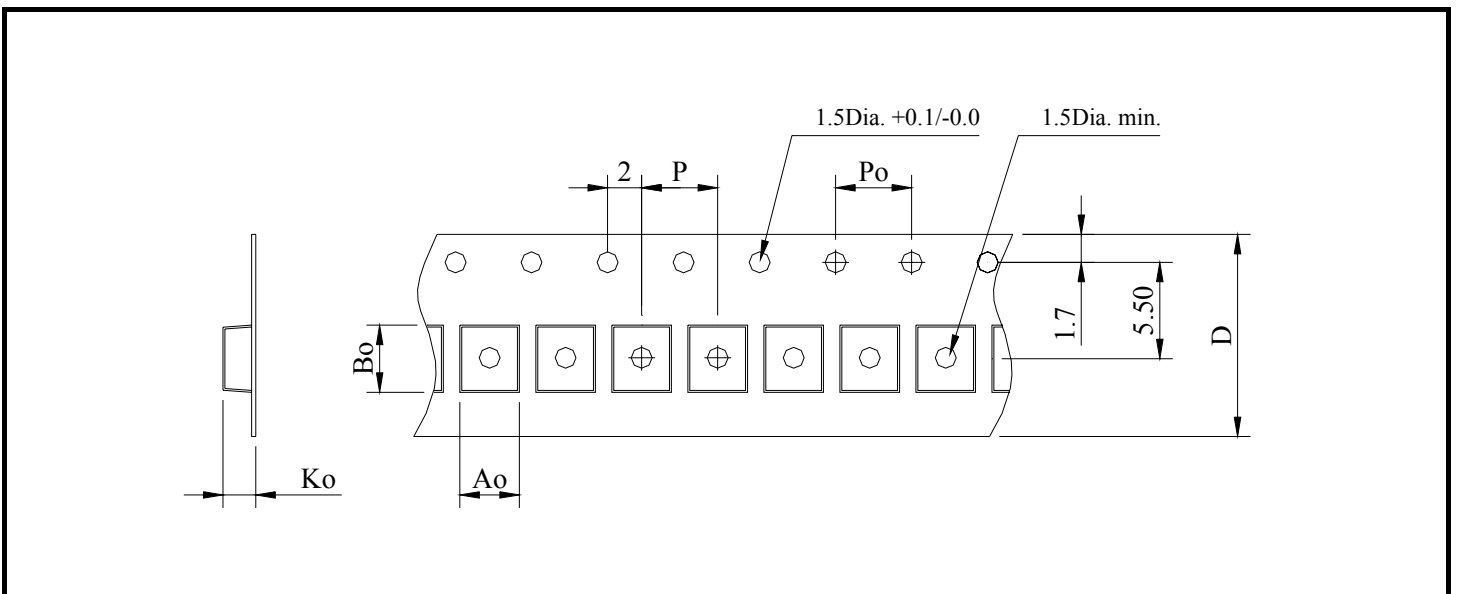
RoHS Compliant

ELECTRICAL CHARACTERISTICS :

PART NUMBER	INDUCTANCE (μ H)	DCR (m Ω) (Max.)	Isat (A) (Max.)	Irms (A) (Max.)	TEST FREQ. (f)
SDC8D43HP-1R2N-LF	1.2 \pm 30%	16.5	12.6	5.60	100KHz
SDC8D43HP-2R7N-LF	2.7 \pm 30%	19.5	8.6	5.10	100KHz
SDC8D43HP-4R7N-LF	4.7 \pm 30%	27.0	6.2	3.90	100KHz
SDC8D43HP-6R8N-LF	6.8 \pm 30%	36.0	5.6	3.30	100KHz
SDC8D43HP-100N-LF	10 \pm 30%	53.0	4.3	2.50	100KHz
SDC8D43HP-150N-LF	15 \pm 30%	75.0	3.7	2.00	100KHz
SDC8D43HP-220N-LF	22 \pm 30%	125	3.0	1.50	100KHz
SDC8D43HP-330N-LF	33 \pm 30%	150	2.5	1.40	100KHz
SDC8D43HP-470N-LF	47 \pm 30%	238	2.0	1.20	100KHz
SDC8D43HP-680N-LF	68 \pm 30%	363	1.6	0.80	100KHz

- Isat : DC current at which the inductance drops 35% (typ) from its value without current.
- Irms: The actual current when temperature of coil becomes Δ 40°C . (Ta=+20°C)
- Operating temperature range -40°C to +85°C , Electrical specifications at 20°C.

PACKAGING SPECIFICATION



STAYLE	Q' TY (PCS)	DIMENSIONS (m/m)					
		Ao	Bo	Ko	P	Po	D \pm 0.3
13-16	500	10.5	8.2	4.7	16.0	4.00	16.0