



SDC8D28HP SERIES

SMD Shielded Power Inductors



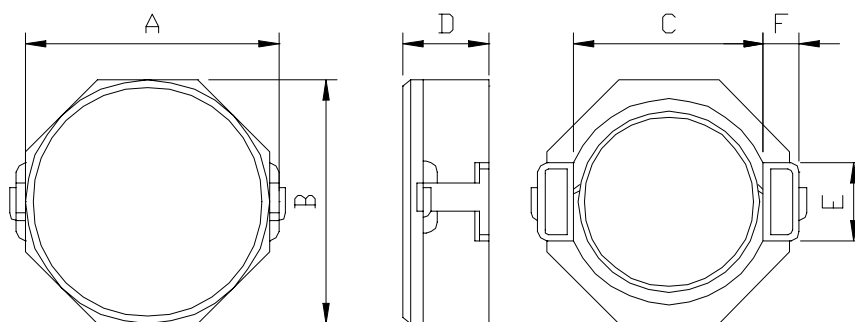
RoHS Compliant

PART NUMBERING SYSTEM

SDC	8D28HP	—	3R3N	—	LF
TYPE	DIMENSIONS		INDUCTANCE		LEAD FREE

SHAPES AND DIMENSIONS

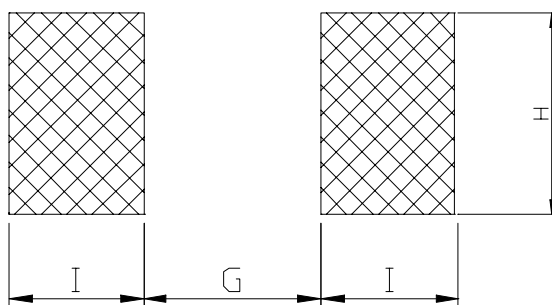
UNIT : mm



A=8.3 max. B=8.3 max. C=6.3 REF D=3.0 max. E=2.5 REF F=1.2 REF

RECOMMENDED PATTERNS

UNIT : mm



H= 2.80 G= 6.10 I = 2.00 J =2.00

FEATURES

- Low profile (3.00mm max. height) and 8.3mmx8.3mm max. square.
- Magnetically shielded and low DC resistance .
- Tape and Reel packaging for pick and place assembly .
- Ideal for a variety of DC-DC converter inductor , LCD panels , DVD players Computer and portable power devices applications .



SDC8D28HP SERIES

SMD Shielded Power Inductors



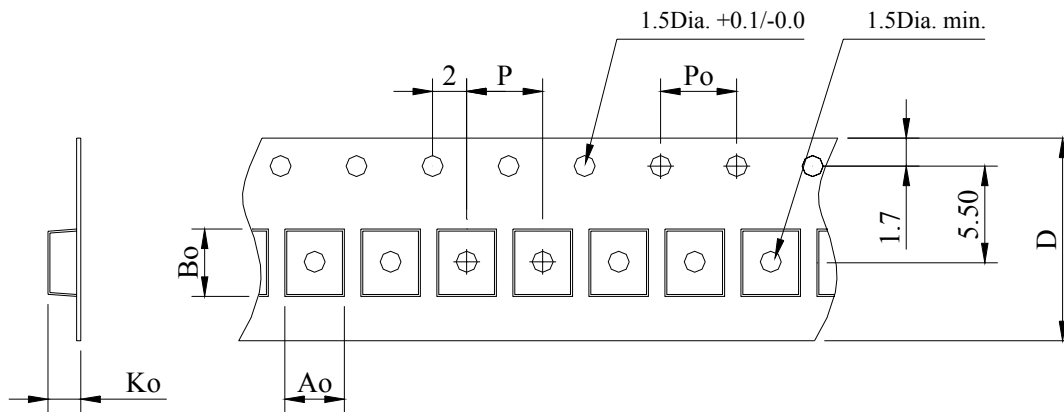
RoHS Compliant

ELECTRICAL CHARACTERISTICS :

PART NUMBER	INDUCTANCE (μ H)	DCR (m Ω) (Max.)	Isat (A) (Max.)	Irms (A) (Max.)	TEST FREQ. (f)
SDC8D28HP-3R3N-LF	3.3 \pm 30%	35	6.50	3.80	100KHz
SDC8D28HP-4R7N-LF	4.7 \pm 30%	40	4.50	3.60	100KHz
SDC8D28HP-7R3N-LF	7.3 \pm 30%	66	4.00	2.40	100KHz
SDC8D28HP-100N-LF	10 \pm 30%	78	3.40	2.10	100KHz
SDC8D28HP-150N-LF	15 \pm 30%	125	2.80	1.70	100KHz
SDC8D28HP-220N-LF	22 \pm 30%	182	2.50	1.35	100KHz
SDC8D28HP-330N-LF	33 \pm 30%	286	1.90	1.10	100KHz
SDC8D28HP-470N-LF	47 \pm 30%	345	1.60	1.00	100KHz
SDC8D28HP-680N-LF	68 \pm 30%	520	1.30	0.80	100KHz

- Isat : DC current at which the inductance drops 35% (typ) from its value without current.
- Irms: The actual current when temperature of coil becomes Δ 40°C . (Ta=+20°C)
- Operating temperature range -40°C to +85°C , Electrical specifications at 20°C.
- Packing : 13" reel, machine-ready ,embossed plastic tape (1,000 parts per full reel).

PACKAGING SPECIFICATION



STAYLE	Q' TY (PCS)	DIMENSIONS (m/m)					
		A_o	B_o	K_o	P	P_o	$D\pm 0.3$
13-16	1,000	10.5	8.2	3.1	16.0	4.00	16.0