



SDC4D18 SERIES

SMD Shielded Power Inductors



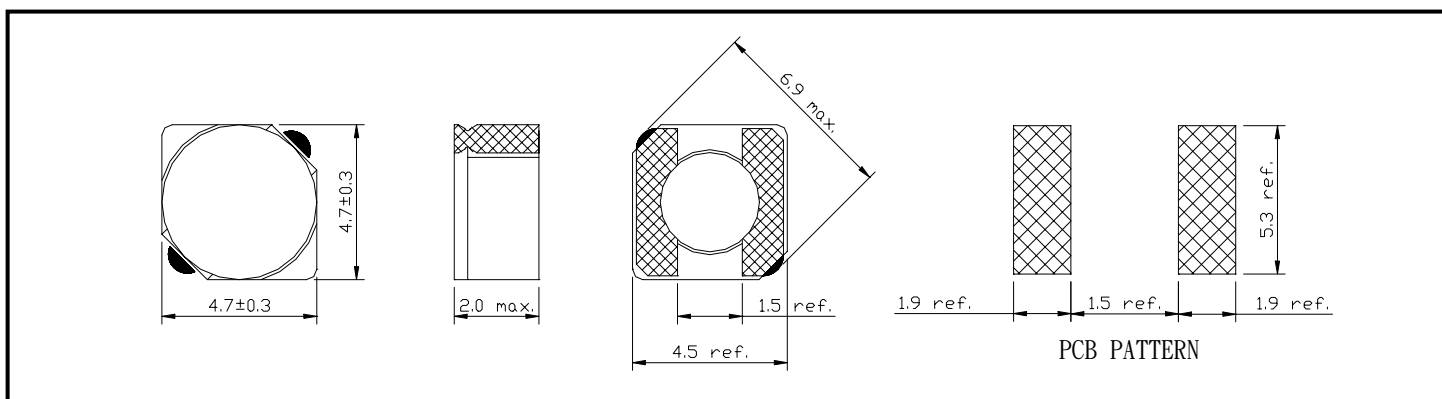
RoHS Compliant

PART NUMBERING SYSTEM

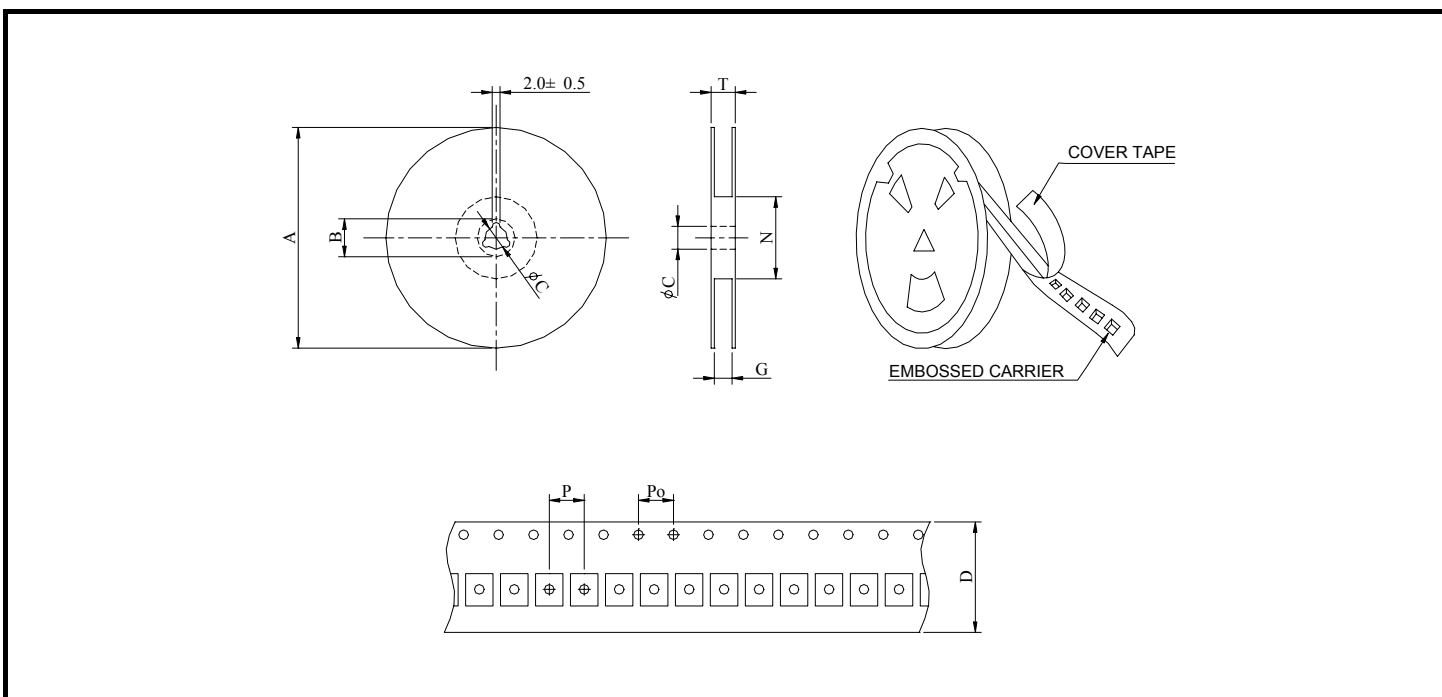
SDC	4 D 1 8	—	1 R 0 N	—	LF
TYPE	DIMENSIONS		INDUCTANCE		LEAD FREE

SHAPES AND DIMENSIONS

UNIT : mm



PACKAGING SPECIFICATION



SERIES	STAYLE	Q' TY (PCS)	DIMENSIONS (m/m)								
			A	B ± 0.8	C ± 0.5	D	G $^{+0}$	N $^{-0}$	P	P ₀	T
SDC4D18	13-16	2000	330	21	13	16	18	50	8	4	22.4



SDC4D18 SERIES

SMD Shielded Power Inductors



RoHS Compliant

SPECIFICATION TABLE

PART NUMBER	INDUCTANCE (μ H)	DCR (m Ω) (Max.)	IDC (A)	TEST FREQ. (f)
SDC4D18-1R0N-LF	1.0 \pm 30%	45	1.72	7.96MHz
SDC4D18-2R2N-LF	2.2 \pm 30%	75	1.32	7.96MHz
SDC4D18-2R7N-LF	2.7 \pm 30%	105	1.28	7.96MHz
SDC4D18-3R3N-LF	3.3 \pm 30%	110	1.04	7.96MHz
SDC4D18-3R9N-LF	3.9 \pm 30%	155	0.88	7.96MHz
SDC4D18-4R7N-LF	4.7 \pm 30%	162	0.84	7.96MHz
SDC4D18-5R6N-LF	5.6 \pm 30%	170	0.80	7.96MHz
SDC4D18-6R8N-LF	6.8 \pm 30%	180	0.76	7.96MHz
SDC4D18-8R2N-LF	8.2 \pm 30%	190	0.68	7.96MHz
SDC4D18-100N-LF	10 \pm 30%	200	0.61	100KHz
SDC4D18-120N-LF	12 \pm 30%	210	0.56	100KHz
SDC4D18-150N-LF	15 \pm 30%	240	0.50	100KHz
SDC4D18-180N-LF	18 \pm 30%	338	0.48	100KHz
SDC4D18-220M-LF	22 \pm 20%	397	0.41	100KHz
SDC4D18-270M-LF	27 \pm 20%	441	0.35	100KHz
SDC4D18-330M-LF	33 \pm 20%	694	0.32	100KHz
SDC4D18-390M-LF	39 \pm 20%	709	0.30	100KHz

- Isat : DC current at which the inductance drops 35% (typ) from its value without current.
- Irms: The actual current when temperature of coil becomes Δ 40 $^{\circ}$ C . (Ta=+20 $^{\circ}$ C)
- Operating temperature range -40 $^{\circ}$ C to +85 $^{\circ}$ C , Electrical specifications at 20 $^{\circ}$ C.
- Packing : 13" reel, machine-ready ,embossed plastic tape (2,000 parts per full reel)..