



SDC4D14 SERIES

Low Profile Shielded Power Inductors



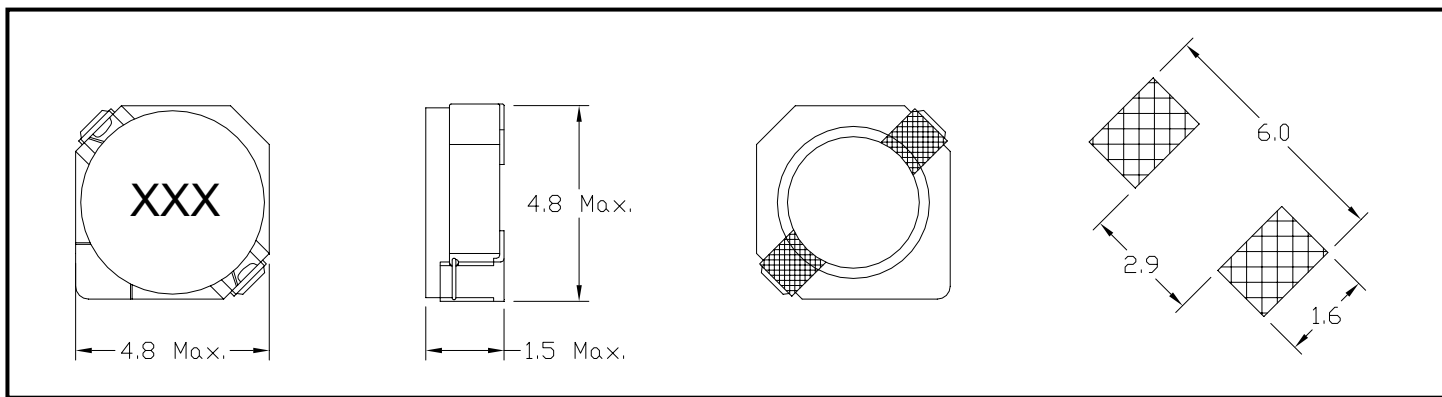
RoHS Compliant

PART NUMBERING SYSTEM

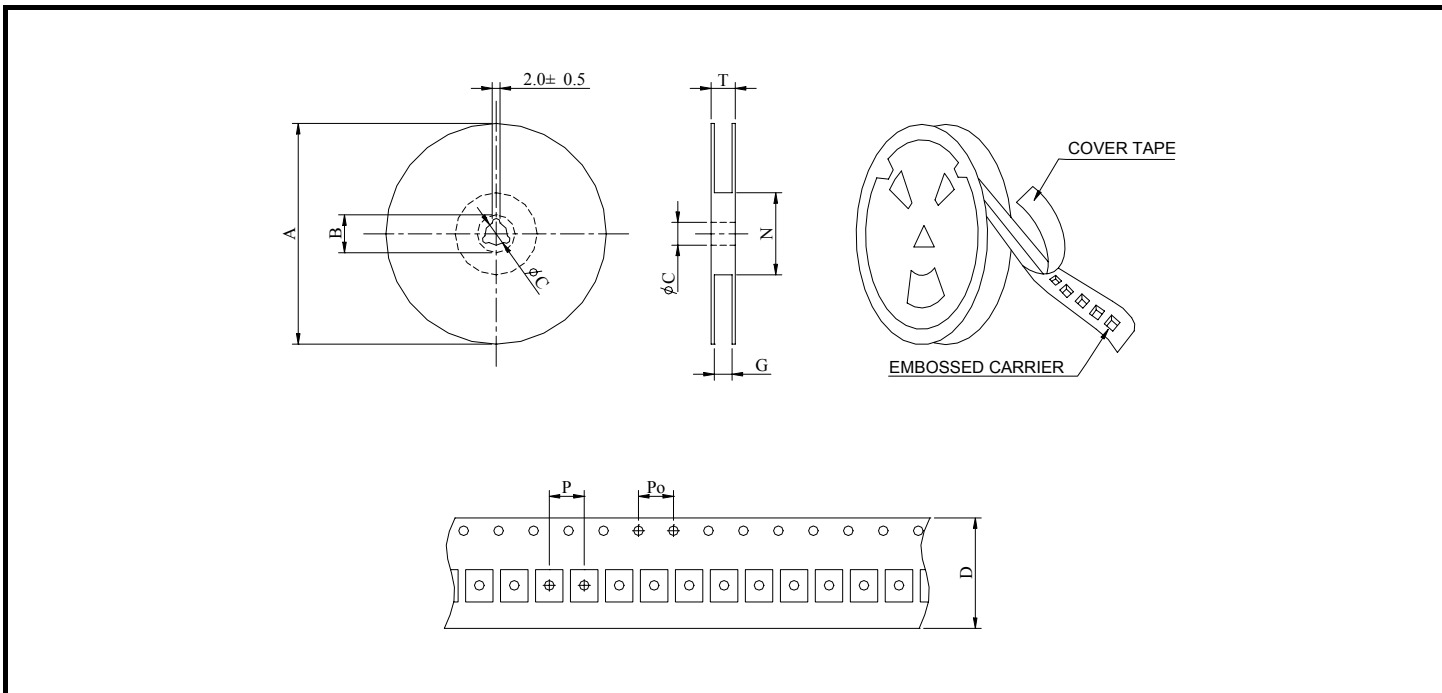
SDC	4 D 1 4	—	3 R 3 N	—	LF
TYPE	DIMENSIONS		INDUCTANCE		LEAD FREE

SHAPES AND DIMENSIONS

UNIT : mm



PACKAGING SPECIFICATION



SERIES	STAYLE	Q' TY (PCS)	DIMENSIONS (m/m)								
			A	B±0.8	C±0.5	D	G ⁺⁰	N ⁻⁰	P	Po	T
SDC4D14	13-16	2000	330	21	13	16	18	50	8	4	22.4



SDC4D14 SERIES

Low Profile Shielded Power Inductors



RoHS Compliant

SPECIFICATION TABLE

PART NUMBER	INDUCTANCE (μ H)	DCR (m Ω) (Max.)	Isat (A) (Max.)	Irms (A) (Max.)	TEST FREQ. (f)
SDC4D14-2R2N-LF	2.2 \pm 30%	48	1.60	2.35	100KHz
SDC4D14-3R0N-LF	3.0 \pm 30%	63	1.40	2.15	100KHz
SDC4D14-4R7N-LF	4.7 \pm 30%	90	1.10	1.55	100KHz
SDC4D14-6R8N-LF	6.8 \pm 30%	125	0.90	1.20	100KHz
SDC4D14-100N-LF	10 \pm 30%	185	0.73	0.90	100KHz
SDC4D14-150N-LF	15 \pm 30%	270	0.59	0.74	100KHz
SDC4D14-220N-LF	22 \pm 30%	400	0.50	0.63	100KHz
SDC4D14-330N-LF	33 \pm 30%	560	0.41	0.50	100KHz
SDC4D14-470N-LF	47 \pm 30%	780	0.35	0.42	100KHz
SDC4D14-680N-LF	68 \pm 30%	1200	0.28	0.33	100KHz

- Isat : DC current at which the inductance drops 35% (typ) from its value without current.
- Irms: The actual current when temperature of coil becomes $\Delta 40^{\circ}\text{C}$. (Ta=+20 $^{\circ}\text{C}$)
- Operating temperature range -40 $^{\circ}\text{C}$ to +85 $^{\circ}\text{C}$, Electrical specifications at 20 $^{\circ}\text{C}$.
- Packing : 13" reel, machine-ready ,embossed plastic tape (2,000 parts per full reel).