



SDC104RM SERIES ~High Current Power Inductors

New Products



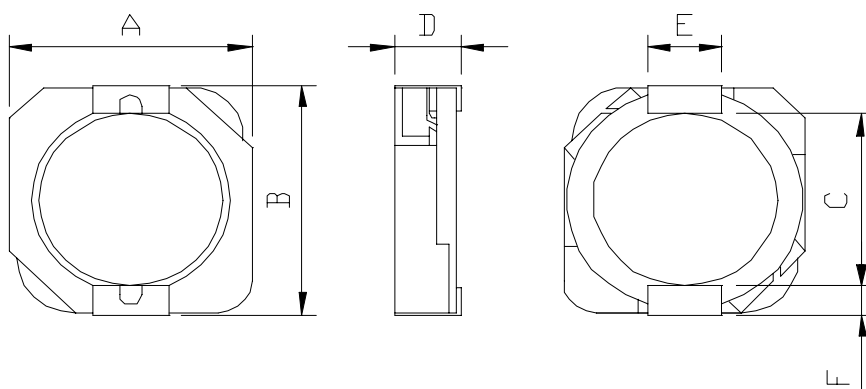
RoHS Compliant

PART NUMBERING SYSTEM

SDC	104RM	—	2 2 0 M	—	LF
TYPE	DIMENSIONS		INDUCTANCE		LEAD FREE

SHAPES AND DIMENSIONS

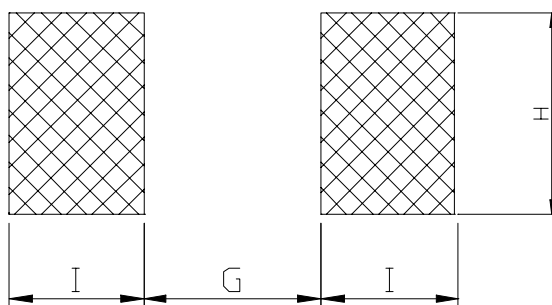
UNIT : mm



A=10.3 max. B=10.4 max. C=7.70 REF D=4.5 max. E=3.0 REF F=1.2 REF

RECOMMENDED PATTERNS

UNIT : mm



H = 3.20 G = 7.30 I = 1.60 J = 1.60

FEATURES

- Low profile (4.5mm max. height) and 10.3mmx10.5mm max. square.
- Magnetically shielded and High Current with low DC resistance ..
- Ideal for a variety of DC-DC converter inductor , LCD panels , DVD players Computer and portable power devices applications .



SDC104RM SERIES ~High Current Power Inductors

New Products



RoHS Compliant

ELECTRICAL CHARACTERISTICS :

PART NUMBER	INDUCTANCE (μ H)	DCR (m Ω) (Max.)	Isat (A) (Max.)	Irms (A) (Max.)	TEST FREQ. (f)
SDC104RM-1R0M-LF	1.0 \pm 20%	5.9	13.6	9.7	100KHz
SDC104RM-1R8M-LF	1.8 \pm 20%	7.6	10.4	9.5	100KHz
SDC104RM-2R8M-LF	2.8 \pm 20%	10.7	8.3	6.1	100KHz
SDC104RM-3R7M-LF	3.7 \pm 20%	14.2	7.0	5.3	100KHz
SDC104RM-4R7M-LF	4.7 \pm 20%	16.2	6.1	5.2	100KHz
SDC104RM-6R4M-LF	6.4 \pm 20%	22.9	5.2	4.8	100KHz
SDC104RM-8R2M-LF	8.2 \pm 20%	32.5	8.0	5.0	100KHz
SDC104RM-100M-LF	10 \pm 20%	26.5	4.3	4.5	100KHz
SDC104RM-150M-LF	15 \pm 20%	49.2	3.3	3.7	100KHz
SDC104RM-220M-LF	22 \pm 20%	66.0	5.0	4.5	100KHz
SDC104RM-270M-LF	27 \pm 20%	88.3	2.7	2.4	100KHz
SDC104RM-330M-LF	33 \pm 20%	102	2.4	2.1	100KHz
SDC104RM-470M-LF	47 \pm 20%	191	3.3	3.0	100KHz
SDC104RM-101M-LF	100 \pm 20%	270	2.5	2.25	100KHz

- Isat : DC current at which the inductance drops 20% (typ) from its value without current.
- Iirms: The actual current when temperature of coil becomes Δ 40°C . (Ta=+20°C)
- Operating temperature range -55°C to +125°C , Electrical specifications at 20°C.
- Packing : 13" reel, machine-ready ,embossed plastic tape (1,000 parts per full reel).