



SBS7030 SERIES ~ Shielded SMD Power Inductors



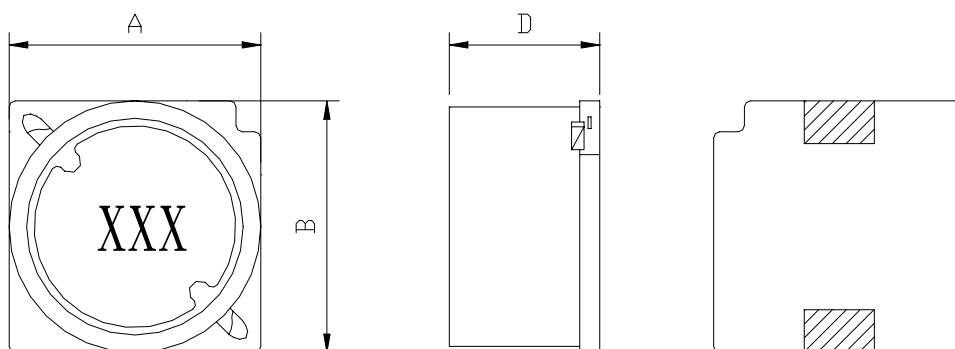
RoHS Compliant

PART NUMBERING SYSTEM

SBS	7030	—	100M	—	LF
TYPE	DIMENSIONS		INDUCTANCE		LEAD FREE

SHAPES AND DIMENSIONS

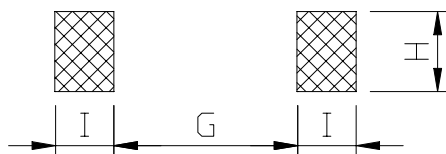
UNIT : mm



A=7.2 Max. B=7.2 Max. D=3.22 Max.

RECOMMENDED PATTERNS

UNIT : mm



G=4.9 H=2.2 I=1.5

FEATURES

- Magnetically shielded construction
- Suitable for large current
- Ideal for a variety of DC-DC converter inductor applications .
- RoHS compliant .



SBS7030 SERIES ~ Shielded SMD Power Inductors



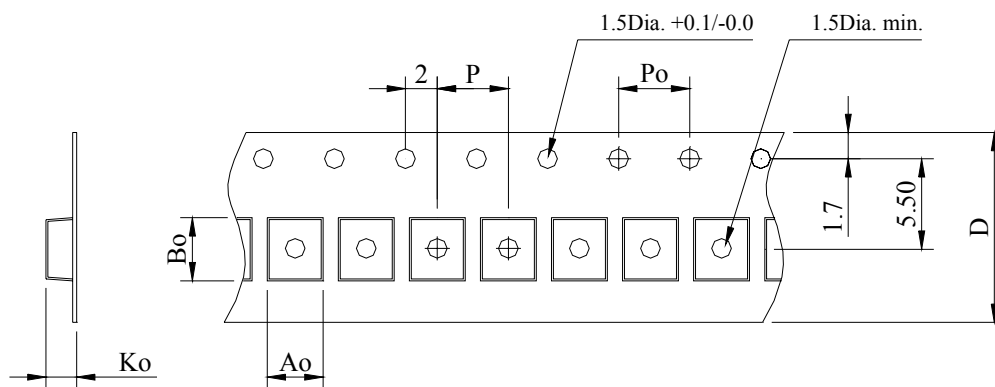
RoHS Compliant

SPECIFICATION TABLE

PART NUMBER	INDUCTANCE (μ H)	DCR (Ω) (max)	IDC (A) (max)	TEST FREQ. (f)
SBS7030-3R3M-LF	3.3 \pm 20%	0.0276	1.8	100KHz
SBS7030-4R7M-LF	4.7 \pm 20%	0.0432	1.6	100KHz
SBS7030-6R8M-LF	6.8 \pm 20%	0.0492	1.5	100KHz
SBS7030-100M-LF	10 \pm 20%	0.0636	1.3	100KHz
SBS7030-150M-LF	15 \pm 20%	0.101	1.0	100KHz
SBS7030-220M-LF	22 \pm 20%	0.132	0.86	100KHz
SBS7030-330M-LF	33 \pm 20%	0.192	0.65	100KHz
SBS7030-470M-LF	47 \pm 20%	0.288	0.57	100KHz
SBS7030-680M-LF	68 \pm 20%	0.372	0.49	100KHz
SBS7030-101M-LF	100 \pm 20%	0.540	0.35	100KHz

- DC current at which the inductance drops 10% (typ) from its value without current.
- Operating temperature range -40°C to +85°C ,
- Electrical specifications at 25°C.

PACKAGING SPECIFICATION



STAYLE	Q' TY (PCS)	DIMENSIONS (m/m)					
		A_o	B_o	K_o	P	P_o	$D\pm 0.3$
13"	1,000	7.50	7.50	3.90	8.00	4.00	12.0