



SDS63 SERIES

SMD Shielded Power Inductors



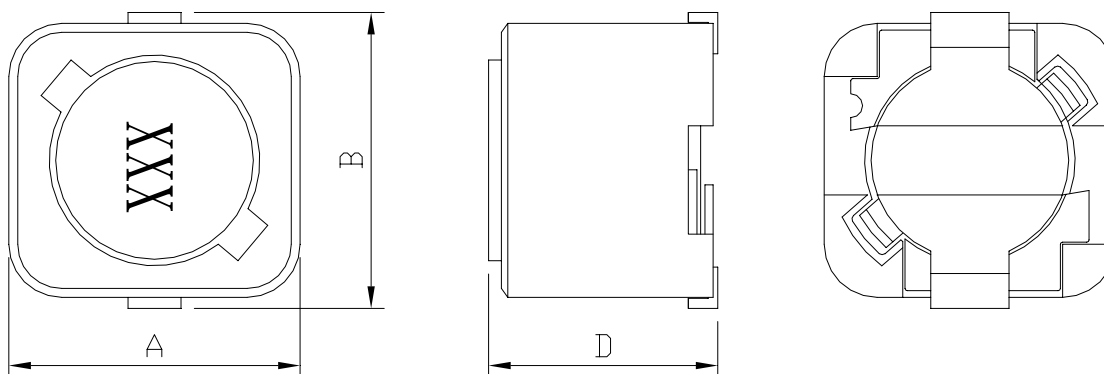
RoHS Compliant

PART NUMBERING SYSTEM

<u>SDS</u>	<u>6 3</u>	—	<u>680M</u>	—	<u>LF</u>
TYPE	DIMENSIONS		INDUCTANCE		LEAD FREE

SHAPES AND DIMENSIONS

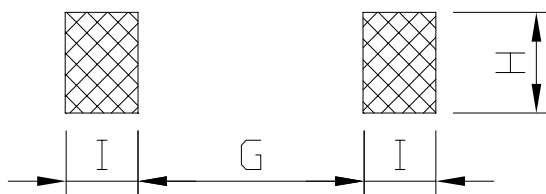
UNIT : mm



A=6.5 Max. B=6.9 Max. D=3.0 Max.

RECOMMENDED PATTERNS

UNIT : mm



G=4.6 B=1.9 D=1.4



SDS63 SERIES

SMD Shielded Power Inductors



RoHS Compliant

SPECIFICATION TABLE

PART NUMBER	INDUCTANCE (μ H)	DCR (Ω) (Max.)	IDC (A) (Max.)	TEST FREQ. (f)
SDS63-2R9M-LF	2.9 \pm 20%	0.07	1.94	7.96MHz
SDS63-4R0M-LF	4.0 \pm 20%	0.08	1.63	7.96MHz
SDS63-5R5M-LF	5.5 \pm 20%	0.10	1.40	7.96MHz
SDS63-100M-LF	10 \pm 20%	0.15	1.10	1KHz
SDS63-120M-LF	12 \pm 20%	0.20	1.00	1KHz
SDS63-150M-LF	15 \pm 20%	0.23	0.90	1KHz
SDS63-180M-LF	18 \pm 20%	0.27	0.80	1KHz
SDS63-220M-LF	22 \pm 20%	0.34	0.74	1KHz
SDS63-270M-LF	27 \pm 20%	0.38	0.66	1KHz
SDS63-330M-LF	33 \pm 20%	0.45	0.59	1KHz
SDS63-390M-LF	39 \pm 20%	0.49	0.54	1KHz
SDS63-470M-LF	47 \pm 20%	0.69	0.50	1KHz
SDS63-560M-LF	56 \pm 20%	0.78	0.46	1KHz
SDS63-680M-LF	68 \pm 20%	1.07	0.42	1KHz
SDS63-820M-LF	82 \pm 20%	1.21	0.38	1KHz
SDS63-101M-LF	100 \pm 20%	1.39	0.34	1KHz
SDS63-121M-LF	120 \pm 20%	1.90	0.31	1KHz
SDS63-151M-LF	150 \pm 20%	2.18	0.28	1KHz
SDS63-181M-LF	180 \pm 20%	2.48	0.26	1KHz
SDS63-221M-LF	220 \pm 20%	3.12	0.23	1KHz
SDS63-271M-LF	270 \pm 20%	4.30	0.22	1KHz
SDS63-331M-LF	330 \pm 20%	4.94	0.19	1KHz

- DC current at which the inductance drops 25% (typ) from its value without current.
- Operating temperature range -40°C to +85°C ,
- Electrical specifications at 20°C .



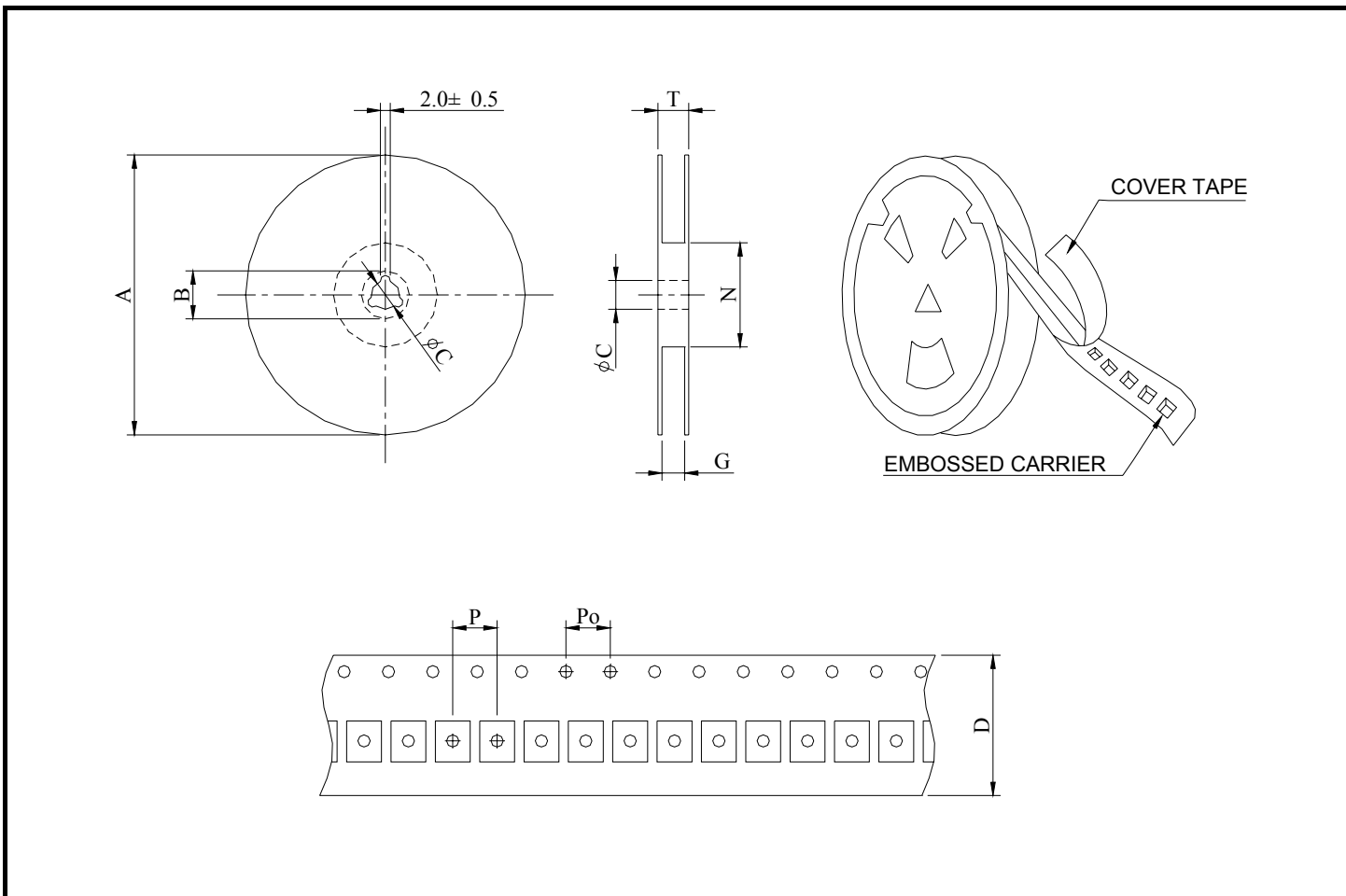
SDS63 SERIES

SMD Shielded Power Inductors



RoHS Compliant

PACKAGING SPECIFICATION



SERIES	STAYLE	Q' TY (PCS)	DIMENSIONS (m/m)								
			A	B±0.8	C±0.5	D	G ⁺⁰	N ⁻⁰	P	Po	T
SDS63	13-16	1000	330	21	13	16	18	50	8	4	22.4