



SDS6020 SERIES ~ SMD Shielded Power Inductors



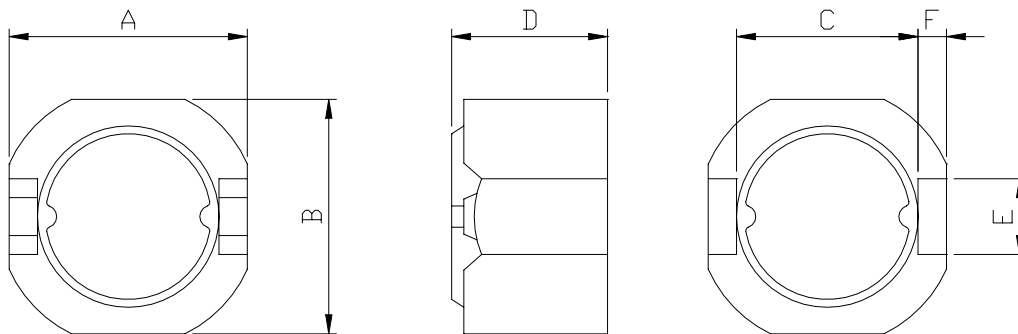
RoHS Compliant

PART NUMBERING SYSTEM

SDS	6 0 2 0	—	6 8 0 M	—	LF
TYPE	DIMENSIONS		INDUCTANCE		LEAD FREE

SHAPES AND DIMENSIONS

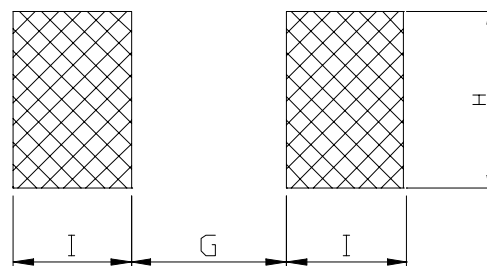
UNIT : mm



A=6.3 Max. B=6.3 Max. C=4.8 D=2.0 Max. E=2.0 F=0.6

RECOMMENDED PATTERNS

UNIT : mm



G= 4.60 H= 2.60 I = 1.00

FEATURES

- Low profile (6.2x6.3 max. square. 2.0mm max. height).
- Magnetically shielded construction and low DC resistance.
- Suitable for large current.
- Ideal for a variety of DC-DC converter inductor application.
- Lead Free and RoHS Compliant.



SDS6020 SERIES ~ SMD Shielded Power Inductors

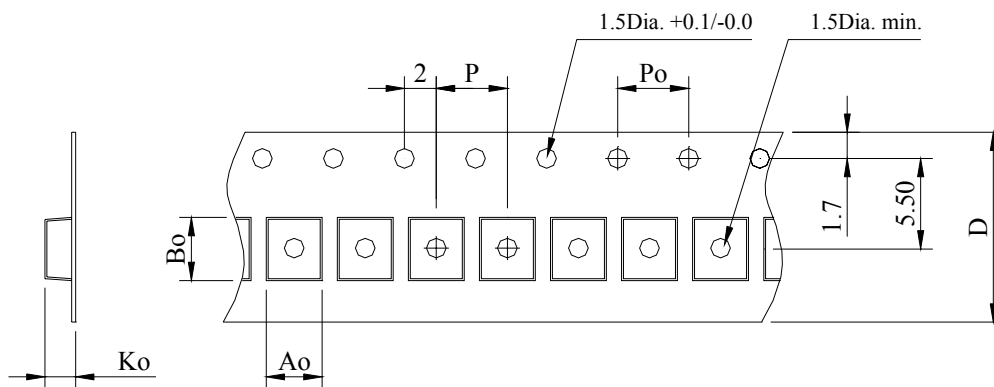


SPECIFICATION TABLE

PART NUMBER	INDUCTANCE (μ H)	DCR (m Ω) (Max.)	Isat (A) (Max.)	Irms (A) (Max.)	TEST FREQ. (f)
SDS6020-1R0M-LF	1.0 \pm 20%	17	3.50	3.70	100KHz
SDS6020-1R5M-LF	1.5 \pm 20%	21	2.94	3.17	100KHz
SDS6020-2R0M-LF	2.0 \pm 20%	29	2.47	2.47	100KHz
SDS6020-3R3M-LF	3.3 \pm 20%	47	1.99	2.10	100KHz
SDS6020-4R7M-LF	4.7 \pm 20%	66	1.59	1.63	100KHz
SDS6020-6R2M-LF	6.2 \pm 20%	74	1.49	1.53	100KHz
SDS6020-8R2M-LF	8.2 \pm 20%	102	1.25	1.31	100KHz
SDS6020-100M-LF	10 \pm 20%	118	1.22	1.15	100KHz
SDS6020-120M-LF	12 \pm 20%	154	0.99	1.17	100KHz
SDS6020-150M-LF	15 \pm 20%	179	0.94	0.87	100KHz
SDS6020-180M-LF	18 \pm 20%	207	0.83	0.95	100KHz
SDS6020-220M-LF	22 \pm 20%	253	0.80	0.78	100KHz
SDS6020-270M-LF	27 \pm 20%	331	0.65	0.68	100KHz
SDS6020-330M-LF	33 \pm 20%	368	0.63	0.64	100KHz
SDS6020-390M-LF	39 \pm 20%	473	0.55	0.59	100KHz
SDS6020-470M-LF	47 \pm 20%	542	0.50	0.55	100KHz

- Isat : DC current at which the inductance drops 30%(typ) from its value without current.
- I rms : : Average current for 40°C temperature rise from 20°C ambient.
- Operating temperature range -40°C to +85°C , Electrical specifications at 20°C .

PACKAGING SPECIFICATION



STAYLE	Q' TY (PCS)	DIMENSIONS (m/m)					
		Ao	Bo	Ko	P	Po	D \pm 0.3
13"	1,500	5.72	5.72	2.50	8.00	4.00	12.0